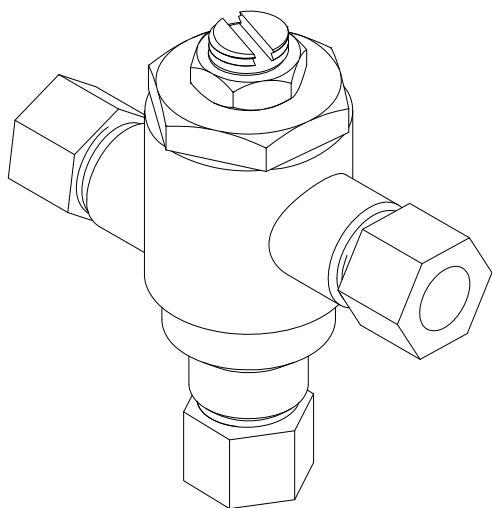
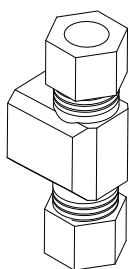


170A-LF

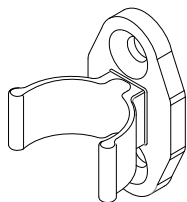


Options:

- STSTL REC- Stainless steel cabinet, #4 finish, recessed
- STSTL EXP- Stainless steel cabinet, #4 finish, exposed
- BP- Cold water By-Pass (shipped loose)
- BRKT- mounting bracket (shipped loose)
- CP- Chrome plated finish



BP option



BRKT option

* This product is certified to meet Low Lead requirements of wetted surface area containing less than 0.25% lead by weight

Application:

The Model 170A-LF is a high performance thermostatic temperature limiting device used to supply single outlets. Can be used to supply one sensor faucet or one two handle manual faucet.

Features:

- Certified to ASSE 1070 to control down to 0.25 GPM
- Eco-Mix Certified Lead-Free* construction
- Integral inlet checks and stainless steel screens
- Includes locknut to prevent accidental adjustment
- Easy 3/8" tubing or flex hose installation

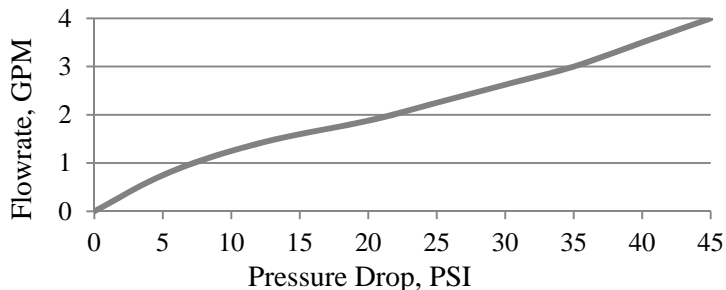
Specifications:

- Minimum flow: 0.25 GPM (0.95 l/Min) Certified to ASSE
- Maximum flow: 4 GPM
- Maximum pressure: 125 PSI (8.6 BAR)
- Maximum hot water temperature: 180°F (82°C)
- Hot water inlet temperature range: 120-180°F (49-82°C)
- Cold water inlet temperature range: 33-80°F (1-27°C)
- Temperature adjustment range: 95-120°F (35-49°C)

Certifications:

ASSE 1070-2015  CSA B125.70-15 

PRESSURE DROP							
5	10	15	20	30	45	PSI	
.35	.70	1.05	1.4	2.1	3.1	BAR	
0.75	1.25	1.6	1.88	2.63	4	GPM	
2.84	4.73	6.06	7.1	10	15	L/MIN	

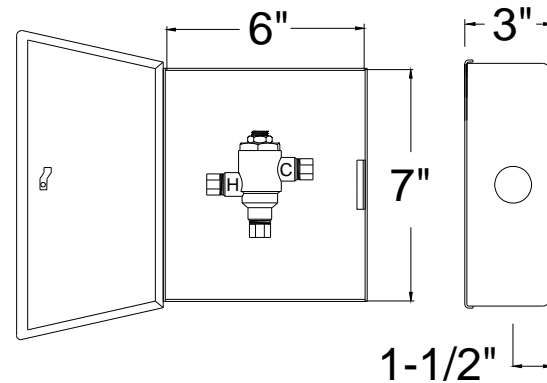
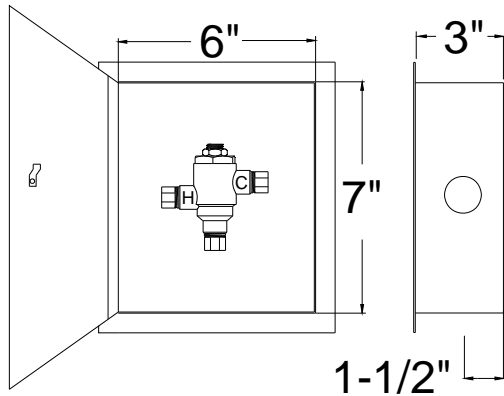
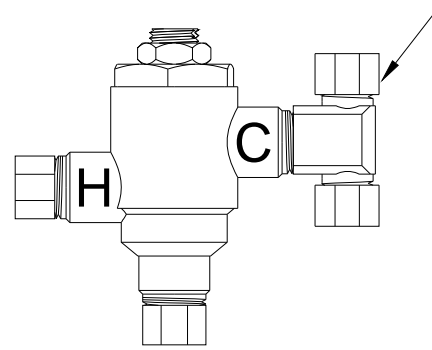
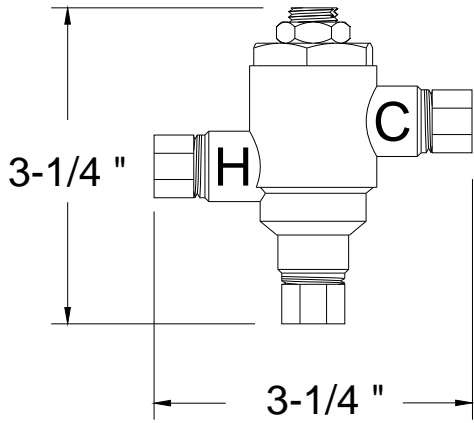


Engineer's Approval	Job # _____
	Arch/Eng. _____
	Contractor _____



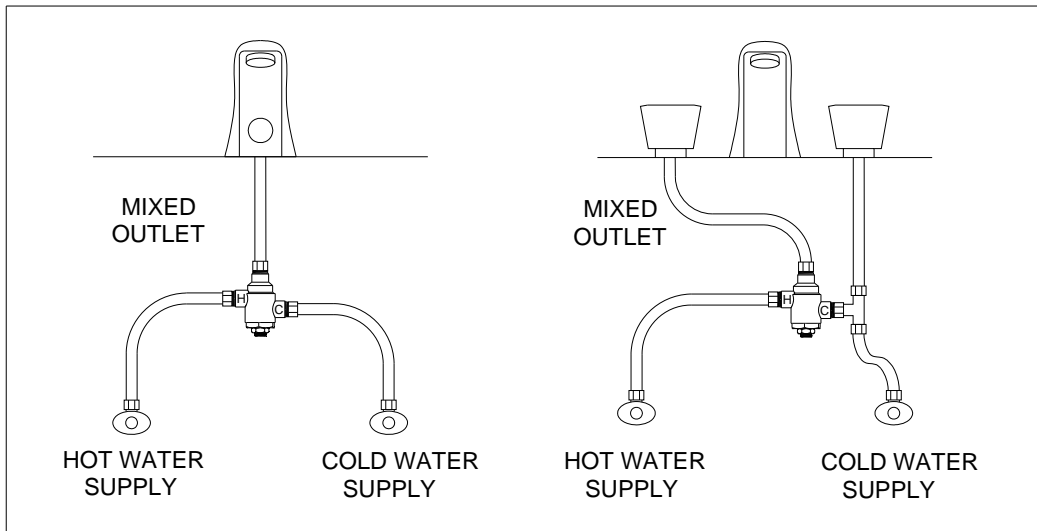
1360 Elmwood Avenue, Cranston, RI 02910 USA
 Phone: 401.461.1200 Fax: 401.941.5310
 Email: info@leonardvalve.com
 Web Site: <http://www.leonardvalve.com>

BP-OPTION



170A-LF-STSTL-REC

170A-LF-STSTL-EXP



170A-LF

170A-LF-BP



Note: Leonard Valve Company reserves the right of product, or design modifications without notice or obligation.

1360 Elmwood Avenue, Cranston, RI 02910 USA

Phone: 401.461.1200 Fax: 401.941.5310

Email: info@leonardvalve.com

Web Site: <http://www.leonardvalve.com>

© 2017 Leonard Valve Company
Printed in USA