

K



**JAY R. SMITH MFG. CO.**  
 MEMBER OF MORRIS GROUP INTERNATIONAL  
 POST OFFICE BOX 3237  
 MONTGOMERY, ALABAMA 36109-0237 (USA)  
 TEL: 334-277-8520 FAX: 334-272-7396 www.jrsmith.com



MEMBER OF:



LOCATION

DRAWING NUMBER  
s2692SIZE  
ASCALE:  
NONEDATE:  
5-20-08APPROVED BY:  
JMCHECKED BY:  
CLDRAWN BY:  
RN

2692

FIGURE  
NUMBER

WE CAN ASSUME NO RESPONSIBILITY FOR USE OF SUPERSEDED OR VOID DATA

DIMENSIONS ARE SUBJECT TO MANUFACTURERS TOLERANCE AND CHANGE WITHOUT NOTICE

## QUAD CLOSE® TRAP SEAL

**FUNCTION:** The Quad Close Trap Seal forms a barrier to minimize the evaporation of the trap seal of a floor drain. The Quad Close Trap Seal will open to allow drainage and close when there is no flow. It is for use in floor drain outlets or the adjustable strainer throats.

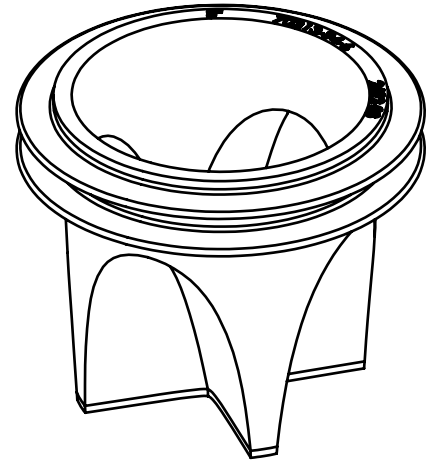
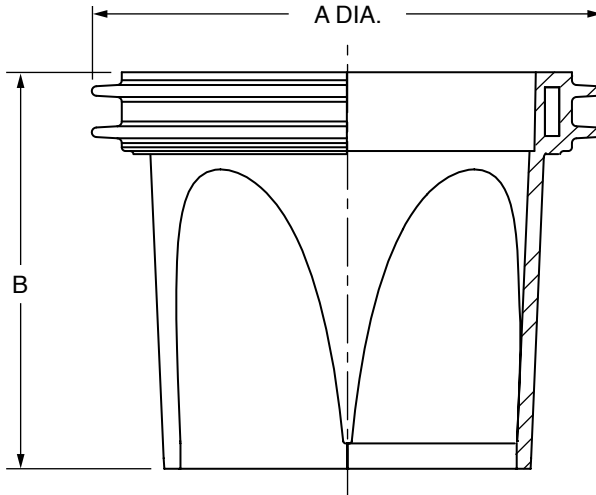


	FIG. NO.	A (Pipe Size)	B	IAPMO LISTED ①	ASSE LISTED ①	GPM FLOW RATE ③
<input type="checkbox"/>	2692-0150	01.5(38)	2.09(53)	—	—	6.0 (22.7 L/M)
<input type="checkbox"/>	2692-02	02(50)	2.66(68)	FILE # 7479	REC.#1435 AF-GW ⑤	12.0 (45.4 L/M)
<input type="checkbox"/>	2692-03	03(75)	2.66(68)	FILE # 7479	REC.#1435 AF-GW ⑤	34.0 (128.7 L/M)
<input type="checkbox"/>	2692-0350 ②	0350(89) ②	2.66(68)	FILE # 7479	REC.#1435 AF-GW ⑤	51.0 (193.06 L/M)
<input type="checkbox"/>	2692-04	04(100)	2.66(68)	FILE # 7479	REC.#1435 AF-GW ⑤	73.0 (276.4 L/M)
<input type="checkbox"/>	2692-06	06(150)	3.66(93)	—	—	215.0 (814.0 L/M)

**INSTALLATION:** The 01.5(38), 02(50), 03(75), 04(100) & 06(150) Quad Close Trap Seal sizes install in the drain outlet. To install, simply insert the Quad Close Trap Seal in the drain outlet or ② throat of strainer until the top of it is flush with top of drain outlet or strainer throat. See reverse side of submittal for illustration.

### NOTES:

- ① Tested by The IAPMO R&T Product Certification Agency to ASSE Standard #1072, Barrier Type Floor Drain Trap Seal Protection Devices. All sections of the Standard were successfully passed.
- ② The 0350 (89) Quad Close Trap seal size installs in the throat of Smith adjustable strainers. See reverse side of submittal for illustration.
- ③ Required flow rates per ASSE Standard #1072, Section I. All sizes meets or exceeds these flow rates.
- ④ Do not use in applications where the room/space has an atmospheric pressure less than the ambient pressure of the exterior of the room/space or building.
- ⑤ AF-GW represents floor designation/rated for all floor types per ASSE 1072, Section II.
- ⑥ Copies of the listing certificates and/or ASSE 1072 Test Report available upon request.

ONTARIO – BMEC  
AUTHORIZATION NO. 14-04-370

**NOTE:** Dimensions shown in parentheses are in millimeters.

Patent No. 8,844,572

REV.	DATE	DESCRIPTION	BY	CKD. BY	WEIGHT POUNDS	VOLUME CUBIC FEET	FIGURE NUMBER <b>2692</b>
K	9-9-16	Revised Note	TBW	JM			
J	8-10-15	Added Note	TBW	CL			
H	8-26-14	Revised Table	TBW	JM			
G	7-30-14	Added L/M	TBW	JM			

E



**JAY R. SMITH MFG. CO.®**  
 MEMBER OF MORRIS GROUP INTERNATIONAL  
 POST OFFICE BOX 3237  
 MONTGOMERY, ALABAMA 36109-0237 (USA)  
 TEL: 334-277-8520 FAX: 334-272-7396 www.jrsmith.com



MEMBER OF:



LOCATION

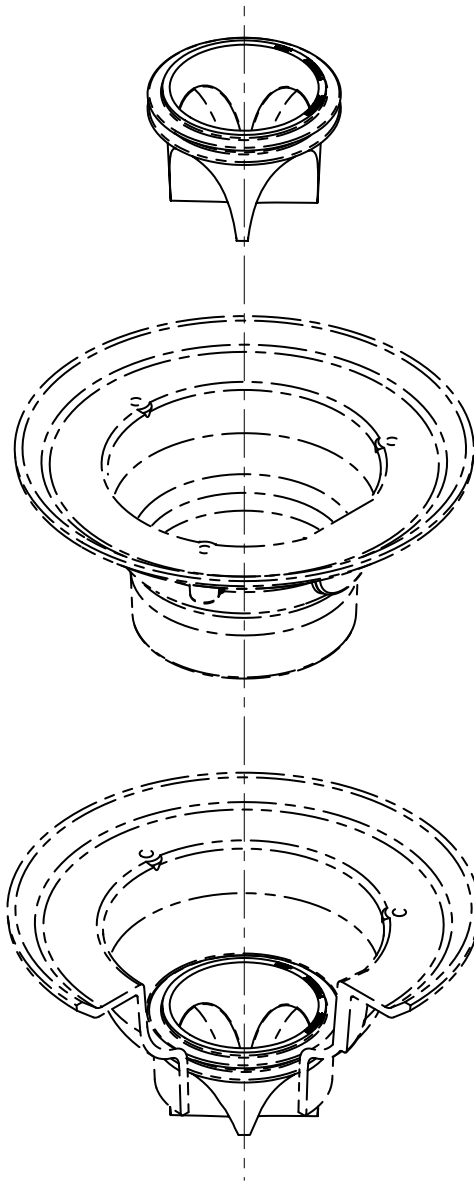
DRAWING NUMBER  
s2692 BSSIZE  
ASCALE:  
NONEDATE:  
5-20-08APPROVED BY:  
JMCHECKED BY:  
CLDRAWN BY:  
RN

WE CAN ASSUME NO RESPONSIBILITY FOR USE OF SUPERSEDED OR VOID DATA

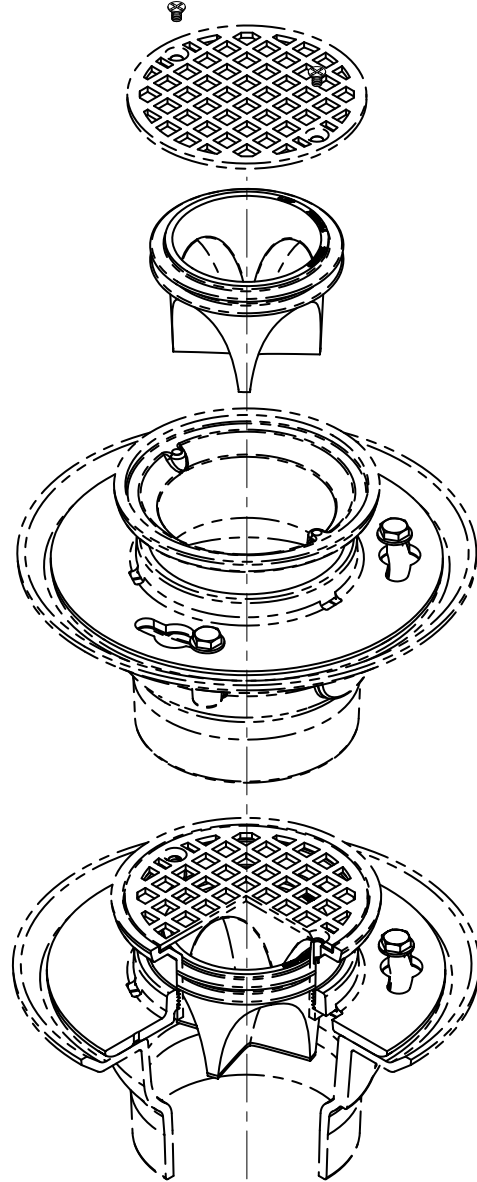
DIMENSIONS ARE SUBJECT TO MANUFACTURERS TOLERANCE AND CHANGE WITHOUT NOTICE

# QUAD CLOSE® TRAP SEAL

## Installation Illustrations



Installation in Drain  
 Body Outlet  
 0150(38), 02(50), 03(75), 04(100) & 06(150) Sizes



Installation in Strainer  
 Throat ②  
 0350(89) Size

### INSTALLATION NOTES:

1. First clean the drain and pipe of any debris that could cause an odor or interfere with the Quad Close sealing properly.
2. Insert the Quad Close into the drain outlet, drain pipe or throat of adjustable strainer by pushing until it is flush with top of drain outlet, drain pipe or throat of adjustable strainer.
3. Once in place, open the Quad Close to relieve any back pressure between it and the p-trap water seal. (Note: Installing the Quad Close in the closed position will force water out of the p-trap.)
4. To ensure the p-trap water seal is fully primed pour water slowly down the drain until the water level no longer rises below the drain.

2692 BS

FIGURE  
NUMBER

E	3-30-15	Added Installation Notes	TBW	CL	WEIGHT	VOLUME	FIGURE NUMBER
D	8-26-14	Revised Installation	TBW	JM	POUNDS	CUBIC FEET	2692 BS
C	4-24-12	Rev. Title, Installation	TBW	CL			
B	4-2-12	Added Note	TBW	DP			
REV.	DATE	DESCRIPTION	BY	CKD. BY			