

IRWIN® Lock-n-Load® Quick-Change Extensions

QUICK-CHANGE BIT EXTENSION FEATURES

1. Lock-n-Load® system for quick release and fast bit changes.
2. Chrome-plated sleeve and body for improved durability and longer life.
3. Patented jaw design is compatible with 6-flatted shanks, ball detent (quick-change), and insert bits.
4. 1/4" range works with insert bits and is magnetic for additional holding power.



4935652

Lock-n-Load Compatibility

WOOD DRILLING

1/4"



- SPEEDBOR® Blue Groove (All Sizes)
- SPEEDBOR Max Speed (Sizes 7/16" to 1-1/4")
- Fastener Drive (All products)
- UNIBIT® (Sizes #1, #2, #10, #12)
- 1/4" Hole Saw Arbor (Sizes 9/16" to 1-3/16")
- Countersinks (Sizes #4 to #12)



3/8"



- SPEEDBOR Max Speed (Sizes 1-3/8", 1-1/4")
- UNIBIT (Sizes #3, #4, #11)
- 3/8" Hole Saw Arbor (Sizes 9/16" to 6" diameter saws)



7/16"



- 17" Ship Augers (Sizes 9/16" and larger)
- 7-1/2" Short Ship Augers (Sizes 1-1/8", 1-1/4")
- Self-Feed Bits (All sizes)
- UNIBIT (Sizes #5, #9, #13, #14, #20, #21)
- 1/2" Hole Saw Arbor (Sizes 1-1/4" - 6")



4935704

Description	Item #
1/4" Quick-Change Bit Holder 2-1/2" OAL / 5/8" OAW	4935703
1/4" Quick-Change Bit Holder 6" OAL / 5/8" OAW	4935704
1/4" Quick-Change Bit Holder 12" OAL / 5/8" OAW	4935705
3/8" Quick-Change Bit Holder 2-3/4" OAL / 7/8" OAW	4935651
3/8" Quick-Change Bit Holder 5-1/2" OAL / 7/8" OAW	4935652
3/8" Quick-Change Bit Holder 12" OAL / 7/8" OAW	4935653
7/16" Quick-Change Bit Holder 5-1/2" OAL / 1-1/16" OAW	4935654
7/16" Quick-Change Bit Holder 12" OAL / 1-1/16" OAW	4935655
7/16" Quick-Change Bit Holder 18" OAL / 1-1/16" OAW	4935656



88702

Manual Locking Hex Extensions

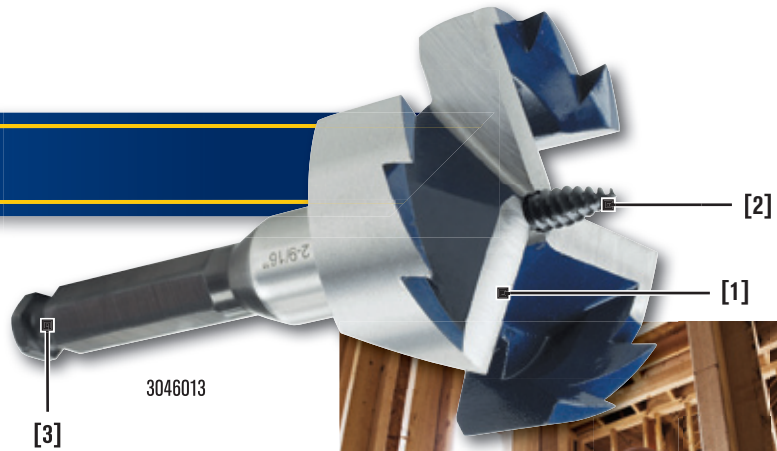
Description	Item #
1/4" Hex Key Extension 6" OAL / 1-1/16" OAW	88702
1/4" Hex Key Extension 12" OAL / 1-1/16" OAW	88601
7/16" Hex Key Extension 6" OAL / 1-1/16" OAW	3046001
7/16" Hex Key Extension 12" OAL / 1-1/16" OAW	3046002
7/16" Hex Key Extension 18" OAL / 1-1/16" OAW	3046003

Hex Key Extensions
Compatible With:



SPEEDBOR MAX SELF-FEED BIT FEATURES

1. Three re-sharpenable cutting edges are hardened for extreme durability and long life in tough materials.*
2. Replaceable screw-point tip pulls bit fast for clean, true holes.
3. 7/16" hex quick-change shank reduces slipping in standard chucks and is compatible with all 7/16" impact drills.



* 2 cutting edges on sizes 3" and larger

SPEEDBOR Max Self-Feed Wood Bits



3046010



4935655



3046002

Diameter	Shank Size	Overall Length	Item #
1"	7/16"	5"	3046004
1-1/8"	7/16"	5"	3046005
1-1/4"	7/16"	5"	3046006
1-3/8"	7/16"	5"	3046007
1-1/2"	7/16"	5"	3046008
1-3/4"	7/16"	5"	3046009
2"	7/16"	5"	3046010
2-1/8"	7/16"	5"	3046011
2-1/4"	7/16"	5"	3046012
2-9/16"	7/16"	5"	3046013
3"	7/16"	5"	3046014
3-5/8"	7/16"	5"	3046015
4-5/8"	7/16"	5"	3046016

Replacement Tips - Includes (5) Screw Tips, (5) Set Screws, and (1) Hex Key

Self-feed tips 1" - 1-3/8" bits	1792762
Self-feed tips 1-1/2" - 2-9/16" bits	1792763
Self-feed tips 3" - 4-5/8" bits	1792764

Lock-n-Load® Quick-Change Extensions

7/16" Quick-Change Bit Holder 5-1/2" OAL / 1-1/16" OAW	4935654
7/16" Quick-Change Bit Holder 12" OAL / 1-1/16" OAW	4935655
7/16" Quick-Change Bit Holder 18" OAL / 1-1/16" OAW	4935656

Manual Locking Hex Key Extensions

7/16" Manual Locking Hex Extensions 5-1/2" OAL / 1-1/16" OAW	3046001
7/16" Manual Locking Hex Extensions 12" OAL / 1-1/16" OAW	3046002
7/16" Manual Locking Hex Extensions 18" OAL / 1-1/16" OAW	3046003