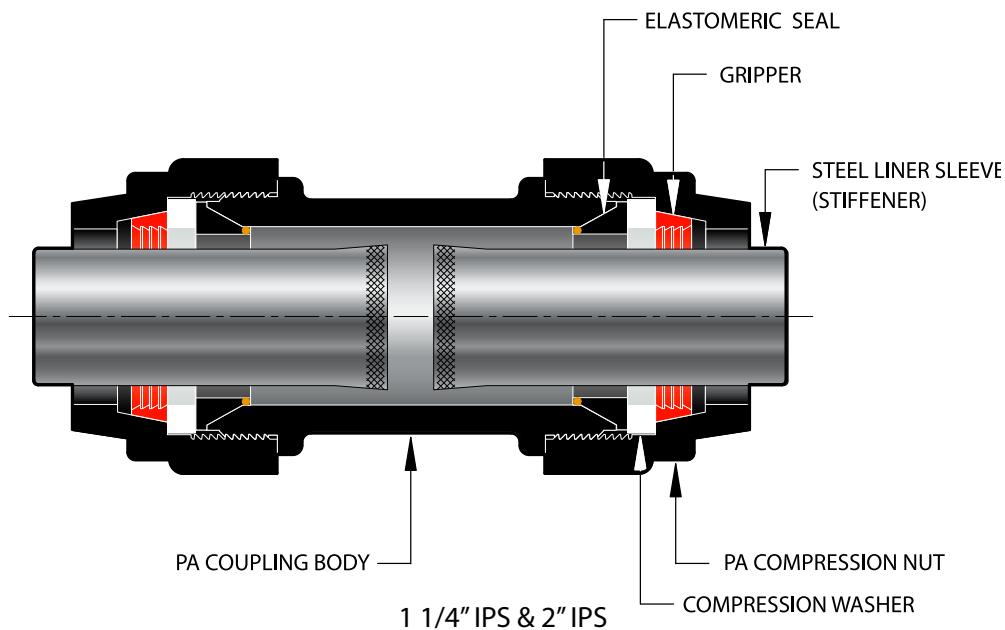
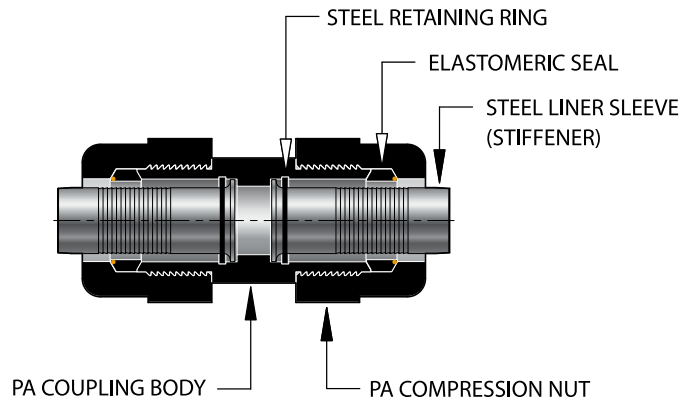




COMPRESSION FITTINGS

PA COMPRESSION FITTINGS



- QUICKLY AND EASILY INSTALLED—because it's pre-assembled. Just insert tubing and tighten compression nut (except for 1 1/4" & 2" IPS, see instructions on shipping bag).
- COMPRESSION FITTINGS—can be used on a variety of polyethylene fuel gas piping. Visual indicators make repeatable and successful installation a cinch. The installation is simple and the same procedure is used for 3408/4710, 2406/2708, 2306 or 3306 PE.
- DESIGNED FOR MAXIMUM PULL-OUT STRENGTH—tensile strength exceeds requirements of D.O.T., Title 49 of the Code of Federal Regulations, Part 192.283 (b)
- PERMANENT LEAK-PROOF JOINT
- ECONOMICAL AND EXTREMELY VERSATILE
- GASKET FULLY RETAINED TO PREVENT COLD FLOW
- Reference Instruction Sheet 34-4834-92 for 1/2" CTS through 1" IPS and 34-4834-32 for 1 1/4" & 2" IPS couplings for proper installation.

COMPRESSION FITTINGS



COMPRESSION FITTINGS Full Couplings

PE SIZE	WALL	PART NUMBER
1/2" CTS (5/8" OD)	.090	5657-52-1004-00‡
	.062	5657-52-1004-AA
1" CTS (1 1/8" OD)	.099/.101	5657-52-1008-00
	.090	5657-52-1008-AA
3/4" IPS	SDR-11 (.095)	5657-52-1013-00
1" IPS	SDR-11 (.119)	5657-52-1014-00
1 1/4" IPS	SDR-10 (.166)	5657-52-1015-00
	SDR-11 (.151)	5657-52-1015-AA
2" IPS	SDR-11 (.216)	5657-52-1017-00



- For sizes not listed, contact Continental Industries.
- Pressure rating—Designed to meet or exceed pressure rating of PE pipe per 49 CFR Part 192 and ASTM D2513.
- For PA Couplings with EFV's, contact Continental Industries.
- ‡ = IAPMO/UPC Listed

COMPRESSION FITTINGS End Caps

PE SIZE	WALL	PART NUMBER
1/2" CTS (5/8" OD)	.090	5657-53-1004-00
	.062	5657-53-1004-0A
1" CTS (1 1/8" OD)	.099/.101	5657-53-1008-00
	.090	5657-53-1008-0A
3/4" IPS	SDR-11 (.095)	5657-53-1013-00
1" IPS	SDR-11 (.119)	5657-53-1014-00
1 1/4" IPS	SDR-10 (.166)	5657-53-1015-00
	SDR-11 (.151)	5657-53-1015-0A
2" IPS	SDR-11 (.216)	5657-53-1017-00



- For sizes not listed, contact Continental Industries.
- Pressure rating—Designed to meet or exceed pressure rating of PE pipe per 49 CFR Part 192 and ASTM D2513.



For Fittings with EFV's,
Contact Continental Industries

PA Material

- ▶ ASTM D 2513 listed material
- ▶ Elevated temperature performance
- ▶ Superior chemical resistance
- ▶ Much stronger than P.E.