



PVC FASTTAP® SADDLES

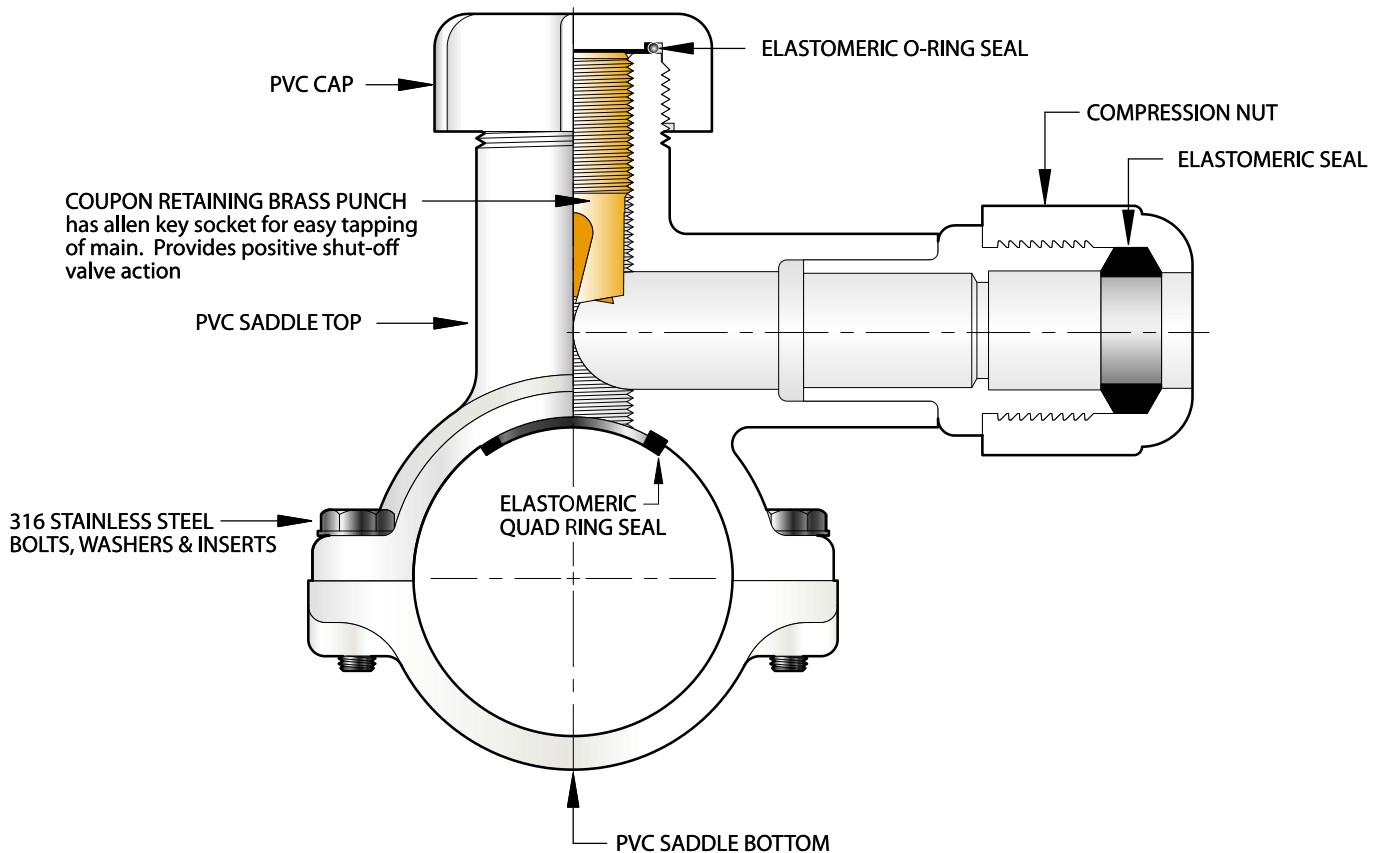
PVC FASTTAP®

Plastic Saddle Punch Tee For Use On All PVC and PE Mains

The FASTTAP® PVC Saddle Tee is the most reliable and easy to use method of adding service connections to a plastic main. A live main can be tapped under full pressure. Simply bolt on the FASTTAP® saddle, connect the service line and then tap the main with the built-in coupon retaining punch. The punch will serve as an emergency shut-off valve and may be left in the closed position until service is needed.

No Corporation Stops!
No Tapping Machines!

One Tap Does It All!



- Full wrap around saddle design eliminates stress points being applied to main.
- Tapping process uses simple combination tapping tool eliminating cumbersome tapping machines.
- Tapping cutter retains the coupon then functions as a cut-off valve eliminating corporation stops.
- Manufactured from noncorrosive materials.
 - PVC with PPI HDB Listing
 - 316 Stainless Steel Bolts
- Brass Cutter
- Available to work with 1"-12" iron pipe size mains.
- Available with 3/4" to 1" PVC, PE, PB or Copper Compression outlets, PVC solvent-weld outlets and threaded adapter outlets.
- Application may be for wet or dry taps.
- See www.nsf.org for Continental's NSF Listing to Standard 61.
- Reduces installation time by 50%.

PVC FASTTAP® SADDLES



PVC FASTTAP SADDLES for IPS Mains

OUTLET	MAIN SIZE ^o	PART NUMBER 13/16" CR PUNCH
3/4" IPS FEMALE SLIP OR 1" IPS MALE SLIP SOLVENT WELD	1"	5361-14-0713-00†
	1 1/4"	5261-15-0713-00
	2"	5261-17-0713-00
	2 1/2"	5261-18-0713-00
	3"	5261-19-0713-00
	3 1/2"	5261-20-0713-00‡
	4"	5261-21-0713-00
	5"	5261-23-0713-00‡
	6"	5261-24-0713-00
	8"	5261-26-0713-00‡
	10"	5261-27-0713-00‡
	12"	5261-28-0713-00‡
1" IPS FEMALE SLIP SOLVENT WELD	1"	5361-14-0714-00†
	1 1/4"	5261-15-0714-00
	2"	5261-17-0714-00
	2 1/2"	5261-18-0714-00
	3"	5261-19-0714-00
	3 1/2"	5261-20-0714-00‡
	4"	5261-21-0714-00
	5"	5261-23-0714-00‡
	6"	5261-24-0714-00
	8"	5261-26-0714-00‡
	10"	5261-27-0714-00‡
	12"	5261-28-0714-00‡
3/4" MPT	1"	5361-14-0913-00†
	1 1/4"	5261-15-0913-00
	2"	5261-17-0913-00
	2 1/2"	5261-18-0913-00
	3"	5261-19-0913-00‡
	3 1/2"	5261-20-0913-00
	4"	5261-21-0913-00
	5"	5261-23-0913-00‡
	6"	5261-24-0913-00
	8"	5261-26-0913-00‡
	10"	5261-27-0913-00‡
	12"	5261-28-0913-00‡
1" MPT	1"	5361-14-0914-00†
	1 1/4"	5261-15-0914-00
	2"	5261-17-0914-00
	2 1/2"	5261-18-0914-00
	3"	5261-19-0914-00
	3 1/2"	5261-20-0914-00‡
	4"	5261-21-0914-00
	5"	5261-23-0914-00‡
	6"	5261-24-0914-00
	8"	5261-26-0914-00‡
	10"	5261-27-0914-00‡
	12"	5261-28-0914-00‡
3/4" FPT	1"	5361-14-1513-00†
	1 1/4"	5261-15-1513-00
	2"	5261-17-1513-00
	2 1/2"	5261-18-1513-00
	3"	5261-19-1513-00
	3 1/2"	5261-20-1513-00‡
	4"	5261-21-1513-00
	5"	5261-23-1513-00‡
	6"	5261-24-1513-00
	8"	5261-26-1513-00‡
	10"	5261-27-1513-00‡
	12"	5261-28-1513-00‡

OUTLET	Main Size ^o	PART NUMBER 13/16" CR PUNCH
1" FPT	1"	5361-14-1514-00†
	1 1/4"	5261-15-1514-00
	2"	5261-17-1514-00
	2 1/2"	5261-18-1514-00
	3"	5261-19-1514-00
	3 1/2"	5261-20-1514-00‡
	4"	5261-21-1514-00
	5"	5261-23-1514-00‡
	6"	5261-24-1514-00
	8"	5261-26-1514-00‡
	10"	5261-27-1514-00‡
	12"	5261-28-1514-00‡
3/4" CTS (7/8" OD) COMPRESSION ^Δ	1"	5361-14-2506-00†
	1 1/4"	5261-15-2506-00
	2"	5261-17-2506-00
	2 1/2"	5261-18-2506-00
	3"	5261-19-2506-00
	3 1/2"	5261-20-2506-00‡
	4"	5261-21-2506-00
	5"	5261-23-2506-00‡
	6"	5261-24-2506-00
	8"	5261-26-2506-00‡
	10"	5261-27-2506-00‡
	12"	5261-28-2506-00‡
1" CTS (1 1/8" OD) COMPRESSION ^Δ	1"	5361-14-2508-00†
	1 1/4"	5261-15-2508-00
	2"	5261-17-2508-00
	2 1/2"	5261-18-2508-00
	3"	5261-19-2508-00
	3 1/2"	5261-20-2508-00‡
	4"	5261-21-2508-00
	5"	5261-23-2508-00‡
	6"	5261-24-2508-00
	8"	5261-26-2508-00‡
	10"	5261-27-2508-00‡
	12"	5261-28-2508-00‡
3/4" IPS COMPRESSION ^Δ	1"	5361-14-2513-00†
	1 1/4"	5261-15-2513-00
	2"	5261-17-2513-00
	2 1/2"	5261-18-2513-00
	3"	5261-19-2513-00
	3 1/2"	5261-20-2513-00‡
	4"	5261-21-2513-00
	5"	5261-23-2513-00‡
	6"	5261-24-2513-00
	8"	5261-26-2513-00‡
	10"	5261-27-2513-00‡
	12"	5261-28-2513-00‡
1" IPS COMPRESSION ^Δ	1"	5361-14-2514-00†
	1 1/4"	5261-15-2514-00
	2"	5261-17-2514-00
	2 1/2"	5261-18-2514-00
	3"	5261-19-2514-00
	3 1/2"	5261-20-2514-00‡
	4"	5261-21-2514-00
	5"	5261-23-2514-00‡
	6"	5261-24-2514-00
	8"	5261-26-2514-00‡
	10"	5261-27-2514-00‡
	12"	5261-28-2514-00‡



33-2940-00
Combination Tapping Tool & Saddle Bolt Wench

- For sizes not listed, contact Continental Industries.
- PVC Fasttaps are rated at 200 psi.
- ^o = Main sizes are for OD controlled pipe. Reference Tables 1, 2, 3, 4 & 5 on page 14.
- ^Δ = Compression fittings are for OD controlled tubing or pipe and are supplied without stiffeners. Reference Tables 1, 3 & 4 on page 14.
- Recommended accessories;
 - 33-2940-00 ~ Combination Tapping Tool & Saddle Bolt Wench for Fasttaps
- † = 1" IPS mains are furnished with 1/2" CR punch.
- ‡ = With stainless steel band strap.