

Reference for replacing Laing models

Competitor cross-reference for Laing							Open systems: Stainless steel and lead-free bronze body pumps					
Laing model type	Port to port length [in]	Flange size/ conn. type	Grundfos model type	Port to port length [in]	Flange size/ conn. type	Grundfos product number						
						1x115V	1x208V	1x230V	3x208V	3x230V	3x460V	
SM-303-BS	2-9/16"	1/2" Sweat	UP 10-16B5 LC	3-1/8"	1/2" Sweat	97525905	-	-	-	-	-	
SM-303-BSR	2-9/16"	1/2" Sweat	UP 10-16B5 ATLC	3-1/8"	1/2" Sweat	97525908	-	-	-	-	-	
SM-303-BSW	2-9/16"	1/2" Sweat	UP 10-16B5 LC	3-1/8"	1/2" Sweat	97525905	-	-	-	-	-	
SM-303-BSRW	2-9/16"	1/2" Sweat	UP 10-16B5 ATLC	3-1/8"	1/2" Sweat	97525908	-	-	-	-	-	
SM-303-BT	2-9/16"	1/2" FNPT	UP 10-16BN5 LC	3-1/8"	1/2" FNPT	97525909	-	-	-	-	-	
SM-303-BTR	2-9/16"	1/2" FNPT	UP 10-16BN5 ATLC	3-1/8"	1/2" FNPT	97525921	-	-	-	-	-	
SM-303-BTW	2-9/16"	1/2" FNPT	UP 10-16BN5 LC	3-1/8"	1/2" FNPT	97525909	-	-	-	-	-	
SM-303-BTRW	2-9/16"	1/2" FNPT	UP 10-16BN5 ATLC	3-1/8"	1/2" FNPT	97525921	-	-	-	-	-	
SMT-303-BS	2-9/16"	1/2" Sweat	UP 10-16B5 TLC	3-1/8"	1/2" Sweat	97525907	-	-	-	-	-	
SMT-303-BSR	2-9/16"	1/2" Sweat	UP 10-16B5 ATLC	3-1/8"	1/2" Sweat	97525908	-	-	-	-	-	
SMT-303-BSW	2-9/16"	1/2" Sweat	UP 10-16B5 TLC	3-1/8"	1/2" Sweat	97525907	-	-	-	-	-	
SMT-303-BSRW	2-9/16"	1/2" Sweat	UP 10-16B5 ATLC	3-1/8"	1/2" Sweat	97525908	-	-	-	-	-	
SMT-303-BT	2-9/16"	1/2" FNPT	UP 10-16BN5 TLC	3-1/8"	1/2" FNPT	97525910	-	-	-	-	-	
SMT-303-BTR	2-9/16"	1/2" FNPT	UP 10-16BN5 ATLC	3-1/8"	1/2" FNPT	97525921	-	-	-	-	-	
SMT-303-BTW	2-9/16"	1/2" FNPT	UP 10-16BN5 TLC	3-1/8"	1/2" FNPT	97525910	-	-	-	-	-	
SMT-303-BTRW	2-9/16"	1/2" FNPT	UP 10-16BN5 ATLC	3-1/8"	1/2" FNPT	97525921	-	-	-	-	-	
SM-909-BS-14	6"	1/2" Sweat	UP 15-18 B5	5"	1/2" Sweat	59896114	-	59896118	-	-	-	
SM-909-BSW-14	6"	1/2" Sweat	UP 15-18 B5/LC	5"	1/2" Sweat	59896211	-	-	-	-	-	
SM-909-BSC-14	6"	1/2" Sweat	UP 15-18 B5*	5"	1/2" Sweat	59896114	-	-	-	-	-	
SM-909-BSCW-14	6"	1/2" Sweat	UP 15-18 B5/LC*	5"	1/2" Sweat	59896211	-	-	-	-	-	
SMT-909-BS-14	6"	1/2" Sweat	UP 15-18 B5**	5"	1/2" Sweat	59896114	-	-	-	-	-	
SMT-909-BSW-14	6"	1/2" Sweat	UP 15-18 B5/TLC	5"	1/2" Sweat	59896212	-	-	-	-	-	
SMT-909-BSC-14	6"	1/2" Sweat	UP 15-18 B5/TLC*	5"	1/2" Sweat	59896212	-	-	-	-	-	
SMT-909-BSCW-14	6"	1/2" Sweat	UP 15-18 B5/TLC*	5"	1/2" Sweat	59896212	-	-	-	-	-	
SM-909-BS-14	6"	3/4" Sweat	UP 15-18 B7	5"	3/4" Sweat	59896121	-	59896119	-	-	-	
SM-909-BSW-14	6"	3/4" Sweat	UP 15-18 B7/LC	5"	3/4" Sweat	59896229	-	-	-	-	-	
SM-909-BSC-14	6"	3/4" Sweat	UP 15-18 B7*	5"	3/4" Sweat	59896121	-	-	-	-	-	
SM-909-BSCW-14	6"	3/4" Sweat	UP 15-18 B7/LC*	5"	3/4" Sweat	59896229	-	-	-	-	-	
SM-909-BS-18	6"	3/4" Sweat	-	-	-	-	-	-	-	-	-	
SM-909-BSW-18	6"	3/4" Sweat	Alpha 15-55 SF/LC	6-1/2"	2-Bolt Flange	59896834	-	-	-	-	-	
SMT-909-BS-14	6"	3/4" Sweat	UP 15-18 B7**	5"	3/4" Sweat	59896121	-	-	-	-	-	
SMT-909-BSW-14	6"	3/4" Sweat	UP 15-18 B7/TLC	5"	3/4" Sweat	59896230	-	-	-	-	-	
SMT-909-BSC-14	6"	3/4" Sweat	UP 15-18 B7/TLC*	5"	3/4" Sweat	59896230	-	-	-	-	-	
SMT-909-BSCW-14	6"	3/4" Sweat	UP 15-18 B7/TLC*	5"	3/4" Sweat	59896230	-	-	-	-	-	
SM-909-BF-14	6-1/2"	2-Bolt Flange	UP 15-42 BUC5	6-1/2"	2-Bolt Flange	59896150	-	-	-	-	-	
SM-909-BFW-14	6-1/2"	2-Bolt Flange	Alpha 15-55 SF/LC	6-1/2"	2-Bolt Flange	59896834	-	-	-	-	-	
SM-909-BF-18	6-1/2"	2-Bolt Flange	UPS 15-55 SFC	6-1/2"	2-Bolt Flange	59896773	-	-	-	-	-	
SM-909-BF-18	6-1/2"	2-Bolt Flange	Alpha 15-55 SF	6-1/2"	2-Bolt Flange	59896879	-	-	-	-	-	
SM-909-BFW-18	6-1/2"	2-Bolt Flange	Alpha 15-55 SF/LC	6-1/2"	2-Bolt Flange	59896834	-	-	-	-	-	
SMT-909-BF-14	6-1/2"	2-Bolt Flange	UP 15-42 BUC5**	6-1/2"	2-Bolt Flange	59896150	-	-	-	-	-	
SMT-909-BFW-14	6-1/2"	2-Bolt Flange	Alpha 15-55 SF/LC	6-1/2"	2-Bolt Flange	59896834	-	-	-	-	-	
SMT-909-BF-18	6-1/2"	2-Bolt Flange	UPS 15-55 SFC	6-1/2"	2-Bolt Flange	59896773	-	-	-	-	-	
E1-BCANCT1W-06	4-1/2"	W/supply 1/2" MNPT, F/supply 3/8" MNPT	Comfort System	6-1/2"	2-Bolt Flange	595916	-	-	-	-	-	
E1-BCANRT1W-06/T	4-1/2"	W/supply 1/2" MNPT, F/supply 3/8" MNPT	Comfort System	6-1/2"	2-Bolt Flange	595916	-	-	-	-	-	
E1-BCSVNN1-06	2-1/2"	1/2" Sweat	UP 10-16B5 LC	3-1/8"	1/2" Sweat	97525905	-	-	-	-	-	
E1-BCSVNN1W-06	2-1/2"	1/2" Sweat	UP 10-16B5 LC	3-1/8"	1/2" Sweat	97525905	-	-	-	-	-	
E1-BCSNRN1W-06	2-1/2"	1/2" Sweat	UP 10-16B5 ATLC	3-1/8"	1/2" Sweat	97525908	-	-	-	-	-	
E1-BCSNRN1W-06	2-1/2"	1/2" Sweat	UP 10-16B5 ATLC	3-1/8"	1/2" Sweat	97525908	-	-	-	-	-	
E1-BCTVNN1-06	2-1/2"	1/2" FPT	UP 10-16BN5 LC	3-1/8"	1/2" FNPT	97525909	-	-	-	-	-	
E1-BCTVNN1W-06	2-1/2"	1/2" FPT	UP 10-16BN5 LC	3-1/8"	1/2" FNPT	97525909	-	-	-	-	-	
E1-BCTNRN1W-06	2-1/2"	1/2" FPT	UP 10-16BN5 ATLC	3-1/8"	1/2" FNPT	97525921	-	-	-	-	-	
E1-BCTNRN1W-06	2-1/2"	1/2" FPT	UP 10-16BN5 ATLC	3-1/8"	1/2" FNPT	97525921	-	-	-	-	-	
E3-BCTVNN1W-11	2-1/2"	1/2" FPT	-	-	-	-	-	-	-	-	-	
E3-BCUVNN1W-11	5-1/2"	Union	UPS 15-35 SUC/TLC	6-1/2"	GU 125	59896780	-	-	-	-	-	
E3-BCSVNN1W-11	2-1/2"	1/2" Sweat	-	-	-	-	-	-	-	-	-	
E10-BCANCT1W-23	4-1/2"	W/supply 1/2" MNPT, F/supply 3/8" MNPT	-	-	-	-	-	-	-	-	-	
E10-BCFVNN1W-24	6-1/2"	2-Bolt Flange	-	-	-	-	-	-	-	-	-	
E10-BCSVNN1W-19	6"	1/2" Sweat	-	-	-	-	-	-	-	-	-	
E10-BCSVNN1W-22	6"	3/4" Sweat	-	-	-	-	-	-	-	-	-	
E10-BCUVNN1W-19	6"	Union	-	-	-	-	-	-	-	-	-	

May not match specific competitive flange orientation. Grundfos provides no guarantee as to the accuracy of competitor information listed herein.

* Purchase Thermostatic Controls

- 595443 Aquastat kit, 1/2" clip on 85° F - 105° F
- 595444 Aquastat kit, 3/4" clip on 85° F - 105° F
- 595656 Aquastat kit, 1/2" clip on 105° F - 115° F
- 595657 Aquastat kit, 3/4" clip on 105° F - 115° F

**Purchase Timer Control

- 599388 24-Hour Programmable Clock/Timer

AquaStat

Specifications

- Description: Thermostatic switch.
- Type: Bi-metallic disc, snap acting.
- Enclosure: environmentally sealed.
- Mounting:
 - Clip-on mount for 1/2 in. (12.7 mm) I.D. copper tube (5/8 in. (15.9 mm) O.D.)
 - Clip-on mount for 3/4 in. (19.1 mm) I.D. copper tube (7/8 in. (22.2 mm) O.D.).
- Contact rating:
 - 10 A @ 120 VAC, 60 Hz resistive.
 - 5 A @ 240 VAC, 60 Hz resistive.

Temperature rating

Low-temperature model:

- 105 ± 5 °F (40 ± 2 °C) pump switches off.
- 85 ± 6 °F (29 ± 3 °C) pump switches on.

High-temperature model:

- 115 ± 5 °F (46 ± 2 °C) pump switches off.
- 105 ± 5 °F (40 ± 2 °C) pump switches on.

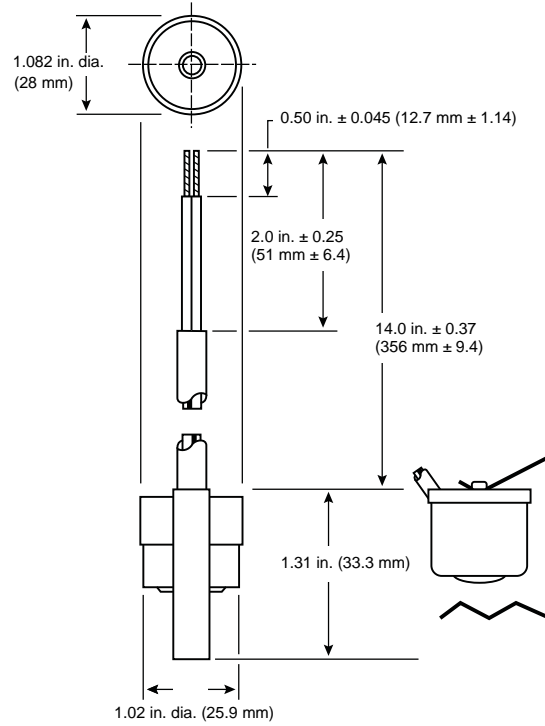
Leads:

- 2 leads, AWG 18, 14 in. (356 mm).
- 12 in. (305 mm), black insulation, silicon or epoxy overmold.
- 1/2 in. (12.7 mm) strip length.

Application:

- Clip-on thermostatic control for the UP circulators.

Approvals



TM03 4408 1311

Fig. 14 AquaStat dimensions



TM03 4407 2006

Fig. 15 AquaStat

Thermostatic controls

Product number	Description	Shipping weight [lb (kg)]
595443	Aquastat set, 1/2 in. (12.7 mm) clip-on mount for 5/8 in. (15.9 mm) O.D. system piping size, 85 °F - 105 °F* (29.4 °C - 40.5 °C) (1/2 in. (12.7 mm) I.D. copper tubing or 3/8 in. (9.7 mm) steel pipe) shielded wire, with PVC jacketed cable	1.0 (.45 kg)
595444	Aquastat set, 3/4 in. (19.1 mm) clip-on mount for 7/8 in. (22.2 mm) O.D. system piping size, 85 °F - 105 °F* (29.4 °C - 40.5 °C) (3/4 in. (19.1 mm) I.D. copper tubing or 1/2 in. (12.7 mm) steel pipe) shielded wire, with PVC jacketed cable	1.0 (.45 kg)
595656	Aquastat set, 1/2 in. (12.7 mm) clip-on mount for 5/8 in. (15.9 mm) O.D. system piping size, 105 °F - 115 °F* (40.5 °C - 46.1 °C) (1/2 in. (12.7 mm) I.D. copper tubing or 3/8 in. (9.7 mm) steel pipe) shielded wire, with PVC jacketed cable	1.0 (.45 kg)
595657	Aquastat set, 3/4 in. (19.1 mm) clip-on mount for 7/8 in. (22.2 mm) O.D. system piping size, 105 °F - 115 °F* (40.5 °C - 46.1 °C) (3/4 in. (19.1 mm) I.D. copper tubing or 1/2 in. (12.7 mm) steel pipe) shielded wire, with PVC jacketed cable	1.0 (.45 kg)

Note: Dimensions in inches unless otherwise noted.