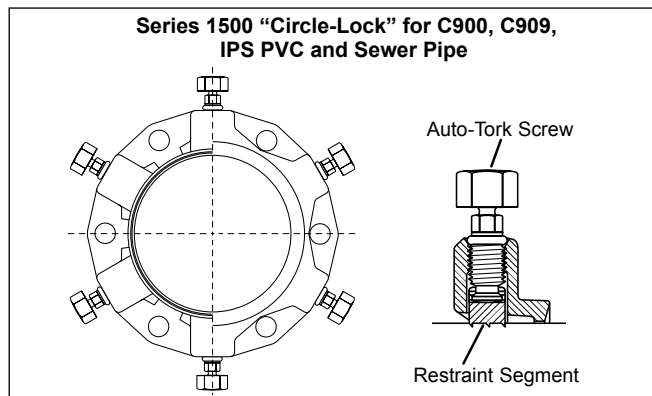
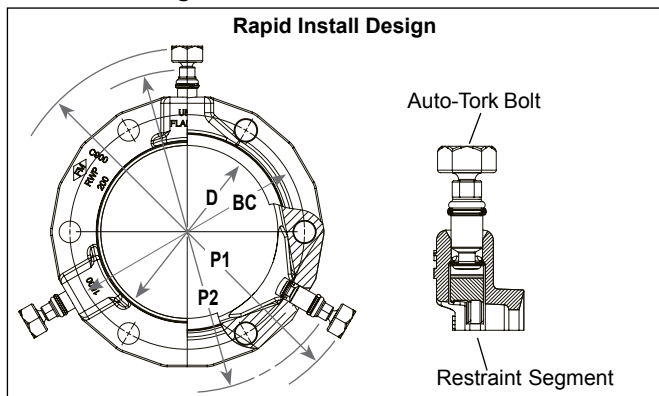


Uni-Flange® Series 1500 and 1500R Circle Lock

MJ Retainer Gland Joint Restraint for PVC Pipe

MATERIAL SPECIFICATIONS:

- Gland Body:** High Strength Ductile Iron, ASTM A536, Grade 65-45-12. May be used with all mechanical joint bells conforming to ANSI / AWWA C111 standard.
- Auto-Tork Screws:** High Strength Ductile Iron, ASTM A536, Grade 65-45-12. Designed to twist off at approximately 60 ft-lb.
- Restraint Segments:** Ductile Iron, ASTM A536.



P1 - Maximum O.D. of gland on pipe before Auto-Tork heads are removed (as shipped).

P2 - Maximum O.D. of gland installed on pipe after Auto-Tork heads are removed.

Rapid Install Design - C900 and ASTM D2241 IPS PVC Only

Nom. Pipe Size	O.D.	Catalogue Number	No. of Restraint Segments	Approx. Weight (lbs.)	P1	P2		BC	D	Pressure Rating			
						C900	IPS			C900		ASTM D2241	
										DR-18	DR-14	SDR-26	SDR-21
3"	3.50"	UFR1500R-3-(I or U)	2	7.00	11.50"	-	9.00"	6.19"	4.06"	235 PSI	305 PSI	160 PSI	200 PSI
4"	4.50"-4.80"	UFR1500R-4-(I or U)	2	8.06	13.00"	10.25"	9.25"	7.50"	4.90"	235 PSI	305 PSI	160 PSI	200 PSI
6"	6.63"-6.90"	UFR1500R-6-(I or U)	3	11.37	15.13"	12.17"	11.90"	9.50"	7.00"	235 PSI	305 PSI	160 PSI	200 PSI

Series 1500 "Circle-Lock" for C900, C909, IPS PVC and *Sewer Pipe 3" - 12"

Nom. Pipe Size	Pipe O.D. (Inches)	Catalogue Number	No. of Restraint Segments	Approx. Weight (lbs.)	P1	P2		BC	D
						C-909 C-900	IPS		
3"	3.50	UFR1500-3-(I or U)	4	8.3	11.50	-	9.11	6.19	4.06
4"	4.22 - 4.80	UFR1500-4-(I or U)	4	11.0	13.00	10.25	9.95	7.50	4.90
*6"	6.28 - 6.90	UFR1500-6-(I or U)	6	15.0	15.13	12.17	11.90	9.50	7.00
*8"	8.40 - 9.05	UFR1500-8-(I or U)	6	18.0	17.25	14.15	13.73	11.75	9.15
*10"	10.50 - 11.10	UFR1500-10-(I or U)	8	26.0	19.38	16.40	16.08	14.00	11.20
*12"	12.50 - 13.20	UFR1500-12-(I or U)	8	29.0	21.50	18.28	17.83	16.25	13.30

*Note: UFR1500s with a SO-EZ Gasket can be used on SDR 35 sewer pipe. See page 82.

I = Import Casting U = NAFTA Casting

Pipe Pressure Rating for C900, IPS PVC, C909 and *SDR-35 Pipe Sizes 3" - 12"

C900			ASTM D2241		C909	*SDR 35
DR-25	DR-18	DR-14	SDR-26	SDR-21	PC150	
165 PSI	235 PSI	305 PSI	160 PSI	200 PSI	150 PSI	PS ≥ 46 PSI

Series 1500-C "Circle-Lock" for C905 PVC Pipe 14" - 36"

NOM. PIPE SIZE	PIPE O.D. (INCHES)	CATALOGUE NUMBER AWWA C-905 PVC PIPE	NO. OF RESTRAINT SEGMENTS	APPROX. WEIGHT (LBS.)	P1	P2	BC	D	PIPE PRESSURE RATING AWWA C-905		PIPE PRESSURE RATING AWWA C-909 PC-165
									DR-18	DR-25	
14"	15.30	UFR1500-C-14-(I or U)	10	47.0	23.6	22.7	18.75	15.44	235 PSI	165 PSI	-
16"	17.40	UFR1500-C-16-(I or U)	12	62.0	26.2	25.3	21.00	17.54	235 PSI	165 PSI	165 PSI
18"	19.50	UFR1500-C-18-(I or U)	12	78.0	28.3	27.4	23.25	19.64	235 PSI	165 PSI	-
20"	21.60	UFR1500-C-20-(I or U)	14	95.0	30.4	29.5	25.50	21.74	235 PSI	165 PSI	-
24"	25.80	UFR1500-C-24-(I or U)	16	125.0	34.6	33.7	30.00	25.94	235 PSI	165 PSI	-
30"	32.00	UFR1500-C-30-(I or U)	20	140.0	40.79	38.06	36.88	32.30	235 PSI	165 PSI	-
36"	38.30	UFR1500-C-36-(I or U)	24	198.0	46.84	44.40	43.75	38.62	235 PSI	165 PSI	-

I = Import Casting U = NAFTA Casting