

ANGLE STOP VALVE

1/2" Nom SWT x 3/8" Comp

EASTMAN
SPEED-FLEX®

*Peace of Mind...
for the Professional Plumber*

TECHNICAL DATA

DESCRIPTION:

Professional series, forged brass body, brass stem, solid brass nuts, metal handle.
1/2" Nom SWT x 3/8" Comp.

CONSTRUCTION:

Brass

FINISH:

Chrome plated

CODE APPROVALS:

UPC approved. Complies w/ NSF-372

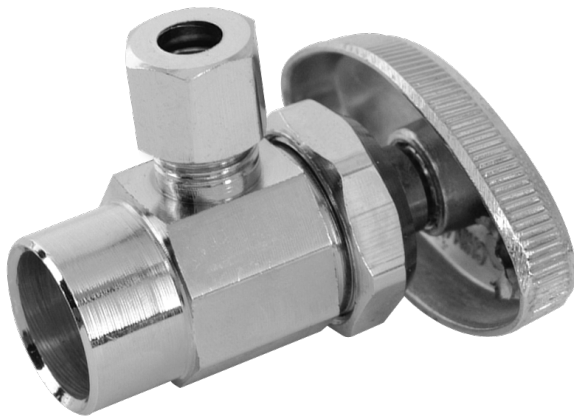


Low-Lead

PACKAGING:

Individually boxed

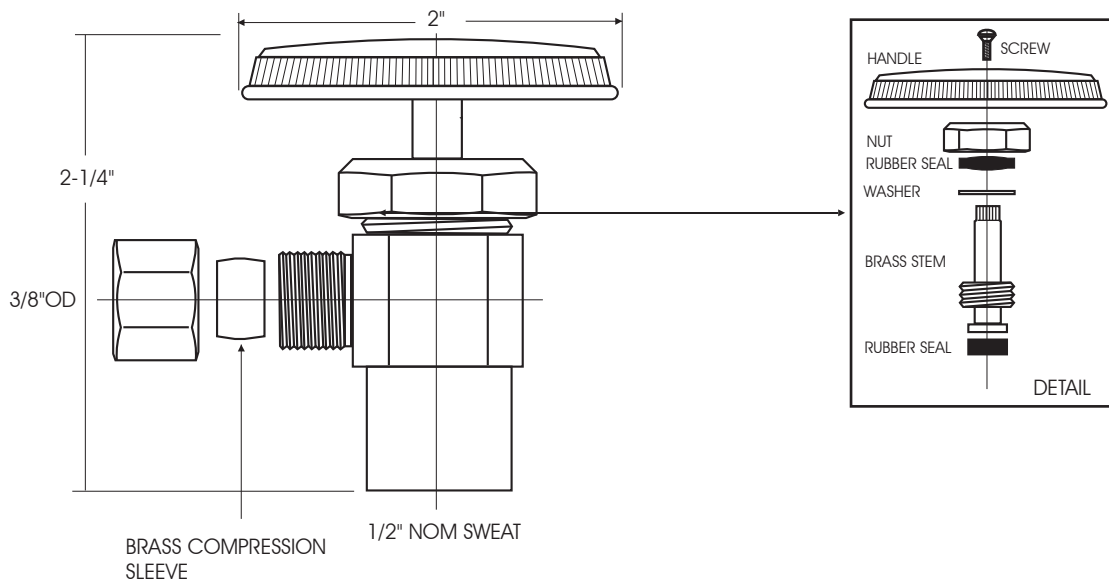
BRAND: EASTMAN



PART#	DESCRIPTION	INNER	MASTER
04387LF	Chrome Finish 1/2" Nom SWT x 3/8" Comp	24	96

Country of origin: China

ROUGH IN DRAWING



ALL DIMENSIONS SHOWN ARE NOMINAL

Meets requirements for NSF-61



Approved



Approved