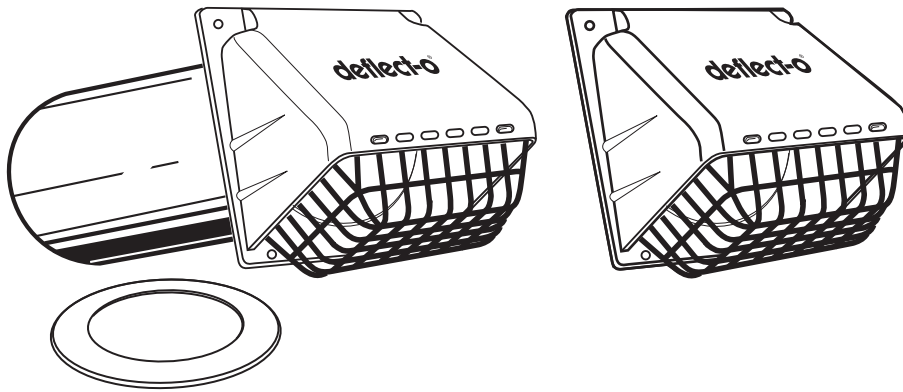


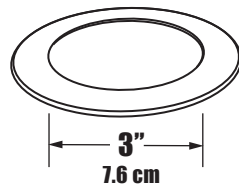
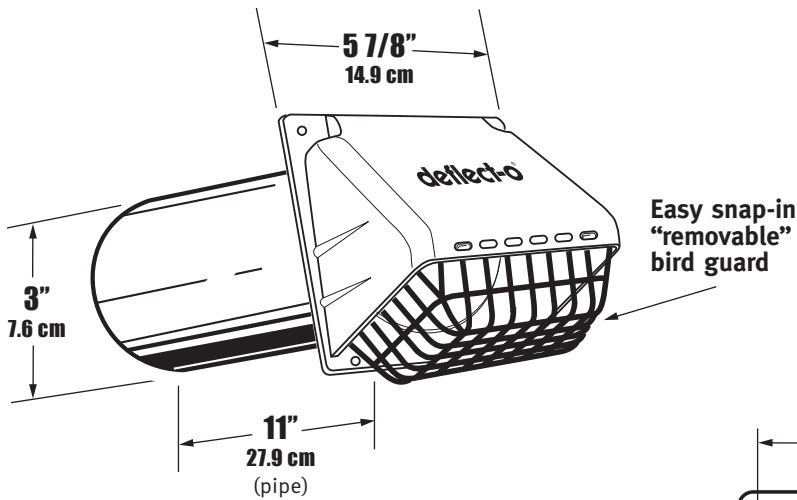
Technical Product Specifications

Bathroom Vent - 3" (10.2 cm) Wide mouth hood with removeable, bird guard, pipe & collar

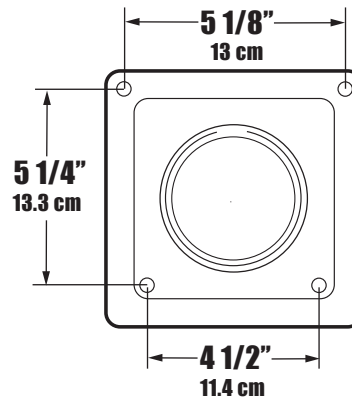


RVHXW3, RVHXB3, RVHAW3, RVHAB3

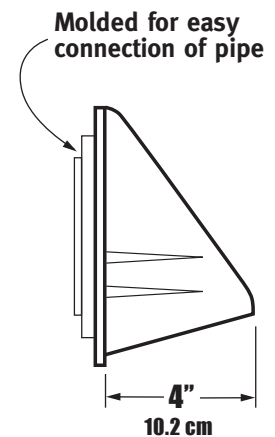
HR3W, HR3B



Plastic collar



Rear View



Side View

Model No.	Description	Color
HR3W	Hood	White
HR3B	Hood	Brown
RVHXW3	Hood/pipe/collar assem.	White
RVHXB3	Hood/pipe/collar assem.	Brown
RVHAW3	Hood/pipe/collar assem.	White
RVHAB3	Hood/pipe/collar assem.	Brown

Performance Data

for all plastic molded 3" Bathroom Vents

Hood

- Calcium filled Polypropylene
- Melting point: 325° F+ / 163C° approx.
- UV Inhibitor added

Pipe

- Aluminum

Collar

- Styrene

General Information

- 3" dia. (7.5 cm) opening
- quick, easy installation
- removable bird guard helps prevent birds and other pests from nesting in vent or entering home
- durable weather resistant

Hood Dia.	CFM	p/d in/w.c.
3" (7.6 cm)	50	.035
3" (7.6 cm)	75	.053
3" (7.6 cm)	100	.108
3" (7.6 cm)	125	.151