

**For Residential and Commercial Applications**

Job Name		Engineer / Architect	
Job Location		Wholesaler	
Submittal Date		Contractor	

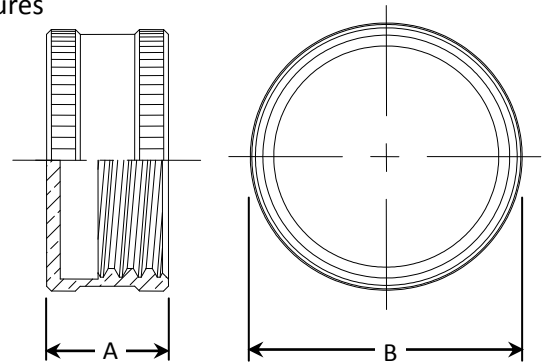
## HC-1 Garden Hose Cap – Female Hose Thread

**Use:** For use with residential and commercial grade garden hose. All female hose thread connections require a rubber washer inserted prior to installation.

**Operating Specifications:**

**Temperature:** -35° to 100°F at maximum operating pressures

**Working Pressure:** 75 PSI maximum, intermittent to 150 PSI



<b>PART DIMENSIONS (Inches)</b>		
Model	DIM. A	DIA. B
HC-1	.56	1.19

**Standard**

<b>MATERIAL SPECIFICATIONS</b>	
Fitting Body	Brass
Hose Washer*	EPDM

\*Where noted

**Compliant**

<b>MATERIAL SPECIFICATIONS</b>	
Fitting Body	Compliant brass
Hose Washer*	EPDM

**Standard Part Listing:**

- HC-1            3/4" Female Hose Thread, rough brass with hose washer
- HC-1 B        3/4" Female Hose Thread, rough brass, bulk
- HC-1 CB      3/4" Female Hose Thread, chrome plated, bulk

**Compliant Part Listing:**

- HC-1X        3/4" Female Hose Thread, rough brass with hose washer (Made in USA)
- HC-1X B     3/4" Female Hose Thread, rough brass, bulk (Made in USA)

**Listings & Certifications:**

- Compliant product CSA approved to California Health & Safety Code 116875 and Vermont Bill S.152 (Project # 2174785)



*This specification and all information contained herein is the confidential and exclusive property of BrassCraft Manufacturing, and shall not be disclosed to others without the written consent of BrassCraft. This specification must be returned to BrassCraft if requested.*

**BrassCraft®**