

For Residential and Commercial Applications

Job Name		Engineer / Architect	
Job Location		Wholesaler	
Submittal Date		Contractor	

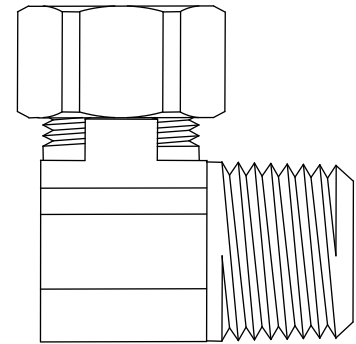
69 Series Compression x Male Iron Pipe Elbows

Use: For use with potable and non-potable water, instrumentation, hydraulic, and pneumatic systems. Designed for use with aluminum, copper, and plastic tubing*. Not intended for use with steel tubing.

* Plastic tubing requires a plastic insert and a sleeve (see 60PT & 63PT submittal forms for details)

Design Features:

- **Little to no tube preparation.** Compression fittings do not require flaring, soldering, or other types of tube preparation
- **Available in a broad range of sizes**
- **No Lead**



Operating Specifications:

Temperature: -65° - 250°F at maximum operating temperatures

Working Pressure: See chart below

Vibration: Fair vibration resistance

WORKING PRESSURE		
PSI	Tube OD	Tube Wall (Inches)
400	1/8	0.030
300	1/4	0.030
200	3/8	0.032
200	1/2	0.032

MATERIAL SPECIFICATIONS	
Body	Brass
Compression Sleeve	Brass
Compression Nut	Brass
Option	Chrome plating

Part Listing:

- 69-2-2X 1/8" OD tube x 1/8" MIP
- 69-2-2-1X B 1/8" OD tube x 1/8" MIP - body only, bulk
- 69-4-4X 1/4" OD tube x 1/4" MIP
- 69-4-4-1X B 1/4" OD tube x 1/4" MIP - body only, bulk
- 69-6-6X 3/8" OD tube x 3/8" MIP
- 69-6-6X B 3/8" OD tube x 3/8" MIP, bulk
- 69-6-6X C 3/8" OD tube x 3/8" MIP, chrome plated
- 69-6-6X CB 3/8" OD tube x 3/8" MIP, chrome plated, bulk
- 69-6-6X CD 3/8" OD tube x 3/8" MIP, chrome plated, carded
- 69-6-6-1X B 3/8" OD tube x 3/8" MIP - body only, bulk
- 69-6-6-1X CB 3/8" OD tube x 3/8" MIP - body only, chrome plated, bulk

This specification and all information contained herein is the confidential and exclusive property of BrassCraft Manufacturing Co., and shall not be disclosed to others without the written consent of BrassCraft Mfg. Co. This specification must be returned to BrassCraft Mfg. Co. if requested.

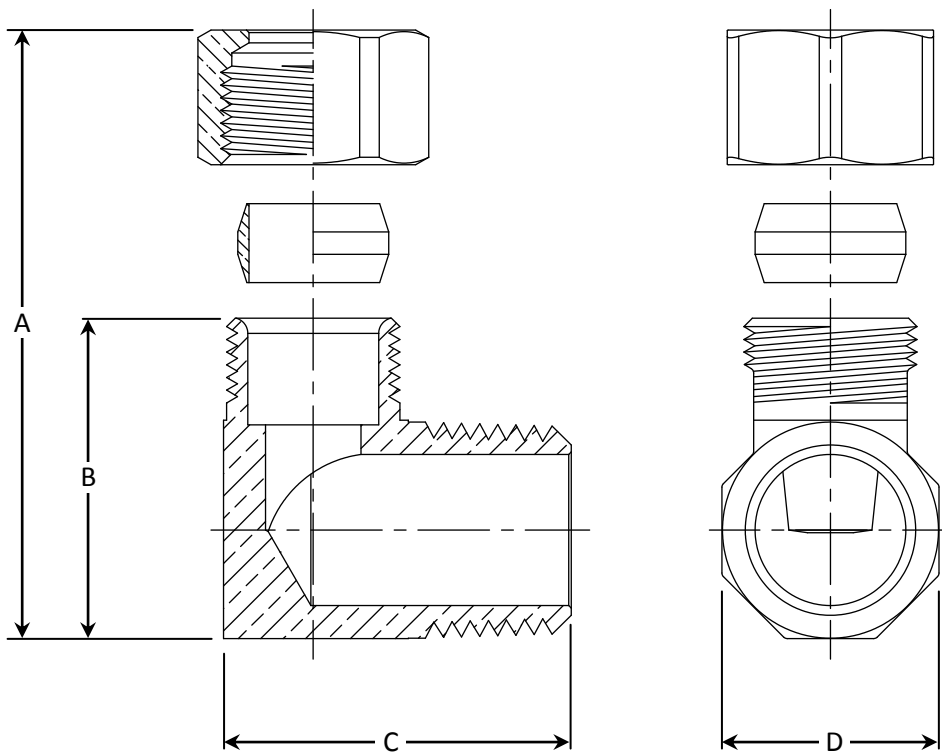


69 Series Compression x Male Iron Pipe Elbows

Part Listing (con't):

- 69-8-8X 1/2" OD tube x 1/2" MIP
- 69-8-8X C 1/2" OD tube x 1/2" MIP, chrome plated
- 69-8-8-1X B 1/2" OD tube x 1/2" MIP - body only, bulk

PART DIMENSIONS (Inches)				
Model	DIM. A	DIM. B	DIM. C	DIM. D
69-2-2X	.95	0.74	0.78	.46
69-4-4X	1.22	0.94	1.13	.58
69-6-6X	1.34	1.07	1.13	.69
69-8-8X	1.50	1.17	1.37	.82



Listings & Certifications:

- No-lead product CSA listed to NSF 372 (Class 6853-01)



This specification and all information contained herein is the confidential and exclusive property of BrassCraft Manufacturing Co., and shall not be disclosed to others without the written consent of BrassCraft Mfg. Co. This specification must be returned to BrassCraft Mfg. Co. if requested.

