

Why **ALL-PRO** Gauges?

All-Pro Products first introduced the Precision Diaphragm Gauge in 2000. Since then, All-Pro has again set the precedent for dependable, quality gauges. Constantly searching for greater possibilities to improve gauge standards, All-Pro strives to be the industry leaders and innovators. That is why All-Pro is "The Professionals' Choice For Leading Edge Products".

Certification (Optional)

All-Pro Products offers certification services on all diaphragm gauges. If a gauge is certified, it has been individually verified against an industry standard at specific points along the scale. The results of this certification are recorded on an official report from Alliance. This report accompanies the diaphragm gauge during its initial shipment and a placard is placed onto the back of the gauge, along with a security seal.



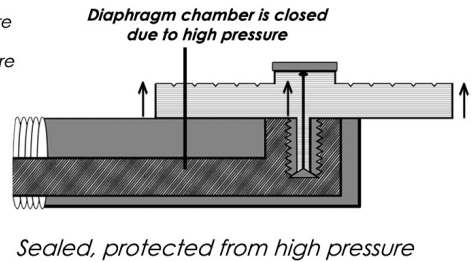
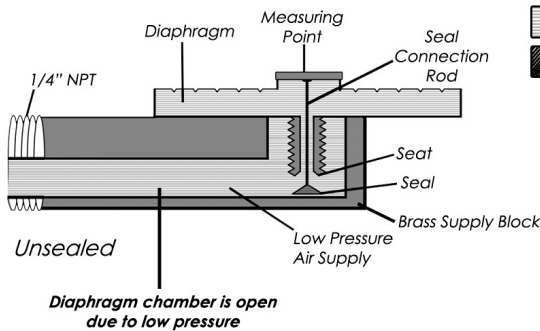
EGT4015SH Diaphragm Gauge Assembly

New Features:

- New Styrofoam packaging
- Improved maintenance-free set hand
- Easy turn knurled knob
- New advanced overload protection
- Bilingual instructions included
- New packaging design



New Diaphragm Gauge Overload Protection!



How it works:

As the air supply channel increases with pressure, the diaphragm will expand to pull the seal to the seat. The seal prevents the diaphragm from receiving any more pressure that is required to force the seating. This action prevents the application of over pressurizing from destroying the sensitive diaphragm capsule.

The following section displays All-Pro's breadth of instrumentation related products offered. From the best diaphragm gauges, to the basic air test gauge, All-Pro is your one-stop for all plumbing gauges.

The All-Pro diaphragm gauge was introduced to the industry as a low-cost reliable alternative to mercury columns for testing for low pressures accurately. All diaphragm All-Pro gauges share these features:

- ✓ Class 1A (1%) accuracy, now the standard which was set by All-Pro
- ✓ Easy to read 4" wide dial face that is protected by a shatter-proof lens
- ✓ Maintenance-free inspector set hand
- ✓ Visual warning zone printed directly on to the dial face
- ✓ Supplied with air block, inlet valve, Teflon tape and instructions
- ✓ All-Pro exclusive "true-zero" box rather than a stop post
- ✓ Stainless steel cases with brass movements
- ✓ Meets or exceeds any municipal requirement or specification related to low-pressure testing

You may visit www.alliancereps.com/pgta.pdf to obtain an informative guide on diaphragm gauges.

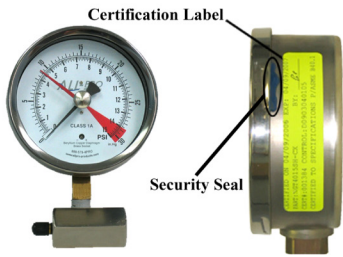
ECONOMY DIAPHRAGM GAUGE ASSEMBLY



- Precision engineered socket capsule design
- High quality German built brass movements
- Best in the industry, proven movement design
- Overload protection against over inflation, 10x full scale
- Comes packed in custom styrofoam packaging

Part Number	Description	Inner Carton	Master Carton	UOM
EGT405SH	4" DIAL FACE, 0-5 PSI, GAS TEST ASSEMBLY	1	24	EA
EGT4015SH	4" DIAL FACE, 0-15 PSI, GAS TEST ASSEMBLY	1	24	EA

ECONOMY DIAPHRAGM GAUGE ASSEMBLY - CERTIFIED



- Individually certified to ASTM B40.1 receiving certification label, certificate and security seal
- Precision engineered socket capsule design
- High quality German built brass movements
- Best in the industry, proven movement design
- Overload protection against over inflation, 10x full scale
- Comes packed in custom styrofoam protective box

Part Number	Description	Inner Carton	Master Carton	UOM
EGT405SH-CX	4" DIAL FACE, 0-5 PSI, GAS TEST ASSEMBLY - CERTIFIED	1	24	EA
EGT4015SH-CX	4" DIAL FACE, 0-15 PSI, GAS TEST ASSEMBLY - CERTIFIED	1	24	EA