



# S59-4000, S59-4000A, S59-4000BY Navigator® Thermostatic Mixing Valves

- Lead-free design †
- Glass-filled polysulfone valve body
- Thermoplastic polymer cartridge
- Reliable wax-filled thermostat
- Adjustable set point within temperature range
- Easy installation and serviceability
- Universal Mounting Capability
- Integral check valves and strainers
- Factory assembled and tested
- Optional mounting bracket

## Valve Specifications

**Maximum Operating Pressure**  
125 PSI (860 kPa)

**Maximum Inlet Temperature**  
180° F (82° C)

**Temperature Range**  
Std. 95° F (35° C) to 120° F (49° C)

**Temperature Differential – Hot to Mix**  
10° F (18° C)

**Flow Capacities – GPM (L/Min)**

Min. Flow	Pressure Drop – PSI (Bar)						
	5 (.5)	10 (1.0)	15 (1.5)	20 (2.0)	30 (2.5)	45 (3.0)	60 (4.0)
0.2 (0.8)	2.0 (7.5)	2.5 (9.0)	3.0 (11.0)	3.5 (13.0)	4.5 (17.0)	5.5 (19.0)	6.5 (24.5)

## Product Compliance

### Listed by IAPMO R&T to

- ASSE 1070/ASME A112.1070/CSA B125.70
- Uniform Plumbing Code (UPC)
- National Plumbing Code of Canada
- International Plumbing Code (IPC)

### Listed by ASSE International to

- ASSE 1070

### Listed by NSF International to

- NSF/ANSI 372

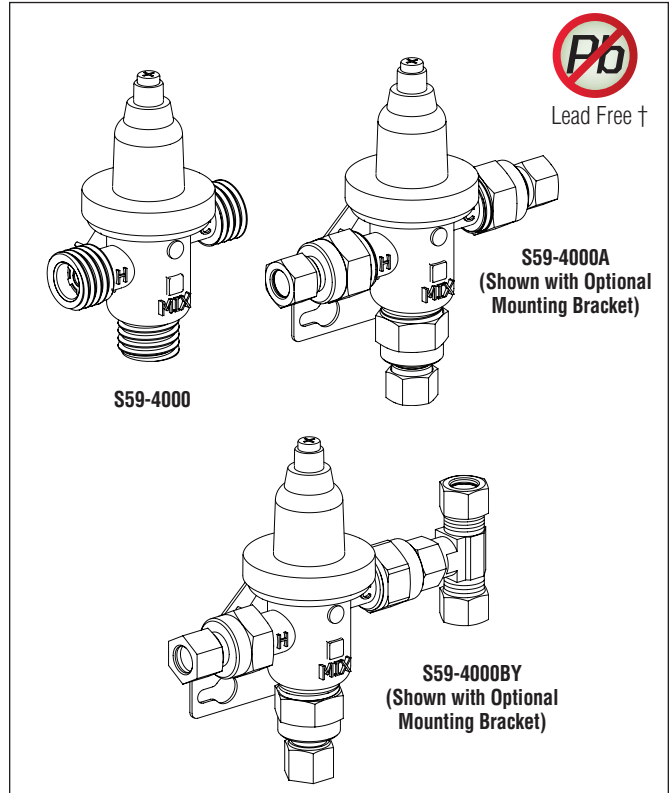


† Wetted surface contains less than .25% lead

Engineer's Approval \_\_\_\_\_

Consult local and national codes. Conformity and compliance to local and national codes is the responsibility of the installer.

Page 1 of 2 11/11/2019  
This information is subject to change without notice.  
Bradley\_TMV\_PointOfUse\_S59-4000\_A\_BY



## Models (Must select one)

Model	Description
<input type="checkbox"/> S59-4000	Navigator® Thermostatic Mixing Valve with 1/2" male NPT connection
<input type="checkbox"/> S59-4000A	Navigator Thermostatic Mixing Valve with 3/8" Compression Fittings
<input type="checkbox"/> S59-4000BY	Navigator Thermostatic Mixing Valve with 3/8" Compression Cold Side Bypass
<input type="checkbox"/> S45-2456	Optional Mounting Bracket

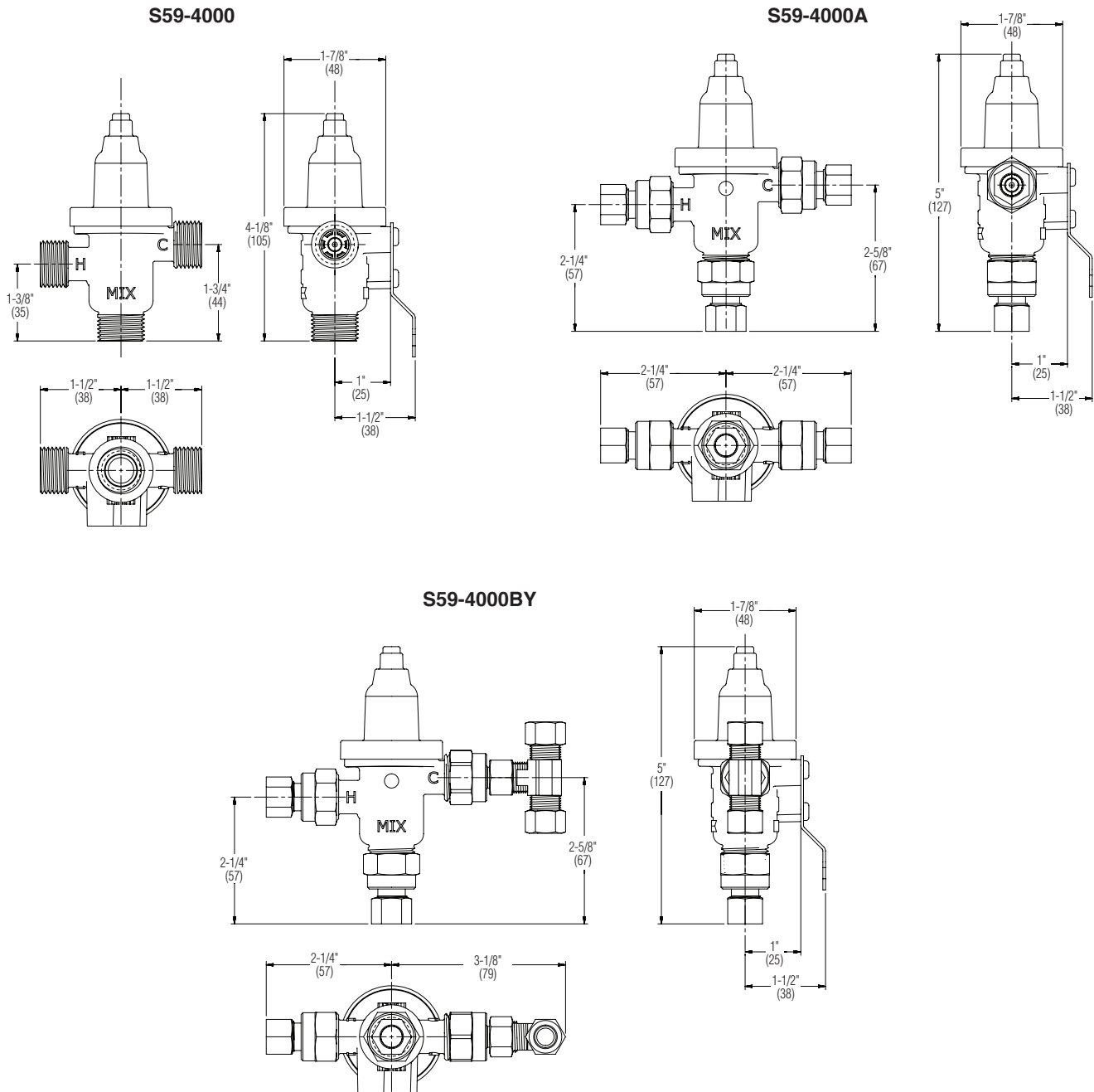
*Standard product selections contained within this document are third party LISTED to NSF/ANSI 372 meeting the Lead-Free content requirement. Any product configured with custom options will be COMPLIANT with NSF/ANSI 372 meeting the Lead-Free content requirement.*

© 2019 Bradley  
P.O. Box 309, Menomonee Falls, WI 53052-0309  
800 BRADLEY (800 272 3539) +1 262 251 6000  
bradleycorp.com



# S59-4000, S59-4000A, S59-4000BY Navigator® Thermostatic Mixing Valves

## Dimensions (mm)



Consult local and national codes. Conformity and compliance to local and national codes is the responsibility of the installer.