

CADET™ PEDESTAL SINK

- Classic vitreous china lavatory and pedestal
- Rear overflow
- Faucet ledge with generous shelf area
- Supplied with mounting kit

- 0236.411** Faucet holes on 4" (102mm) centers (Illustrated)
- 0236.811** Faucet holes on 8" (203mm) centers
- 0236.111** Center hole only

Nominal Dimensions:

622 x 508 x 889mm
(24-1/2" x 20" x 35")

Separate Components:

- 0236.004** Pedestal top - 4" (102mm) centers
- 0236.008** Pedestal top - 8" (203mm) centers
- 0236.001** Pedestal top - Center hole only
- 731100-400** Pedestal base only

Bowl Sizes:

508mm (20") wide
305mm (12") front to back
152mm (6") deep

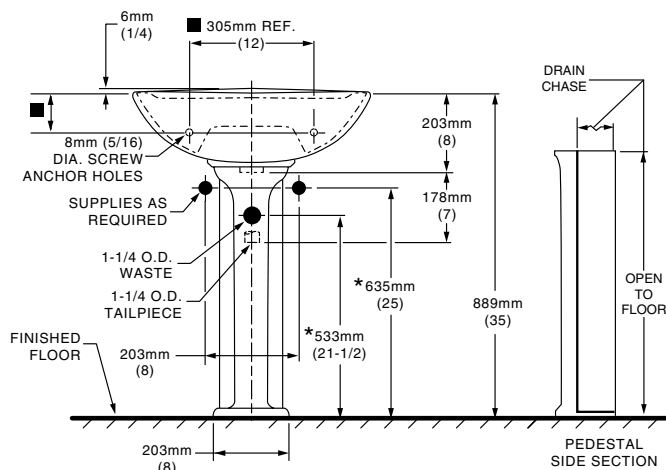
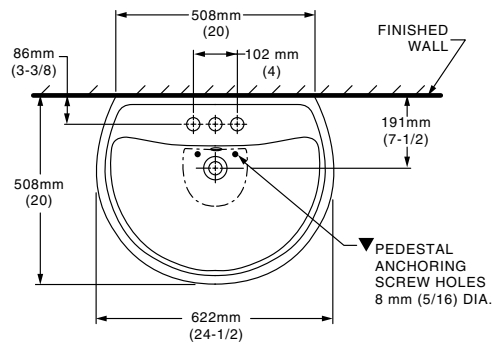
Compliance Certifications -

Meets or Exceeds the Following Specifications:

- ASME A112.19.2M for Vitreous China Fixtures

To Be Specified:

- Color: White Bone Linen
 Silver Fawn Beige Black
- Faucet:
- Faucet Finish:
- Supplies:
- 1-1/4" Trap:



NOTES:

* DIMENSIONS SHOWN FOR LOCATION OF SUPPLIES AND "P" TRAPS ARE SUGGESTED.

▼ PEDESTAL ANCHORING SCREWS NOT INCLUDED.

■ SUITABLE FOR REINFORCEMENT ONLY. ACTUAL DIMENSIONS MUST BE TAKEN FROM FIXTURE.

FITTING NOT INCLUDED AND MUST BE ORDERED SEPARATELY. PROVIDE SUITABLE REINFORCEMENT FOR ALL WALL SUPPORTS. INSTALLATION INSTRUCTIONS SUPPLIED WITH LAVATORY.

IMPORTANT: Dimensions of fixtures are nominal and may vary within the range of tolerance established by ANSI Standard A112.19.2. These measurements are subject to change or cancellation. No responsibility is assumed for use of superseded or voided pages.