

**EDGEMERE® PEDESTAL SINK**

- 0445.800** Faucet holes on 8" (203mm) centers
- 0445.400** Faucet holes on 4" (102mm) centers
- 0445.100** Center hole only
  - Fine fireclay
  - Classic styled rectangular pedestal lavatory
  - Rear overflow
  - Supplied with mounting kit
  - Right Height® for greater comfort during use
  - Faucet ledge with large deck area (faucet not included)
  - **Design coordinates with Edgemere® Fixtures and Faucets**
  - Pedestal tops can also be used with Edgemere Console Table



**Nominal Dimensions:**

25" x 19-1/2" x 35-5/8"  
(635 x 495 x 905mm)

- 0445.008** Pedestal top-8" (203mm) centers
- 0445.004** Pedestal top-4" (102mm) centers
- 0445.001** Pedestal top-center hole only
- 0039.000** Pedestal only
- 8719.000** Console table
- 7720.018** Optional decorative p-trap drain (not shown)

**Bowl sizes:**

17-1/8" (435mm) wide,  
12" (305mm) front to back,  
5-1/4" (133mm) deep

**Compliance Certifications -**

**Meets or Exceeds the Following Specifications:**

- ASME A112.19.2/CSA B45.1

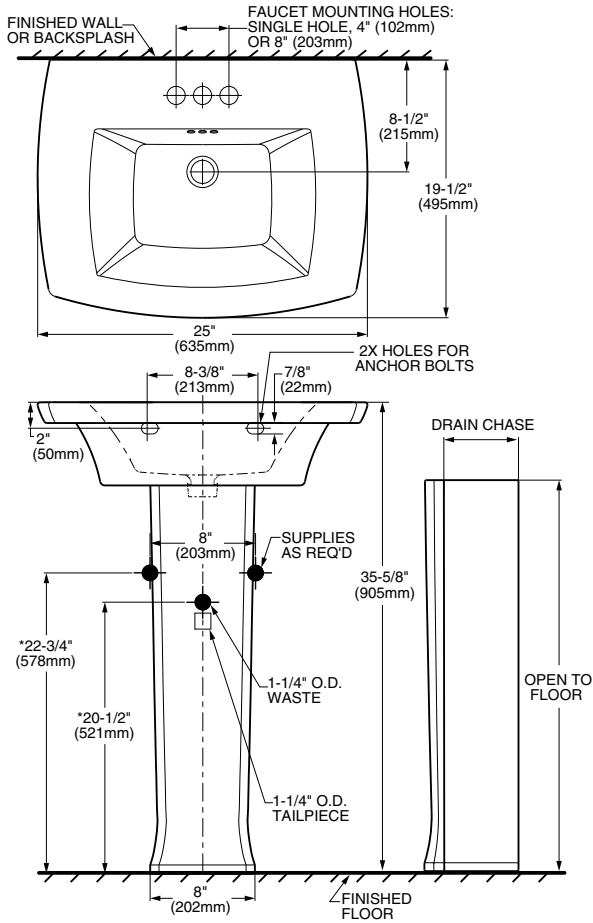
**To Be Specified:**

- Color:  White
- Console Finish:  Chrome  Brushed Nickel
- Faucet Finish:
- Supplies:
- P-Trap:  Chrome  Brushed Nickel
- Nipple:

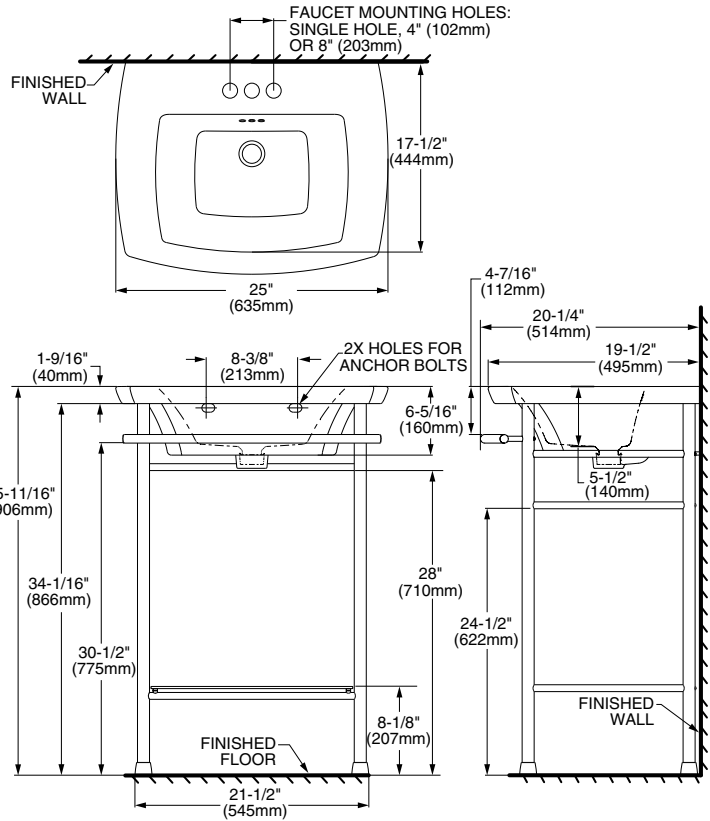
\* See faucet section for additional models available



SEE REVERSE FOR ROUGHING-IN DIMENSIONS



**PEDESTAL CONFIGURATIONS**



**METAL CONSOLE CONFIGURATIONS**

**NOTES:**

- \* DIMENSIONS SHOWN FOR LOCATION OF SUPPLIES AND "P" TRAPS ARE SUGGESTED.
- ▼ PEDESTAL ANCHORING SCREWS NOT INCLUDED.
- SUITABLE FOR REINFORCEMENT ONLY. ACTUAL DIMENSIONS MUST BE TAKEN FROM FIXTURE.
- FITTING NOT INCLUDED AND MUST BE ORDERED SEPARATELY.
- PROVIDE SUITABLE REINFORCEMENT FOR ALL WALL SUPPORTS.
- INSTALLATION INSTRUCTIONS SUPPLIED WITH LAVATORY.

**IMPORTANT:** Dimensions of fixtures are nominal and may vary within the range of tolerance established by ANSI Standard A112.19.2. These measurements are subject to change or cancellation. No responsibility is assumed for use of superseded or voided pages.