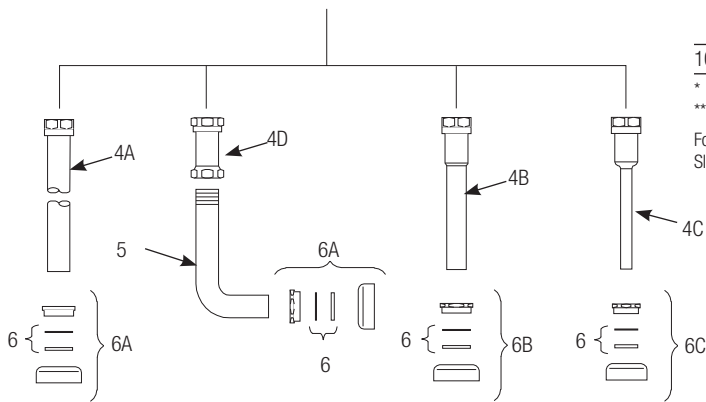
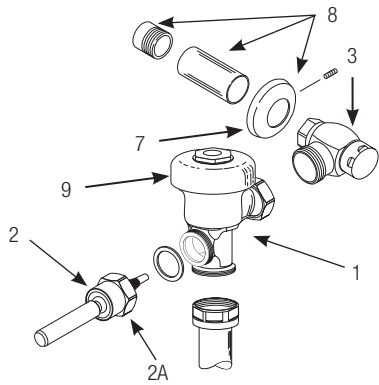


# Sloan Flushometer

Manual Flushometers



## PARTS LIST

Item No.	Code No.	Part No.	Description
1.	—	A-3-A	Valve Assembly – contact Tech Support for proper assembly
2.	<b>0302390</b>	B-73-A	ADA Compliant Handle Assembly
2A.	<b>0301082</b>	A-6	CP Handle Coupling
3.	—	H-710-A	Bak-Chek® Control Stop – 3/4" or 1"
4A.	<b>5323007</b>	V-500-AA	1-1/2" (38 mm) x 9" (229 mm) Vacuum Breaker Assembly ** – 6 per package
4B.	<b>5323006</b>	V-500-AA	1-1/4" (32 mm) x 9" (229 mm) Vacuum Breaker Assembly – 6 per package
4C.	<b>5323005</b>	V-500-AA	3/4" (19 mm) x 9" (229 mm) Vacuum Breaker Assembly – 6 per package
4D.	—	V-500-A	Vacuum Breaker Assembly
5.	<b>0396293</b>	F-109	1-1/2" (38 mm) Elbow Flush Connection
6.	<b>SEE SLIP JOINT GASKETS AND RINGS TABLE BELOW</b>		
6A.	<b>0306145</b>	F-56-A	1-1/2" (38 mm) Spud Coupling Assembly
6B.	<b>0306142</b>	F-55-A	1-1/4" (32 mm) Spud Coupling Assembly
6C.	<b>0306102</b>	F-54-A	3/4" (19 mm) Spud Coupling Assembly
7.	—	F-7	Supply Flange (Supplied when Valve is not Ordered with Sweat Solder Kit)
8.	<b>3308782</b>	H-633-AA	1" (25 mm) Sweat Solder Kit with Cast Set Screw Flange
	<b>3308788</b>	H-636-AA	3/4" (19 mm) Sweat Solder Kit with Cast Set Screw Flange
9.	<b>0378000PKSV-10</b>		CP Sloan Cover
	<b>0378003PKSV-10-HE</b>		CP High Efficiency Sloan Cover
10.	<b>3388015</b>	H-1015	Flow Control Kit (not Shown)(HEU Only)

\* Part number varies with valve model variation; consult factory.

\*\* Length varies with valve model variation; consult factory.

For optimum water conservation and flushometer performance, use only Genuine Sloan Parts.

## ITEM 6. SLIP JOINT GASKETS AND RINGS

Size	Code No.	Part No.	Description
1-1/2"	<b>5306058</b>	F-3	Red Friction Ring
	<b>5322001</b>	VBF-5	Black Slip Joint Gasket
	<b>0319086/5319086</b>	S-30	Flexible Seat
	<b>0319079</b>	S-21	Rigid Seat (rubber over brass)
1-1/2" x 1-1/4"	<b>0396062</b>	F-105	Slip Joint Gasket – Rigid
1-1/4"	<b>5306057</b>	F-3	Red Friction Ring
	<b>5322176</b>	VBF-5	Black Slip Joint Gasket
	<b>0307052/5307052</b>	G-21	Rigid Seat (rubber over brass)
1"	<b>5306056</b>	F-3	Red Friction Ring
	<b>5306115</b>	F-5	Black Slip Joint Gasket
3/4"	<b>5306055</b>	F-3	Red Friction Ring
	<b>5306113</b>	F-5	Black Slip Joint Gasket

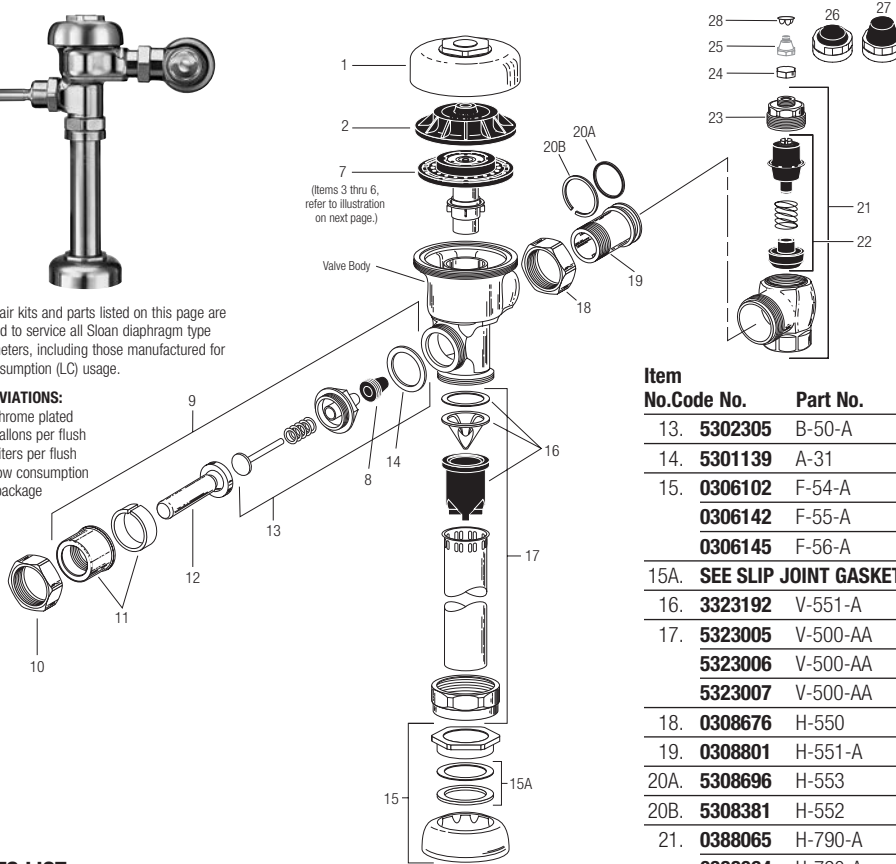
# Regal® Flushometer

NOTE: Also for use with Regal® XL  
(Since mid-2010)



The repair kits and parts listed on this page are designed to service all Sloan diaphragm type flushometers, including those manufactured for low consumption (LC) usage.

**ABBREVIATIONS:**  
CP = Chrome plated  
gpf = gallons per flush  
Lpf = Liters per flush  
LC = Low consumption  
pkg = package



## TAILPIECES, CONTROL STOPS AND FLUSH CONNECTIONS

For additional information on tailpieces, control stops and flush connections see Showerheads, Parts and Accessories Tab.

### PARTS LIST

Item No.	Code No.	Part No.	Description
1.	0317004	R-10	CP Cover
	—	R-10-HE	CP High Efficiency Cover
2.	0301168	A-71	Inside Cover
<b>SEE ITEMS 3A THROUGH 6E IN CHART ON NEXT PAGE</b>			
3A.	5301058	A-19-AC	Relief Valve, White (Closet) – 12 per package
3B.	5301059	A-19-AU	Relief Valve, Black (Urinal) – 12 per package
3C.	5301211	A-19-ALC	Relief Valve, Green (Closet/Urinal-LC) – 12 per package
3D.	0301143	A-19-AL	Relief Valve, Blue (9 Liter Closet)
4.	5301111	A-15-A	Disc – for all Inside Parts Kits – 12 per package
5.	5301188	A-156-A	Diaphragm – for all Inside Parts Kits – 12 per package
6A.	5301236	A-163-A	Guide Assembly 4.5 gpf/17.0 Lpf Closet & 1.5 gpf/5.7 Lpf Urinal – 12 per package
6B.	5301032	A-152-A	Guide Assembly 3.5 gpf/13.2 Lpf Closet – 12 per package
6C.	5301031	A-151-A	Guide Assembly 1.6 gpf/6.0 Lpf LC Closet – 12 per package
6D.	5301155	A-155-A	Guide Assembly 1.0 gpf/3.8 Lpf LC Urinal – 12 per package
6E.	5301157	A-157-A	Guide Assembly 0.5 gpf/1.9 Lpf Urinal – 12 per package
7.	<b>SEE INSIDE PARTS KITS CHART ON NEXT PAGE</b>		
8.	5302297	B-39	Seal – 12 per package
9.	5302279	B-32-A	CP Handle Assembly – 6 per package
	0302390	B-73-A	CP Handicap Handle Assembly (ADA Compliant)
10.	0301082	A-6	CP Handle Coupling
11.	0302109	B-7-A	CP Socket Assembly
12.	5302274	B-32	CP Handle Grip – 12 per package
	0302389	B-74-A	CP Handicap Handle Grip (ADA Compliant)

Item No.	Code No.	Part No.	Description
13.	5302305	B-50-A	Handle Repair Kit – 6 per package
14.	5301139	A-31	Handle Gasket – 48 per package
15.	0306102	F-54-A	3/4" CP Spud Coupling Assembly
	0306142	F-55-A	1-1/4" CP Spud Coupling Assembly
	0306145	F-56-A	1-1/2" CP Spud Coupling Assembly
15A.	<b>SEE SLIP JOINT GASKETS AND RINGS TABLE BELOW</b>		
16.	3323192	V-551-A	Vacuum Breaker Repair Kit
17.	5323005	V-500-AA	3/4" x 9" CP Vacuum Breaker – 6 per package
	5323006	V-500-AA	1-1/4" x 9" CP Vacuum Breaker – 6 per package
	5323007	V-500-AA	1-1/2" x 9" CP Vacuum Breaker – 6 per package
18.	0308676	H-550	CP Stop Coupling †
19.	0308801	H-551-A	CP Adjustable Tailpiece 2-1/16" long †
20A.	5308696	H-553	O-ring – 24 per package
20B.	5308381	H-552	Locking ring – 12 per package
21.	0388065	H-790-A	1" Screwdriver Bak-Chek® Stop CP – complete
	0388064	H-790-A	3/4" Screwdriver Bak-Chek® Stop CP – complete
	0388029	H-740-A	1" Screwdriver Bak-Chek® Stop CP – <b>OBSELETE</b>
	0388031	H-740-A	3/4" Screwdriver Bak-Chek® Stop CP – <b>OBSELETE</b>
22.	3308853	H-541-ASD	1" Control Stop Repair Kit *
	3308856	H-543-ASD	3/4" Control Stop Repair Kit **
23.	0308612	H-622	CP Bonnet (Current Regal)
	0308991	H-639	CP Bonnet – Pre 2010 Regal Stops*
	0308601	H-538	CP Bonnet ** – <b>OBSELETE</b>
24.	5388001	H-1012-A	CP Cap – 6 per package VP
25.	5310034	J-2/J-7	Bumper Assembly – 6 per package – <b>OBSELETE</b>
26.	3308866	H-574	Stop Cap, chrome plated with Seat Bumper (-YO)
27.	3308867	H-576	Stop Cap, chrome plated with Extended Seat Bumper (-YG)
28.	5388002	H-528	Hole Plug
29.	3388015	H-1015	Flow Control Kit (HEU Only) (not Shown)

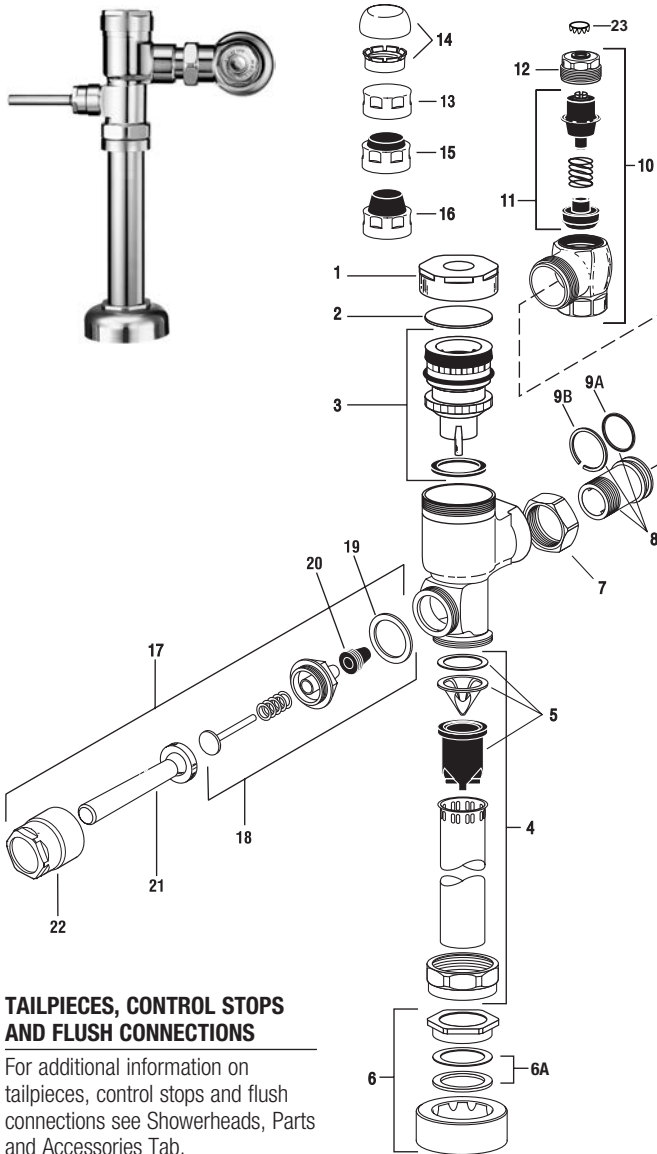
† See pages 100-101 for additional lengths  
\*For use with 1" and 3/4" H-740-A CP (less cap) and 1" – H-540-A CP (with H-37 cap) Bak-Chek® screwdriver control stops  
\*\*For use with 3/4" H-740-A CP Bak-Chek® screwdriver control stops

### ITEM 15A. SLIP JOINT GASKETS AND RINGS

Size	Code No.	Part No.	Description
1-1/2"	5306058	F-3	Red Friction Ring
	5322001	VPF-5	Black Slip Joint Gasket
	0319086/5319086	S-30	Flexible Seat
1-1/4"	0319079	S-21	Rigid Seat (rubber over brass)
	0396062	F-105	Slip Joint Gasket – Rigid
1-1/4"	5306057	F-3	Red Friction Ring
	5322176	VPF-5	Black Slip Joint Gasket
1"	0307052/5307052	G-21	Rigid Seat (rubber over brass)
	5306056	F-3	Red Friction Ring
3/4"	5306115	F-5	Black Slip Joint Gasket
	5306055	F-3	Red Friction Ring
	5306113	F-5	Black Slip Joint Gasket

**Gem•2® Flushometer**

Manual Flushometers



**TAILPIECES, CONTROL STOPS AND FLUSH CONNECTIONS**

For additional information on tailpieces, control stops and flush connections see Showerheads, Parts and Accessories Tab.

**ITEM 6A. SLIP JOINT GASKETS AND RINGS**

Size	Code No.	Part No.	Description
1-1/2"	<b>5306058</b>	F-3	Red Friction Ring
	<b>5322001</b>	VBF-5	Black Slip Joint Gasket
	<b>0319086/5319086</b>	S-30	Flexible Seat
	<b>0319079</b>	S-21	Rigid Seat (rubber over brass)
1-1/2" x 1-1/4"	<b>0396062</b>	F-105	Slip Joint Gasket – Rigid
1-1/4"	<b>5306057</b>	F-3	Red Friction Ring
	<b>5322176</b>	VBF-5	Black Slip Joint Gasket
	<b>0307052/5307052</b>	G-21	Rigid Seat (rubber over brass)
1"	<b>5306056</b>	F-3	Red Friction Ring
	<b>5306115</b>	F-5	Black Slip Joint Gasket
3/4"	<b>5306055</b>	F-3	Red Friction Ring
	<b>5306113</b>	F-5	Black Slip Joint Gasket

**PARTS LIST**

Item No.	Code No.	Part No.	Description
1.	<b>0307142</b>	G-105	CP Cover
2.	<b>0307139</b>	G-106	Slip Disc
3.	<b>3307135</b>	G-1022-A	Piston Kit – 1.28 gpf/4.8 Lpf Water Closet
	<b>0307193</b>	G-1007-A	Piston Kit – 3.5 gpf/13.2 Lpf Water Closet
	<b>0307195</b>	G-1016-A	Piston Kit – 1.6 gpf/6 Lpf Water Closet
	<b>0307192</b>	G-1009-A	Piston Kit – 1.5 gpf/5.7 Lpf Urinal
	<b>0307185</b>	G-1017-A	Piston Kit – 1.0 gpf/3.8 Lpf Urinal
	<b>3307133</b>	G-1018-A	Piston Kit – 0.5 gpf/1.9 Lpf Urinal
	<b>3307134</b>	G-1019-A	Piston Kit – 2.4 gpf/9.0 Lpf Water Closet
	<b>3307136</b>	G-1023-A	Piston Kit – 0.125 gpf/0.5 Lpf Urinal
	<b>3307137</b>	G-1024-A	Piston Kit – 0.25 gpf/1.0 Lpf Urinal

**PISTON KITS FOR OLD STYLE ADJUSTABLE GEM FLUSHOMETERS**

	<b>0307043</b>	G-1003-A	Piston Kit – Water Closet
	<b>0307044</b>	G-1002-A	Piston Kit – Urinal

**ALL PISTON KITS INCLUDE G-21 MAIN SEAT (See next page)**

4.	<b>5323005</b>	V-500-AA	3/4" x 9" Vacuum Breaker – 6 per package
	<b>5323006</b>	V-500-AA	1-1/4" x 9" Vacuum Breaker – 6 per package
	<b>5323007</b>	V-500-AA	1-1/2" x 9" Vacuum Breaker – 6 per package
5.	<b>3323192</b>	V-551-A	Vacuum Breaker Repair Kit
6.	<b>3332002</b>	CR-1010-A	1-1/2" (38 mm) Spud Coupling
	<b>3332001</b>	CR-1009-A	1-1/4" (32 mm) Spud Coupling
	<b>3332000</b>	CR-1008-A	3/4" (19 mm) Spud Coupling

**6A. SEE SLIP JOINT GASKETS AND RINGS TABLE BELOW LEFT**

7.	<b>0308676</b>	H-550	Stop Coupling
8.	<b>0308801</b>	H-551-A	Adjustable Tailpiece 2-1/16" (Standard Length)
9A.	<b>5308696</b>	H-553	O-ring – 24 per package
9B.	<b>5308381</b>	H-552	Locking ring – 12 per package
10.	<b>3308876</b>	H-790-A	1" Screwdriver Bak-Chek® Stop CP – complete
	<b>3308875</b>	H-790-A	3/4" Screwdriver Bak-Chek® Stop CP – complete
11.	<b>3308853</b>	H-541-A	Control Stop Repair Kit*
	<b>3308856</b>	H-543-A	Control Stop Repair Kit**
12.	<b>0308612</b>	H-622	CP Bonnet*
	<b>0308843</b>	H-577	CP Bonnet** – <b>OBSOLETE</b>
13.	<b>3308840</b>	H-573-A	Control Stop Cap**
14.	<b>3388017</b>	H-1017	Flow Control (HEU Only) (Not Shown)
15.	<b>3308866</b>	H-574	Control Stop w/Bumper (-YO Variation)*
16.	<b>3308867</b>	H-576	Control Stop w/Extended Bumper (-YG Variation)*

**HANDLE REPAIR KIT**

17.	<b>0307100</b>	G-143	Handle Assembly
18.	<b>5307074</b>	G-50-A	Handle Repair Kit – 6 per package
19.	<b>5307065</b>	G-35	Handle Gasket – 48 per package
20.	<b>5302297</b>	B-39	Handle Seal – 12 per package
21.	<b>0307024</b>	G-145	Handle Grip
22.	<b>0307020</b>	G-144	Handle Socket
23.	<b>3308840</b>	H-528	Control Stop Plug CP* Standard on XL

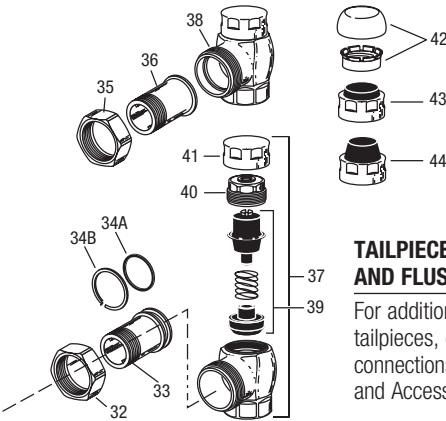
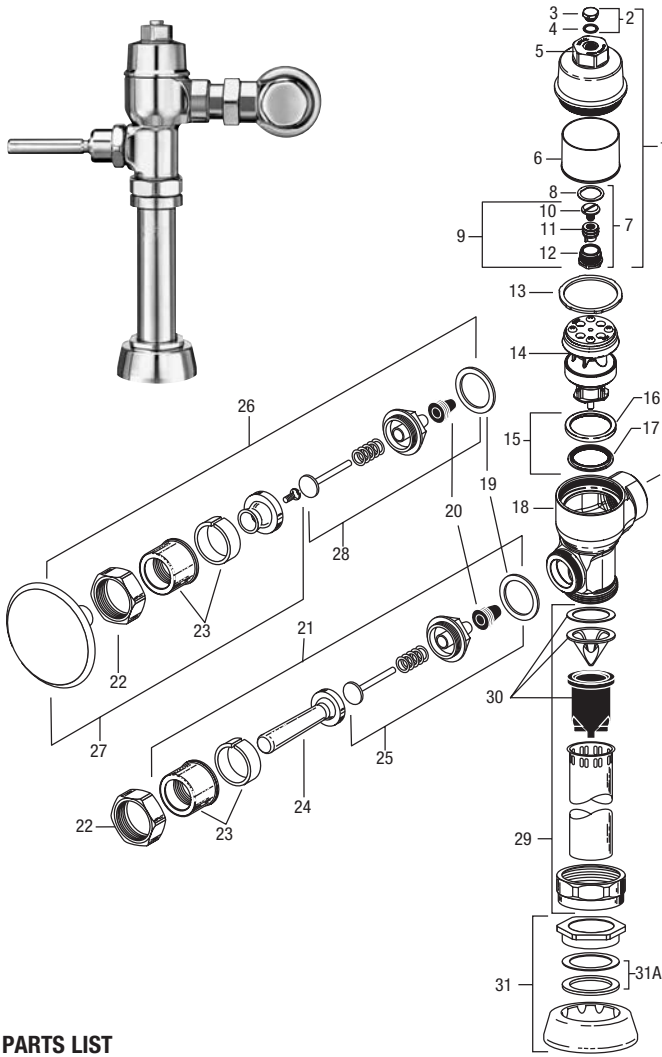
\*For use with 1" and 3/4" H-700-A and 1" H-600-A Bak-Chek® screwdriver control stop

\*\*For use with 3/4" H-600-A Bak-Chek® screwdriver control stop

# Naval® Flushometer

Also for use with Crown® (Old style), Star and Marine

Manual Flushometers



### TAILPIECES, CONTROL STOPS AND FLUSH CONNECTIONS

For additional information on tailpieces, control stops and flush connections see Showerheads, Parts and Accessories Tab.

### PARTS LIST

Item No.	Code No.	Part No.	Description
1.	0314229	CN-86-A	Cover Assembly CP
	0314310	CN-89-A	Cover Assembly CP One Pint* 1.6 gpf/6.0 Lpf, 1.0 gpf/3.8 Lpf
2.	5314010	CN-1007-A	Cap Screw Repair Kit – 6 per package
3.	0314208	CN-36	Cover Screw CP
4.	0314209	CN-30	Cover Screw Gasket
5.	0314304	CN-84	Cover
6.	0214019	CN-55	Cover Liner
7.	3314015	CN-1008-A	Regulating Screw Repair Kit**
8.	0314303	CN-81	Volume Adjustment Gasket
9.	0314315	CN-88-A	Low Consumption Volume Adjustment Sleeve Sub-Assembly 1.6 gpf/6.0 Lpf, 1.0 gpf/3.8 Lpf
10.	0314302	CN-80	Volume Adjustment Screw
11.	0314300	CN-78	Volume Adjustment Sleeve
	0314307	CN-87	Volume Adjustment Sleeve One Pint***
12.	0314301	CN-79	Volume Adjustment Housing
13.	5314243	CN-76	Cover Gasket – 12 per package
14.	0314016	CN-1002-A	Piston – Closet
	0314017	CN-1003-A	Piston – Urinal
15.	0314234	CN-21-A	Main Seat Assembly
16.	0314224	CN-111-A	Main Seat
17.	0314220	CN-113	Main Seat Ring
18.	0314020	CN-3	Body CP (Not sold separately)
19.	5301139	A-31	Handle Gasket – 48 per package

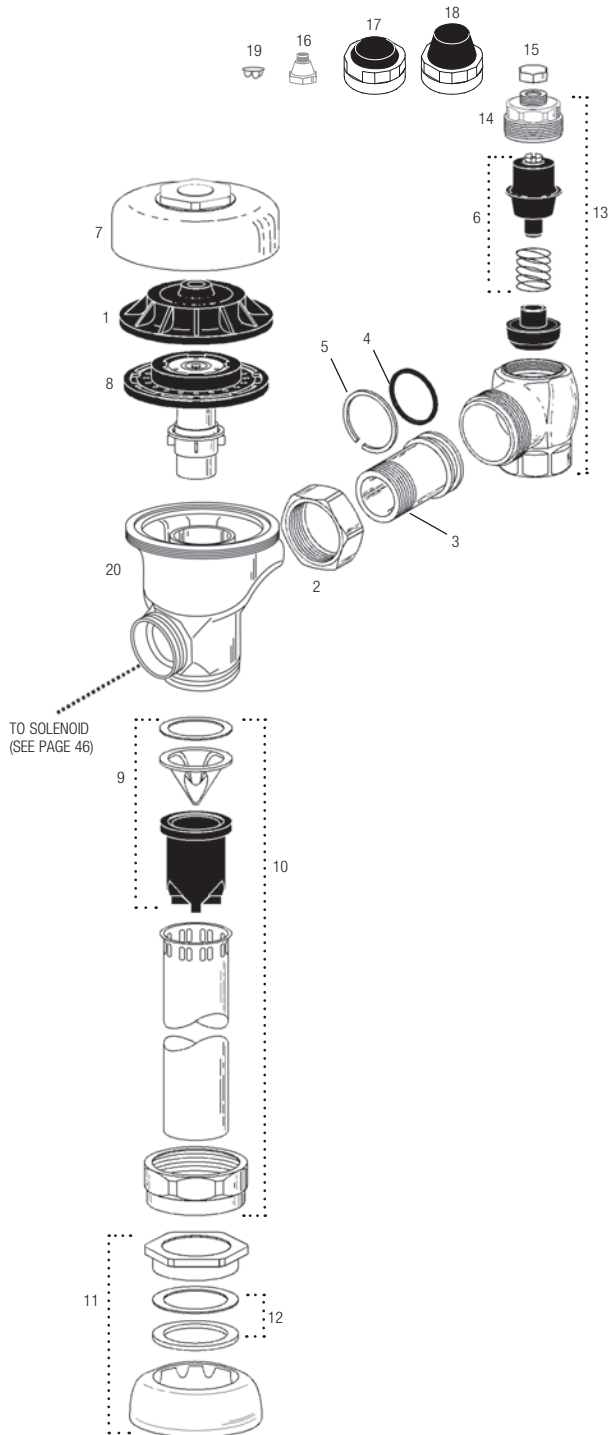
Item No.	Code No.	Part No.	Description
20.	5302297	B-39	Handle Seal – 12 per package
21.	0302390	B-73-A	Triple Seal Handicap Handle Assembly (ADA Compliant)
22.	0301082	A-6	Handle Coupling CP
23.	0302109	B-7-A	Socket Assembly CP
24.	0302389	B-74-A	Handicap Handle Grip CP (ADA Compliant)
25.	3302306	B-51-A	Triple Seal Handle Repair Kit – 1 per package
26.	0303351	C-42-A	3" Push Button Assembly CP
27.	3303347	C-1000-A	3" Push Button Replacement Kit
28.	3303396	C-64-A	3" Push Button Repair Kit
29.	5323005	V-500-AA	3/4" x 9" Vacuum Breaker
	5323006	V-500-AA	1-1/4" x 9" Vacuum Breaker
	5323007	V-500-AA	1-1/2" x 9" Vacuum Breaker
30.	3323192	V-551-A	Vacuum Breaker Repair Kit
31.	0306125	F-5-AW	3/4" Spud Coupling CP
	0306140	F-5-AU	1-1/4" Spud Coupling CP
	0306146	F-5-AT	1-1/2" Spud Coupling CP
31A.	<b>SEE SLIP JOINT GASKETS AND RINGS TABLE ON BOTTOM, PAGE 30</b>		
32.	0308676	H-550	Stop Coupling CP
33.	0314289	NH-551-A	Adjustable Tailpiece 2-1/16" CP
34A.	5308696	H-553	O-ring – 24 per package
34B.	5308381	H-552	Locking ring – 12 per package
35.	0308063	H-6	Ground Joint Stop Coupling CP
36.	0314028	NH-5	Ground Joint Tailpiece 1-5/8"
	0388022	H-710-A	1" Adjustable Tailpiece SD Bak-Chek® Control Stop CP
37.	0388025	H-710-A	3/4" Adjustable Tailpiece SD Bak-Chek® Control Stop CP
	0388024	H-710-AG	1" Ground Joint Screwdriver Bak-Chek® Control Stop CP
38.	0388026	H-710-AG	3/4" Ground Joint Screwdriver Bak-Chek® Control Stop CP
	3308853	H-541-A	Control Stop Repair Kit †
39.	3308856	H-543-A	Control Stop Repair Kit †
	0308612	H-622	Bonnet CP †
40.	0308843	H-577	Bonnet CP † – <b>OBSELETE</b>
	0308840	H-573	Control Stop Cap CP †
41.	0308848	H-582	Control Stop Cap CP †
	3308772	H-1010-A	Vandal Resistant Stop Cap Assembly †
42.	3308790	H-1009-A	Vandal Resistant Stop Cap Assembly †
	3308866	H-574	Control Stop Cap with Bumper †
43.	3308867	H-576	Control Stop Cap with Extended Bumper†

\* Use CN-89-A Cover Assembly One-Pint for reduced flush volumes 1.6 gpf/6.0 Lpf, 1.0 gpf/3.8 Lpf  
 \*\* CN-1008-A Regulating Screw Repair Kit contains the parts shown plus the parts for old style adjusting screw as currently shown on the repair guide (CN-24, CN-25, CN-26, CN-61)  
 \*\*\* Use CN-87 Volume Adjustment Sleeve One-Pint for reduced flush volumes  
 † For use with 1" and 3/4" H-740-A-CP (less cap) and 1" H-540-A-CP (w/H-37 cap) Bak-Chek® screwdriver control stops  
 ‡ For use with 3/4" H-740-A-CP Bak-Chek® screwdriver control stops

# Optima® Regal® Flushometers

NOTE: Also for use with Regal® XL  
(Since mid-2010)

Sensor Flushometers



## OPTIMA® REGAL® FLUSHOMETER PARTS LIST

Item No.	Code No.	Part No.	Description
1.	<b>0301168</b>	A-71	Inside Cover
2.	<b>0308676</b>	H-550	CP Stop Coupling
3.	<b>0308801</b>	H-551-A	CP Adjustable Tail 2-1/16" (52 mm) long
4.	<b>5308696</b>	H-553	O-Ring – 24 per package
5.	<b>5308381</b>	H-552	Locking ring – 12 per package
6.	<b>3308853</b>	H-541-A-SD	Control Stop Repair Kit for use with 1" (25 mm) H-700-A & 3/4" (19 mm) H-700-A, 1" (25 mm) H-600-A, 1" (25 mm) & 3/4" (19 mm) H-700-A and 1" (25 mm) H-540-A SD Stops
	<b>3308856</b>	H-543-A-SD	Control Stop Repair Kit for use with 3/4" (19 mm) H-600-A
7.	<b>0317004</b>	R-10	CP Cover
8.	<b>SEE INSIDE PARTS ASSEMBLY CHART ON PAGE 42</b>		
9.	<b>3323192</b>	V-551-A	Vacuum Breaker Repair Kit
10.	<b>5323005</b>	V-500-AA	3/4" (19 mm) x 9" (229 mm) CP Vacuum Breaker
	<b>5323006</b>	V-500-AA	1-1/4" (32 mm) x 9" (229 mm) CP Vacuum Breaker
	<b>5323007</b>	V-500-AA	1-1/2" (38 mm) x 9" (229 mm) CP Vacuum Breaker
11.	<b>0306102</b>	F-54-A	3/4" (19 mm) CP Spud Coupling Assembly
	<b>0306142</b>	F-55-A	1-1/4" (32 mm) CP Spud Coupling Assembly
	<b>0306145</b>	F-56-A	1-1/2" (38 mm) CP Spud Coupling Assembly
12.	<b>SEE SLIP JOINT GASKETS AND RINGS TABLE BELOW</b>		
13.	<b>0388065</b>	H-790-A	1" Screwdriver Stop Adjustable
	<b>0388064</b>	H-790-A	3/4" Screwdriver Stop Adjustable
	<b>0388029</b>	H-740-A	1" (25 mm) SD Bak-Chek® Stop CP – complete <b>OBSOLETE</b>
	<b>0388031</b>	H-740-A	3/4" (19 mm) SD Bak-Chek® Stop CP – complete <b>OBSOLETE</b>
14.	<b>0308612</b>	H-622	CP Bonnet (Current Regal®)
	<b>0308991</b>	H-639	CP Bonnet for use with 1" (25 mm) & 3/4" (19 mm) H-700-A and 1" (25 mm) H-540-A SD Stops – Pre 2010 Regal® Stops
	<b>0308601</b>	H-538	CP Bonnet for use with H-700-A 3/4" (19 mm) SD Stop – <b>OBSOLETE</b>
15.	<b>5388001</b>	H-1012-A	CP Cap – 6 per package VP
16.	<b>5310034</b>	J-2/J-7	Bumper Assembly – 6 per package – <b>OBSOLETE</b>
17.	<b>3308866</b>	H-574	Stop Cap, chrome plated with Seat Bumper (-YO)
18.	<b>3308867</b>	H-576	Stop Cap, chrome plated with Extended Seat Bumper (-YG)
19.	<b>5388002</b>	H-528	Hole Plug
20.	<b>0301048</b>	A-143-A	CP Valve Body
	<b>0301050</b>	A-143-A	RB Valve Body
	<b>3388015</b>	H-1015-A	Flow Control Kit (HEU Only (not Shown))

NOTE: Also refer to the Royal®, Regal®, control stop and flush connection sections.

## ITEM 31A. SLIP JOINT GASKETS AND RINGS

Size	Code No.	Part No.	Description
1-1/2"	<b>5306058</b>	F-3	Red Friction Ring
	<b>5322001</b>	VBF-5	Black Slip Joint Gasket
	<b>0319086/5319086</b>	S-30	Flexible Seat
	<b>0319079</b>	S-21	Rigid Seat (rubber over brass)
1-1/2" x 1-1/4"	<b>0396062</b>	F-105	Slip Joint Gasket – Rigid
1-1/4"	<b>5306057</b>	F-3	Red Friction Ring
	<b>5322176</b>	VBF-5	Black Slip Joint Gasket
	<b>0307052/5307052</b>	G-21	Rigid Seat (rubber over brass)
1"	<b>5306056</b>	F-3	Red Friction Ring
	<b>5306115</b>	F-5	Black Slip Joint Gasket
3/4"	<b>5306055</b>	F-3	Red Friction Ring
	<b>5306113</b>	F-5	Black Slip Joint Gasket