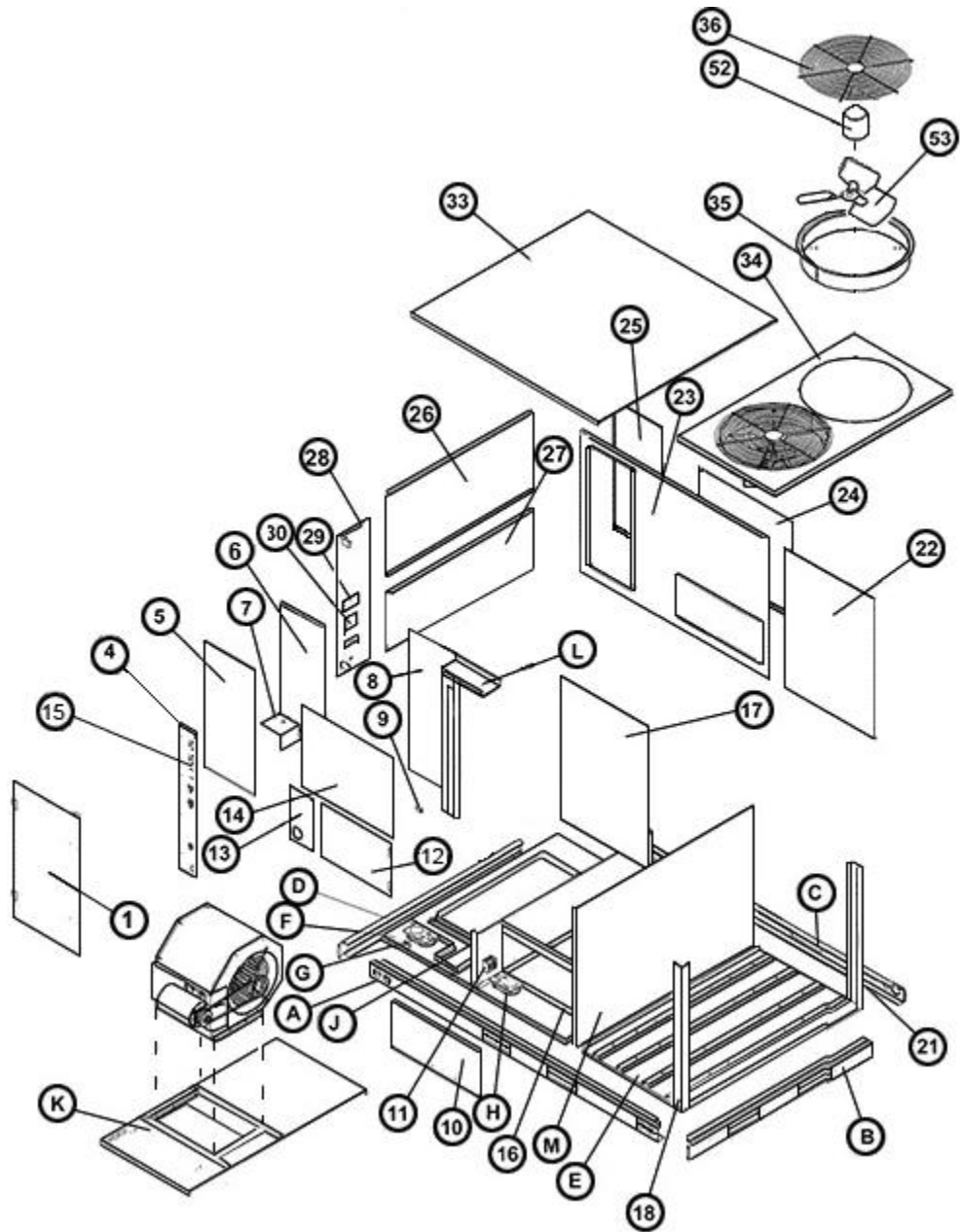


No.	Notes	MODEL TECHNICAL VARIATION COOLING CAPACITY	RLNL- B 072-151	RLNL- B 072-151	RLNL- B 072-151	RLNL- B 072-151	RLNL- B 072-151
<b>ELECTRIC HEATER KITS - ELECTRICAL DESIGNATION C</b>							
		Electric Element Kits - Option	RXJJ-CC10C	RXJJ-CC15C	RXJJ-CC20C	RXJJ-CC30C	RXJJ-CC31C
		Electric Element Kits - Option	RXJJ-CC40C	RXJJ-CC41C	RXJJ-CC50C	RXJJ-CC51C	
<b>ELECTRIC HEATER KITS - ELECTRICAL DESIGNATION D</b>							
		Electric Element Kits - Option	RXJJ-CC10D	RXJJ-CC15D	RXJJ-CC20D	RXJJ-CC30D	RXJJ-CC31D
		Electric Element Kits - Option	RXJJ-CC40D	RXJJ-CC50D	RXJJ-CC51D		
<b>ELECTRIC HEATER KITS - ELECTRICAL DESIGNATION Y</b>							
		Electric Element Kits - Option	RXJJ-CC10Y	RXJJ-CC15Y	RXJJ-CC20Y	RXJJ-CC30Y	RXJJ-CC40Y
		Electric Element Kits - Option	RXJJ-CC50Y				

No.	Notes	MODEL TECHNICAL VARIATION COOLING CAPACITY	RLNL- B 180-300	RLNL- B 180-300	RLNL- B 180-300	RLNL- B 180-300	
<b>ELECTRIC HEATER KITS - ELECTRICAL DESIGNATION C</b>							
		Electric Element Kits - Option	RXJJ-CE20C	RXJJ-CE40C	RXJJ-CE60C	RXJJ-CE75C	
<b>ELECTRIC HEATER KITS - ELECTRICAL DESIGNATION D</b>							
		Electric Element Kits - Option	RXJJ-CE20D	RXJJ-CE40D	RXJJ-CE60D	RXJJ-CE75D	
<b>ELECTRIC HEATER KITS - ELECTRICAL DESIGNATION Y</b>							
		Electric Element Kits - Option	RXJJ-CE20Y	RXJJ-CE40Y	RXJJ-CE60Y	RXJJ-CE75Y	



Exploded View 072-151