



RGLH

Parts List
01-March-2017



*This parts list is current as of the above revision date.
See <http://www.rheempartslists.net/92-42800-RGLH.pdf> for the current revision.*

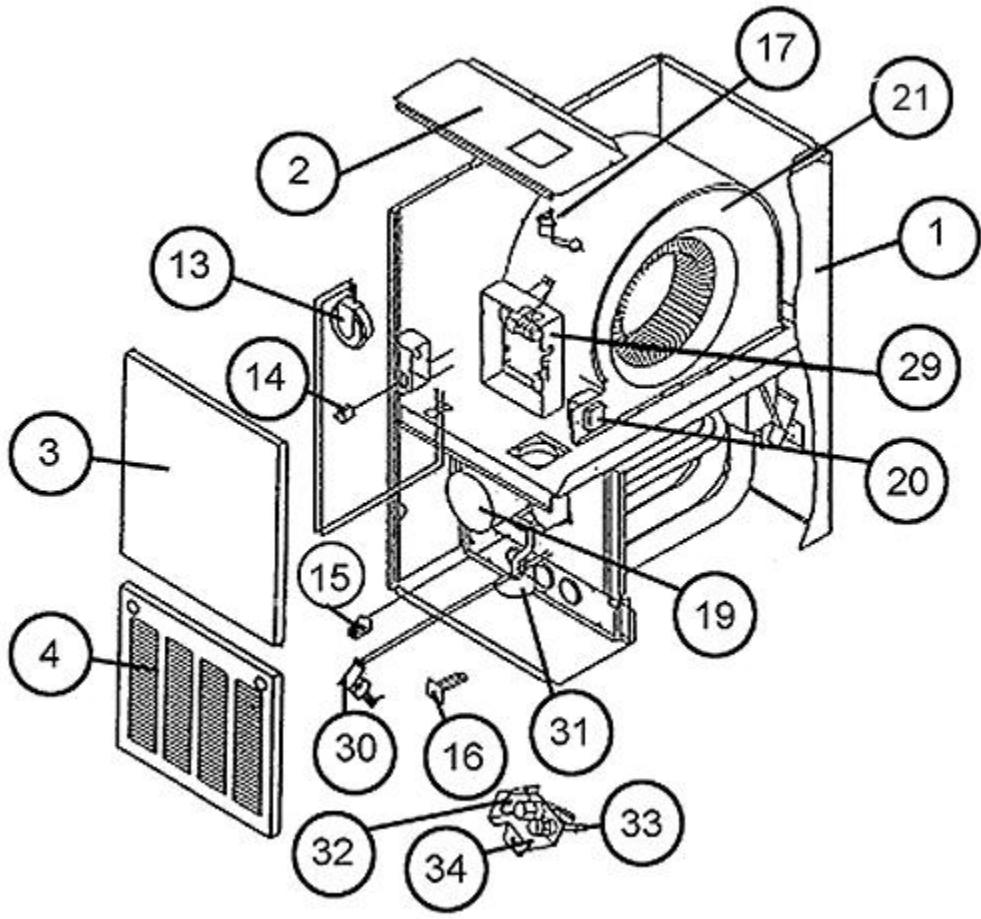
80% Gas Furnaces

No.	Notes	MODEL HEATING CAPACITY VARIATION BLOWER DESIGNATION AIRFLOW	RGLH	RGLH	RGLH
			04 A U S	05 A U E	05 B M K
ELECTRIC GROUP					
13	Stk	Pressure Switch - See Date Codes	42-24335-03 (Before F1804)	42-24335-03 (Before F3702)	42-23648-02 (Before F3598)
13	Stk	Pressure Switch - See Date Codes	42-101233-02 (After F1804)	42-101233-01 (After F3702)	42-23648-03 (After F3598)
14		Door Switch - Push Button	42-22692-01	42-22692-01	42-22692-04
15	Stk	Limit - Manual Reset (Burner Compartment)	47-22861-01	47-22861-01	47-22861-01
16	Stk	Limit - Main Limit (Heat Exchanger Panel)	47-25351-08	47-25349-07	47-25349-07
17	Stk	Limit - Heat Assisted (Blower Housing)	47-22860-01	47-22860-01	47-22860-01
		Rollout Switch Bracket	AE-61600-02	AE-61600-02	AE-61600-02
18	Stk	Transformer - After F1399	46-24124-03	46-24124-03	46-24124-05
18	Stk	Transformer w/Fuse - Before F1399	46-24124-05	46-24124-05	46-24124-05
		Transformer Fuse (Small - 9/16 in.)	46-22863-82	46-22863-82	46-22863-82
		Transformer Fuse (Large - 1-9/16 in.)	46-22863-84	46-22863-84	46-22863-84
19	Stk	Induced Draft Blower - HSI or DSI Models (Before F2002)	70-24071-04	70-24157-03	70-24157-03
19	Stk	Induced Draft Blower - HSI or DSI Models (After F2002)	70-24071-04	70-24175-01	70-24157-03
19	Stk	Induced Draft Blower - Standing Pilot (SP) Models	70-24071-04	70-24157-03	70-24157-03
20		Choke Plate Factor	N/A	N/A	46-24256-02
		Wiring Harness - 5 pin from Indoor Blower Motor to 2 pin and 2 terminals	N/A	N/A	AS-61997-11
		Wiring Harness - 15 pin from IFC to 16 pin on Indoor Blower Motor	N/A	N/A	45-24258-01
		Wiring Harness - 9 pin to 5 terminals (Pilot Ignition) - No Longer Available	AS-61704-02	AS-61704-02	AS-61704-02
		Wiring Harness - 9 pin from Blower Inducer Control to 4 pin and 9 pin (Pilot Ignition)	AS-61700-02	AS-61700-02	AS-61700-02
		Wiring Harness - 9 pin to 9 terminals	45-24371-11	45-24371-11	45-24371-11
		Wiring Harness - 6 pin from IFC to 4 pin	45-24371-02	45-24371-02	45-24371-02
		Wiring Harness - 9 pin from IFC to 9 pin	45-24371-03	45-24371-03	45-24371-03
		Wiring Harness - 4 pin to 2 straight connectors (DSI)	See Gas Controls		
		Wiring Harness - 4 pin to 2 pin (DSI)	See Gas Controls		
		Wiring Harness - 6 pin to 4 pin (DSI)	See Gas Controls		

No.	Notes	MODEL HEATING CAPACITY VARIATION BLOWER DESIGNATION AIRFLOW	RGLH	RGLH	RGLH	RGLH
			06 A U E	07 A M G	07 A U E	07 B R K
ELECTRIC GROUP						
13	Stk	Pressure Switch - See Date Codes	42-24335-03 (Before F1804)	42-24335-03 (Before F3702)	42-24335-03 (Before F3702)	42-23648-03
13	Stk	Pressure Switch - See Date Codes	42-101233-02 (After F1804)	42-101233-01 (After F3702)	42-101233-01 (After F3702)	42-23648-03
14		Door Switch - Push Button	42-22692-01	42-22692-01	42-22692-01	42-22692-04
15	Stk	Limit - Manual Reset (Burner Compartment)	47-22861-01	47-22861-01	47-22861-01	47-22861-01
16	Stk	Limit - Main Limit (Heat Exchanger Panel)	47-25349-06	47-25349-05	47-25349-05	47-25349-08
17	Stk	Limit - Heat Assisted (Blower Housing)	47-22860-01	47-22860-01	47-22860-01	47-22860-01
		Rollout Switch Bracket	AE-61600-02	AE-61600-02	AE-61600-02	AE-61600-02
18	Stk	Transformer - After F1399	46-24124-03	46-24124-03	46-24124-03	N/A
18	Stk	Transformer w/Fuse - Before F1399	46-24124-05	46-24124-05	46-24124-05	46-24124-05
		Transformer Fuse (Small Fuse) 9/16 in.	46-22863-82	46-22863-82	46-22863-82	46-22863-82
		Transformer Fuse (Large Fuse) 1-9/16 in.	46-22863-84	46-22863-84	46-22863-84	46-22863-84
19	Stk	Induced Draft Blower - HSI or DSI Models (Before F2002)	70-24071-05	70-24157-03	70-24157-03	70-24157-03
19	Stk	Induced Draft Blower - HSI or DSI Models (After F2002)	70-24071-05	70-24175-01	70-24175-01	70-24157-03
19	Stk	Induced Draft Blower - Standing Pilot (SP) Models	70-24071-05	70-24157-03	70-24157-03	70-24157-03
20		Choke Plate Factor	N/A	N/A	N/A	46-24256-02
		Wiring Harness - 5 pin from Indoor Blower Motor to 2 pin and 2 terminals	N/A	N/A	N/A	AS-61997-11
		Wiring Harness - 15 pin from IFC to 16 pin on Indoor Blower Motor	N/A	N/A	N/A	45-24258-01
		Wiring Harness - 9 pin to 5 terminals (Pilot Ignition)	AS-61704-02	AS-61704-02	AS-61704-02	N/A
		Wiring Harness - 9 pin from Blower Inducer Control to 4 pin and 9 pin (Pilot Ignition)	AS-61700-02	AS-61700-02	AS-61700-02	N/A
		Wiring Harness - 9 pin to 9 terminals	45-24371-11	45-24371-11	45-24371-11	45-24371-11
		Wiring Harness - 6 pin from IFC to 4 pin	45-24371-02	45-24371-02	45-24371-02	45-24371-02
		Wiring Harness - 9 pin from IFC to 9 pin	45-24371-03	45-24371-03	45-24371-03	45-24371-03
		Wiring Harness - 4 pin to 2 straight connectors (DSI)	See Gas Controls			
		Wiring Harness - 4 pin to 2 pin (DSI)	See Gas Controls			
		Wiring Harness - 6 pin to 4 pin (DSI)	See Gas Controls			

No.	Notes	MODEL HEATING CAPACITY VARIATION BLOWER DESIGNATION AIRFLOW	RGLH	RGLH	RGLH	RGLH
			10 A M E/G	10 A U E	10 B R J	10 B R M
ELECTRIC GROUP						
13	Stk	Pressure Switch - See Date Codes	42-24335-03 (Before F3702)	42-24335-03 (Before F3702)	42-24335-03 (Before F3702)	42-23648-03
13	Stk	Pressure Switch - See Date Codes	42-101233-01 (After F3702)	42-24335-02 (After F3702)	42-101233-01 (After F3702)	42-23648-03
14		Door Switch - Push Button	42-22692-01	42-22692-01	42-22692-01	42-22692-04
15	Stk	Limit - Manual Reset (Burner Compartment)	47-22861-01	47-22861-01	47-22861-01	47-22861-01
16	Stk	Limit - Main Limit (Heat Exchanger Panel)	47-25349-05	47-25349-07	47-25349-07	47-25351-08
17	Stk	Limit - Heat Assisted (Blower Housing)	47-22860-03	47-22860-02	47-22860-01	47-22860-01
		Rollout Switch Bracket	AE-61600-02	AE-61600-02	AE-61600-02	AE-61600-02
18	Stk	Transformer - After F1399	46-24124-03	46-24124-03	46-24124-03	46-24124-05
18	Stk	Transformer w/Fuse - Before F1399	46-24124-05	46-24124-05	46-24124-05	46-24124-05
		Transformer Fuse (Small Fuse) 9/16 in.	46-22863-82	46-22863-82	46-22863-82	46-22863-82
		Transformer Fuse (Large Fuse) 1-9/16 in.	46-22863-84	46-22863-84	46-22863-84	46-22863-84
19	Stk	Induced Draft Blower - HSI or DSI Models (Before F2002)	70-24157-03	70-24157-03	70-24157-03	70-24157-03
19	Stk	Induced Draft Blower - HSI or DSI Models (After F2002)	70-24175-01	70-24175-01	70-24175-01	70-24157-03
19	Stk	Induced Draft Blower - Standing Pilot (SP) Models	N/A	70-24157-03	70-24157-03	70-24157-03
20		Choke Plate Factor	N/A	N/A	N/A	46-24256-02
		Wiring Harness - 5 pin from Indoor Blower Motor to 2 pin and 2 terminals	N/A	N/A	N/A	AS-61997-11
		Wiring Harness - 15 pin from IFC to 16 pin on Indoor Blower Motor	N/A	N/A	N/A	45-24258-01
		Wiring Harness - 9 pin to 5 terminals (Pilot Ignition)	AS-61704-02	AS-61704-02	AS-61704-02	N/A
		Wiring Harness - 9 pin from Blower Inducer Control to 4 pin and 9 pin (Pilot Ignition)	AS-61700-02	AS-61700-02	AS-61700-02	N/A
		Wiring Harness - 9 pin to 9 terminals	45-24371-11	N/A	45-24371-11	45-24371-11
		Wiring Harness - 6 pin from IFC to 4 pin	45-24371-02	N/A	45-24371-02	45-24371-02
		Wiring Harness - 9 pin from IFC to 9 pin	45-24371-03	N/A	45-24371-03	45-24371-03
		Wiring Harness - 4 pin to 2 straight connectors (DSI)			See Gas Controls	
		Wiring Harness - 4 pin to 2 pin (DSI)			See Gas Controls	
		Wiring Harness - 6 pin to 4 pin (DSI)			See Gas Controls	

No.	Notes	MODEL HEATING CAPACITY VARIATION BLOWER DESIGNATION AIRFLOW	RGLH	RGLH	RGLH	
			12 A R J	12 A R M	15 A R J	
ELECTRIC GROUP						
13	Stk	Pressure Switch	42-24335-02	42-23648-02	42-24335-02	
14		Door Switch - Push Button	42-22692-01	42-22692-04	42-22692-01	
15	Stk	Limit - Manual Reset (Burner Compartment)	47-22861-01	47-22861-01	47-22861-01	
16	Stk	Limit - Main Limit (Heat Exchanger Panel)	47-25349-05	47-25349-07	47-25349-05	
17	Stk	Limit - Heat Assisted (Blower Housing)	47-22860-03	47-22860-03	47-22860-04	
		Rollout Switch Bracket	AE-61600-02	AE-61600-02	AE-61600-02	
18	Stk	Transformer - After F1399	46-24124-03	46-24124-05	46-24124-03	
18	Stk	Transformer w/Fuse - Before F1399	46-24124-05	46-24124-05	46-24124-05	
		Transformer Fuse (Small Fuse) 9/16 in.	46-22863-82	46-22863-82	46-22863-82	
		Transformer Fuse (Large Fuse) 1-9/16 in.	46-22863-84	46-22863-84	46-22863-84	
19	Stk	Induced Draft Blower - HSI or DSI Models (Before F2002)	70-24157-03	70-24157-03	70-24157-03	
19	Stk	Induced Draft Blower - HSI or DSI Models (After F2002)	70-24175-01	70-24157-03	70-24175-01	
19	Stk	Induced Draft Blower - Standing Pilot (SP) Models	70-24157-03	70-24157-03	70-24157-03	
20		Choke Plate Factor	N/A	46-24256-02	N/A	
		Wiring Harness - 5 pin from Indoor Blower Motor to 2 pin and 2 terminals	N/A	AS-61997-11	N/A	
		Wiring Harness - 15 pin from IFC to 16 pin on Indoor Blower Motor	N/A	45-24258-01	N/A	
		Wiring Harness - 9 pin to 5 terminals (Pilot Ignition)	AS-61704-02	N/A	AS-61704-02	
		Wiring Harness - 9 pin from Blower Inducer Control to 4 pin and 9 pin (Pilot Ignition)	AS-61700-02	N/A	AS-61700-02	
		Wiring Harness - 9 pin to 9 terminals	45-24371-11	N/A	45-24371-11	
		Wiring Harness - 6 pin from IFC to 4 pin	45-24371-02	45-24371-02	45-24371-02	
		Wiring Harness - 9 pin from IFC to 9 pin	45-24371-03	45-24371-03	45-24371-03	
		Wiring Harness - 4 pin to 2 straight connectors (DSI)			See Gas Controls	
		Wiring Harness - 4 pin to 2 pin (DSI)			See Gas Controls	
		Wiring Harness - 6 pin to 4 pin (DSI)			See Gas Controls	



Exploded View