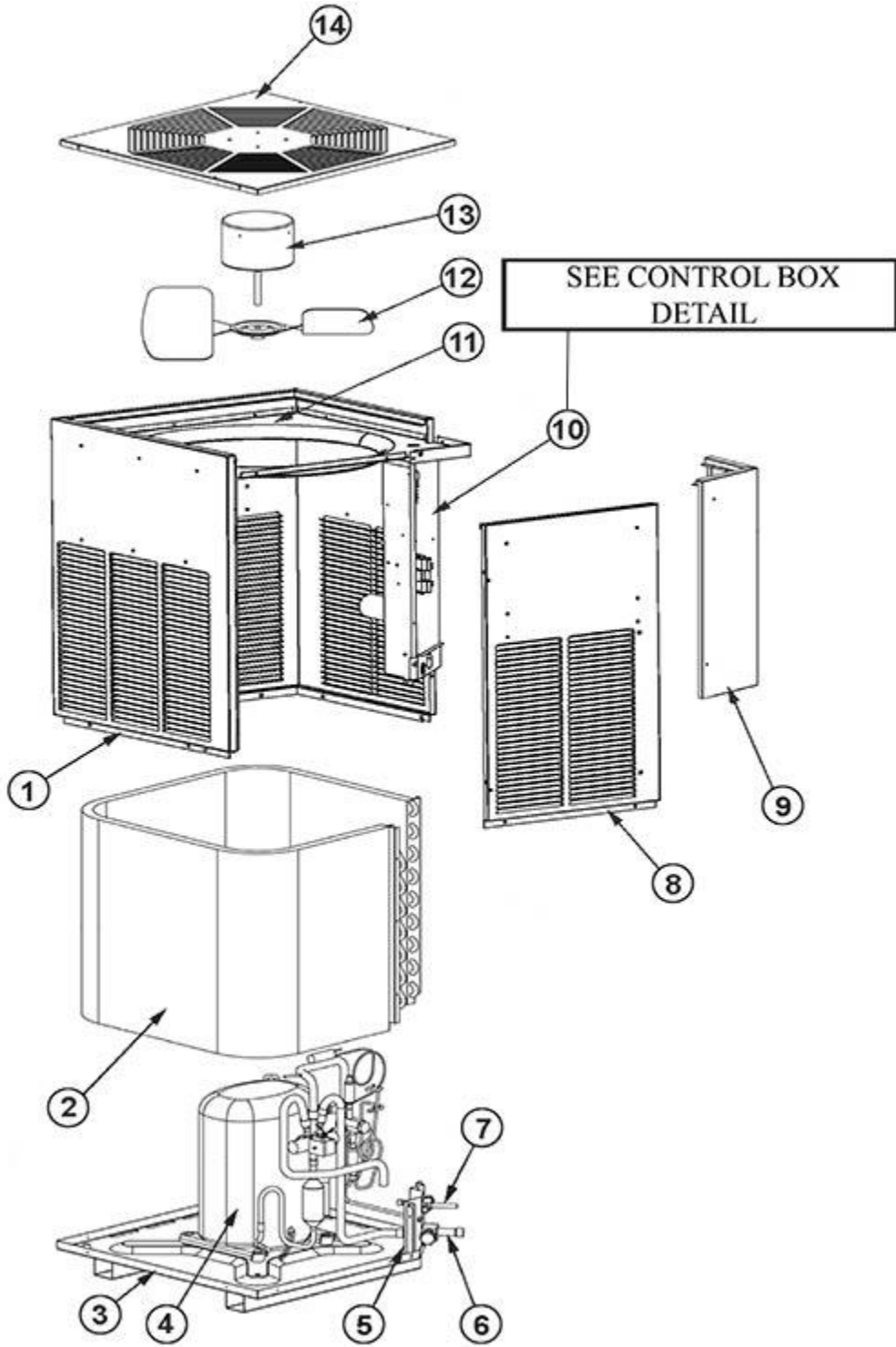
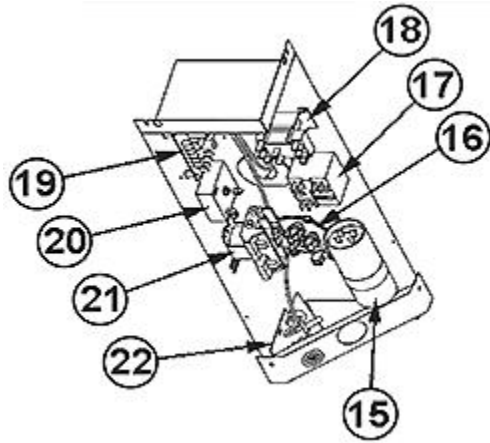


No.	Notes	SEER MODEL VOLTAGE DESIGN SERIES COOLING CAPACITY	10 P J A 31	10 P J A 36	10 P J A 37	10 P J A 42
PANELS, SHEET METAL, MISCELLANEOUS						
1		CABINET	AE-100035-03	AE-100035-05	AE-100035-04	AE-100035-05
2	Stk	COIL ASSEMBLY	AS-100257-03	AS-100133-03	AS-100268-03	AS-100221-03
3		BASE PAN ASSEMBLY	AS-100058-01	AS-100058-03	AS-100058-02	AS-100058-03
5		VALVE MOUNTING PANEL	AE-57780-01	AE-57780-01	AE-57780-01	AE-57780-01
6		SERVICE VALVE (SUCTION)	61-21368-07	61-21368-07	61-21368-07	61-21368-07
7		SERVICE VALVE (LIQUID)	61-21368-05	61-21368-05	61-21368-05	61-21368-05
8		SIDE PANEL	AE-57748-01	AE-100036-05	AE-57748-02	AE-100036-05
9		CONTROL BOX COVER	AE-100065-01	AE-100065-01	AE-100065-01	AE-100065-01
10		CONTROL BOX ASSEMBLY	AS-58274-15	AS-58274-02	AS-58274-16	AS-58274-02
11		VENTURI	AE-57750-01	AE-57750-03	AE-57750-02	AE-57750-03
12	Stk	FAN BLADE	70-21858-10	70-26166-01	70-101323-06	70-26166-01
13	Stk	FAN MOTOR	51-21854-02	51-21853-11	51-21854-02	51-21853-11
14		GRILLE ASSEMBLY	AS-100064-01	AS-100064-03	AS-100064-02	AS-100064-03
18	Stk	LOW AMBIENT CONTROL (OPTIONAL)	47-21465-03	47-21465-03	47-21465-03	47-21465-03
	Stk	RELAY (OPTIONAL)	42-19736-02	42-19736-02	42-19736-02	42-19736-02
	Stk	BLOWER TIME DELAY (OPTIONAL)	42-22444-04	42-22444-04	42-22444-04	42-22444-04
19	Stk	DEMAND DEFROST CONTROL	47-21517-16	47-21517-14	47-21517-16	47-21517-14
20	Stk	TIME DELAY RELAY (OPTIONAL)	42-21336-01	42-21336-01	42-21336-01	42-21336-01
21	Stk	CONTACTOR	42-42728-02	42-42139-05	42-42728-02	42-42139-05
22		LOW VOLTAGE COVER	AE-57756-01	AE-57756-01	AE-57756-01	AE-57756-01
23		STRAINER	83-26020-04	83-26020-04	83-26020-04	83-26020-04
24	Stk	EXPANSION VALVE	61-100141-16	61-100141-05	61-100141-17	61-100141-06
25		STRAINER	83-26020-07	83-26020-07	83-26020-07	83-26020-07
26		DISTRIBUTOR	N/A	61-100139-02	N/A	61-100139-02
28	Stk	REVERSING VALVE	61-22881-02	61-22881-02	61-22881-02	61-22881-02
		REV. VALVE COIL WIRING HARNESS	61-26149-04	61-26149-04	61-26149-04	61-26149-04
29	Stk	SOLENOID COIL	61-22883-81	61-22883-81	61-22883-81	61-22883-81
30	Stk	MUFFLER	AE-57992-04	AE-57992-04	AE-57992-04	AE-57992-04
31		CHARGE COMPENSATOR	N/A	83-25022-01	83-25357-01	N/A
	Stk	PISTON FOR EVAPORATOR COIL	61-25414-65	61-25414-68	61-25414-70	61-25414-76

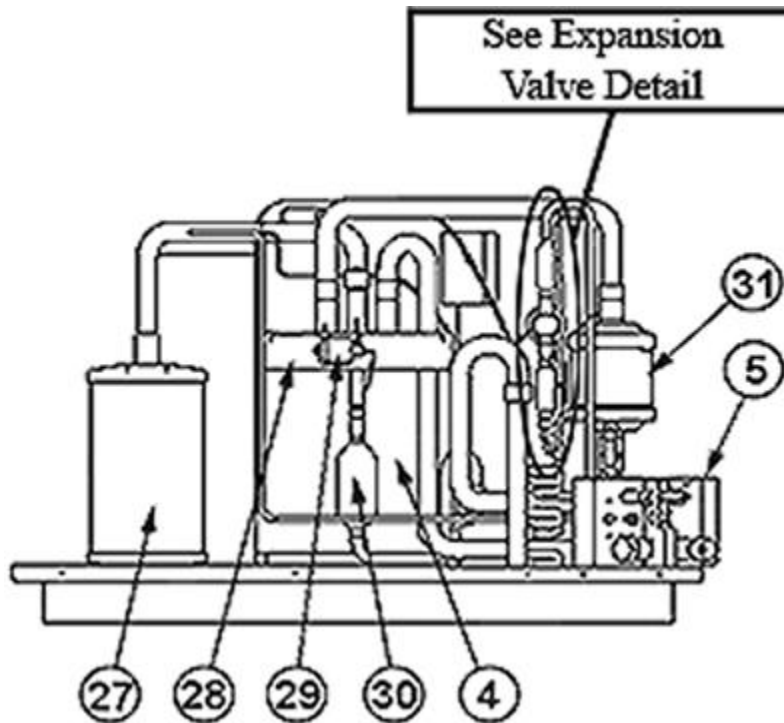
No.	Notes	SEER MODEL VOLTAGE DESIGN SERIES COOLING CAPACITY	10 P J A 31	10 P J A 36	10 P J A 37	10 P J A 42
COMPRESSOR GROUP						
4		ORIGINAL COMPRESSOR	55-23140-13S	55-23148-17S	55-23140-23S	55-23148-27S
	Stk	REPLACEMENT COMPRESSOR	55-23139-48S	55-23148-17S	55-23139-57S	55-23148-27S
16	Stk	CAPACITOR (COMPRESSOR)	43-26261-04	43-22362-18	43-26271-08	43-22362-18
	Stk	START KITS	SK-A1	SK-K4	SK-A1	SK-A4
15	Stk	START CAPACITOR	43-17075-04	43-17075-07	43-17075-04	43-17075-07
17	Stk	START RELAY	42-25105-01	42-18282-30	42-25105-01	42-18282-32



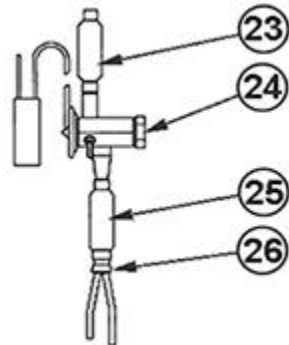
Exploded View



Control Box



Compressor Assembly



Expansion Valve