



RGTA

Parts List
21-November-2015

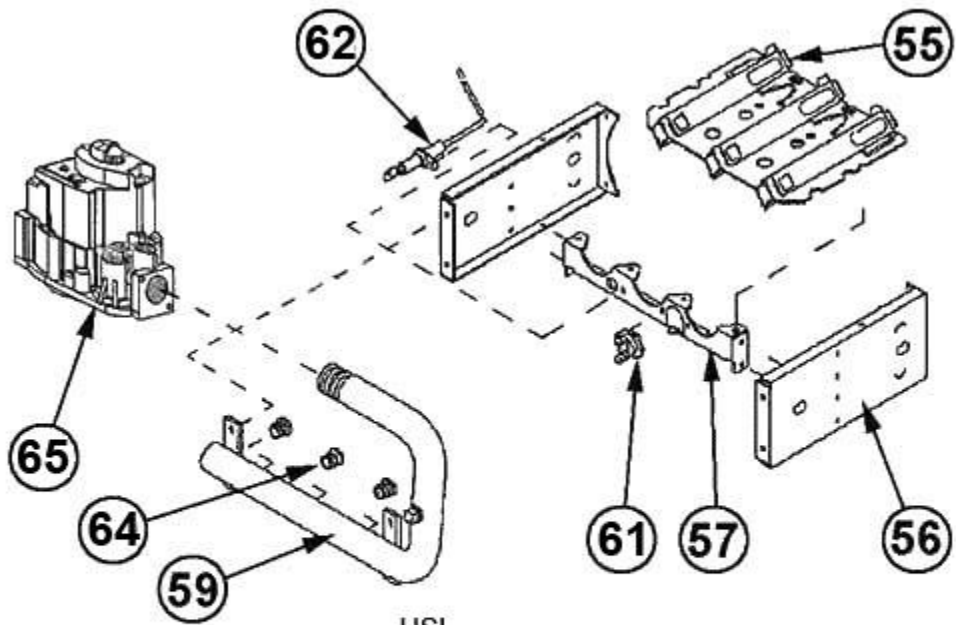


*This parts list is current as of the above revision date.
See <http://www.rheempartslists.net/92-42800-RGTA.pdf> for the current revision.*

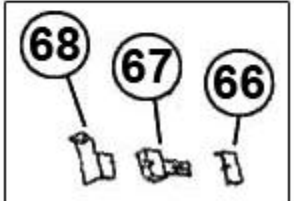
90% Gas Furnaces

| No. | Notes | MODEL HEATING CAPACITY BLOWER DESIGNATION VARIATION AIRFLOW | RGTA | RGTA | RGTA | RGTA | RGTA | RGTA | RGTA |
|-----------------------|--------|---|--------------------|--------------------|--------------------|--------------------|--------------------|--------------------|--------------------|
| | | | 04 M A E | 06 M A E | 07 M A E | 07 Y B G | 09 Z A J | 10 Z A J | 12 R A J |
| ELECTRIC GROUP | | | | | | | | | |
| 3 | Stk | Induced Draft Blower w/Gasket | 70-24033-01 | 70-24033-01 | 70-24033-01 | 70-24033-01 | 70-24033-01 | 70-24033-01 | 70-24033-01 |
| 18 | Stk | Limit - Main Limit (Heat Exchanger Panel) | 47-25350-09 | 47-25350-07 | 47-25350-01 | 47-25350-09 | 47-25350-10 | 47-25350-06 | 47-25350-06 |
| | Stk, 3 | Limit - Manual Reset (Heat Exchanger Panel) - See Note 3 | 47-22861-04 | 47-22861-04 | 47-22861-04 | 47-22861-04 | 47-22861-04 | 47-22861-04 | 47-22861-04 |
| 26 | Stk | Pressure Switch | 42-24012-01 | 42-24012-05 | 42-24012-01 | 42-24012-01 | 42-24012-05 | 42-24012-04 | 42-24012-03 |
| 26 | Stk | Pressure Switch (Option 278) | 42-101956-03 | 42-101956-03 | 42-101956-06 | 42-101956-06 | 42-101956-03 | 42-101956-07 | 42-101956-05 |
| 39 | | Door Switch - Push Button | 42-22692-02 | 42-22692-02 | 42-22692-02 | 42-22692-02 | 42-22692-02 | 42-22692-02 | 42-22692-02 |
| 49 | Stk | Transformer w/Fuse | 46-24124-03 | 46-24124-03 | 46-24124-03 | 46-24124-03 | 46-24124-03 | 46-24124-03 | 46-24124-03 |
| 51 | | Integrated Furnace Control Board (IFC) | See Gas Controls | | | | | | |
| 52 | Stk | Capacitor - Induced Draft Blower | 43-100496-44 | 43-100496-44 | 43-100496-44 | 43-100496-44 | 43-100496-44 | 43-100496-44 | 43-100496-44 |
| 53 | | Capacitor - Blower Motor | See Blower Group | | | | | | |
| 54 | Stk | Limit - Heat Assisted (Blower Housing) | 47-22860-02 | 47-22860-02 | 47-22860-01 | 47-22860-02 | 47-22860-02 | 47-22860-05 | 47-22860-03 |
| 61 | Stk | Limit - Manual Reset (Burner Compartment) | 47-22861-02 (1) | 47-22861-02 (1) | 47-22861-02 (2) | 47-22861-02 (2) | 47-22861-02 (2) | 47-22861-02 (2) | 47-22861-02 (2) |
| | | Wiring Harness - 4 pin to 2 ring terminals/1 straight terminal/1 strip back | 45-24371-41 | 45-24371-41 | 45-24371-41 | 45-24371-41 | 45-24371-41 | 45-24371-41 | 45-24371-41 |
| | | Direct Spark Wiring Harness - 9 pin from board to 9 pin and 4 pin | 45-24371-28 | 45-24371-28 | 45-24371-28 | 45-24371-28 | 45-24371-28 | 45-24371-28 | 45-24371-28 |
| | | Direct Spark Ignition Wiring Harness - 9 pin to 8 terminals and 6 pin to 4 pin - Before F1702 | 45-24090-05 | 45-24090-05 | 45-24090-05 | 45-24090-05 | 45-24090-05 | 45-24090-05 | 45-24090-05 |
| | | Twist Lock - Direct Spark Ignition Wiring Harness - 9 pin to 8 terminals and 6 pin to 4 pin - After F1702 | 45-24393-02 | 45-24393-02 | 45-24393-02 | 45-24393-02 | 45-24393-02 | 45-24393-02 | 45-24393-02 |
| | | Hot Surface Ignition Wiring Harness - 9 pin to 8 terminals and 6 pin to (4 pin and 2 pin) - Before F1702 | 45-24090-04 | 45-24090-04 | 45-24090-04 | 45-24090-04 | 45-24090-04 | 45-24090-04 | 45-24090-04 |
| | | Twist Lock - Hot Surface Ignition Wiring Harness - 9 pin to 8 terminals and 6 pin to (4 pin and 2 pin) - After F1702 | 45-24393-04 | 45-24393-04 | 45-24393-04 | 45-24393-04 | 45-24393-04 | 45-24393-04 | 45-24393-04 |
| | | Direct Spark Ignition Wiring Harness - 2 pin from board to 6 pin, (3 terminals off 6 pin, 1 terminal off 2 pin) - Downflow Models w/HALC | 45-24371-29 | 45-24371-29 | 45-24371-29 | 45-24371-29 | 45-24371-29 | 45-24371-29 | 45-24371-29 |
| | | Direct Spark Ignition Wiring Harness - 2 pin from board to 6 pin, (2 terminals off 6 pin) - Upflow Models | AS-61997-28 | AS-61997-28 | AS-61997-28 | AS-61997-28 | AS-61997-28 | AS-61997-28 | AS-61997-28 |
| | | Hot Surface Ignition Wiring Harness - 9 pin from board to (9 pin and 4 pin) | AS-61702-05 | AS-61702-05 | AS-61702-05 | AS-61702-05 | AS-61702-05 | AS-61702-05 | AS-61702-05 |
| | | Hot Surface Wiring Harness - 6 pin from board to 6 pin with 2 flag terminals | AS-61703-04 | AS-61703-04 | AS-61703-04 | AS-61703-04 | AS-61703-04 | AS-61703-04 | AS-61703-04 |

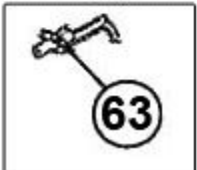
| No. | Notes | MODEL HEATING CAPACITY BLOWER DESIGNATION VARIATION AIRFLOW | RGTA | RGTA | RGTA | RGTA | RGTA | RGTA | RGTA |
|---------------------|-------|---|----------------------|-------------------|-------------------|-------------------|-------------------|-------------------|-------------------|
| | | | 04 M A E | 06 M A E | 07 M A E | 07 Y B G | 09 Z A J | 10 Z A J | 12 R A J |
| BLOWER GROUP | | | | | | | | | |
| 44 | Stk | Blower Assembly (Includes items 45-48, 53) | AS-61697-38 | AS-61697-38 | AS-61697-38 | AS-61697-39 | AS-61697-40 | AS-61697-40 | AS-61697-41 |
| 45 | | Motor Mount Leg (4) | AE-61698-02 | AE-61698-02 | AE-61698-02 | AE-61698-02 | AE-61698-02 | AE-61698-02 | AE-61698-02 |
| 46 | Stk | Blower Motor | 51-24042-01 | 51-24042-01 | 51-24042-01 | 51-26192-01 | 51-26192-01 | 51-26192-01 | 51-26192-01 |
| 47 | | Housing | AS-61674-14 | AS-61674-14 | AS-61674-14 | AS-61674-14 | AS-61674-15 | AS-61674-15 | AS-61674-16 |
| 48 | Stk | Blower Wheel | 70-22688-01 | 70-22688-01 | 70-22688-01 | 70-24119-01 | 70-24041-01 | 70-24041-01 | 70-20602-01 |
| 49 | | Transformer w/Fuse | See Electrical Group | | | | | | |
| 50 | | Control Mounting Plate | AE-67877-01 | AE-67877-01 | AE-67877-01 | AE-67877-01 | AE-67877-01 | AE-67877-01 | AE-67877-01 |
| 51 | | Integrated Furnace Control Board (IFC) | See Gas Controls | | | | | | |
| 52 | | Capacitor - Induced Draft Blower | See Electrical Group | | | | | | |
| 53 | Stk | Capacitor - Blower Motor | 43-21298-42 | 43-21298-42 | 43-21298-42 | 43-21298-43 | 43-21298-43 | 43-21298-43 | 43-21298-43 |
| 54 | | Limit Control w/Heater | See Electrical Group | | | | | | |



HSI



DSI



Burner Assembly