



RHMV

Parts List
03-October-2017

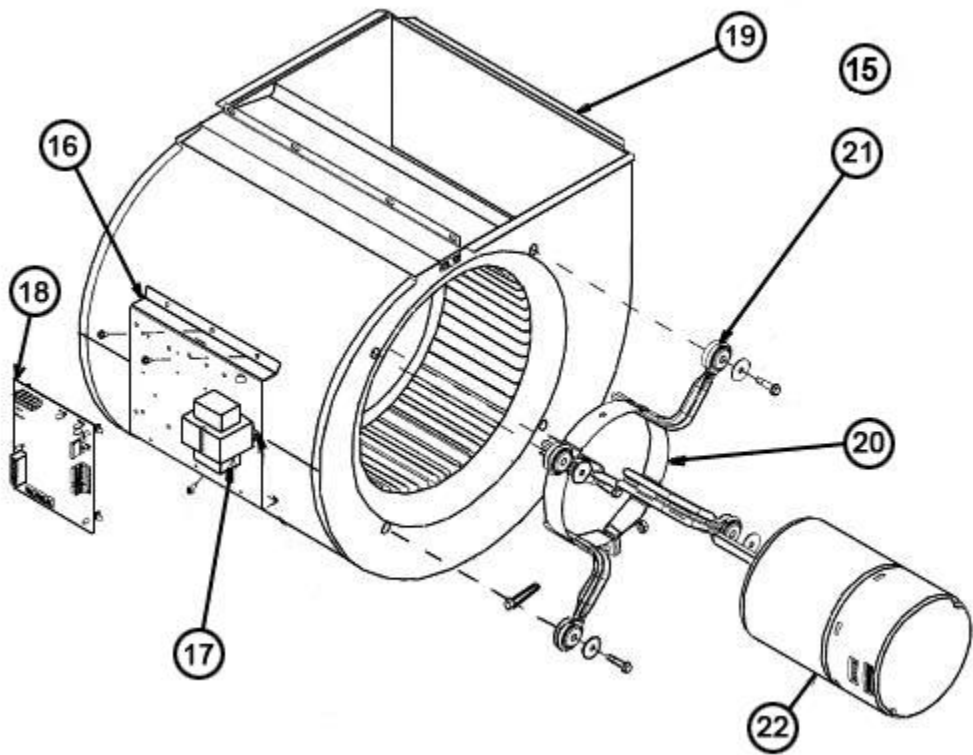


*This parts list is current as of the above revision date.
See <http://www.rheempartslists.net/92-42800-RHMV.pdf> for the current revision.*

Air Handlers

No.	Notes	MODEL	RHMV	RHMV	RHMV
		CAPACITY	24	24	24
		CABINET SIZE	17	21	21
		COIL SIZE/METERING	SE	HE	ME
		MAJOR SERIES/CONTROLS	AC	AC	AC
		VOLTAGE/MINOR SERIES	JA	JA	JA
ELECTRICAL GROUP					
17	Stk	Transformer	46-101905-01	46-101905-01	46-101905-01
18	Stk	Control Board	47-105415-01	47-105415-01	47-105415-01
		Control Identity EEPROM	47-102738-65	47-102738-117	47-102738-62
		Wiring Harness - 11 Pin Molex to 11 stripped wires (For T-Stat)	45-101891-02	45-101891-02	45-101891-02
		Wiring Harness - 5 pin to 1 Ring and 2 Straight Terminals	45-24258-16	45-24258-16	45-24258-16
		Wiring Harness - 4 pin to 4 pin (Indoor Blower Motor)	45-24258-31	45-24258-31	45-24258-31
11		Terminal Block	45-23222-02	45-23222-02	45-23222-02
		Sensor/Clip Assembly (Thermistor)	47-102710-16	47-102710-16	47-102710-16

No.	Notes	MODEL	RHMV	RHMV	RHMV
		CAPACITY	36	60	60
		CABINET SIZE	17	21	24
		COIL SIZE/METERING	SE	SE	ME
		MAJOR SERIES/CONTROLS	AC	AC	AC
		VOLTAGE/MINOR SERIES	JA	JA	JA
ELECTRICAL GROUP					
17	Stk	Transformer	46-101905-01	46-101905-01	46-101905-01
18	Stk	Control Board	47-105415-01	47-105415-01	47-105415-01
		Control Identity EEPROM	47-102738-66	47-102738-63	47-102738-64
		Wiring Harness - 11 Pin Molex to 11 stripped wires (For T-Stat)	45-101891-02	45-101891-02	45-101891-02
		Wiring Harness - 5 pin to 1 Ring and 2 Straight Terminals	45-24258-16	45-24258-16	45-24258-16
		Wiring Harness - 4 pin to 4 pin (Indoor Blower Motor)	45-24258-31	45-24258-31	45-24258-31
11		Terminal Block	45-23222-02	45-23222-02	45-23222-02
		Sensor/Clip Assembly (Thermistor)	47-102710-16	47-102710-16	47-102710-16



Blower Assembly