



# RA20

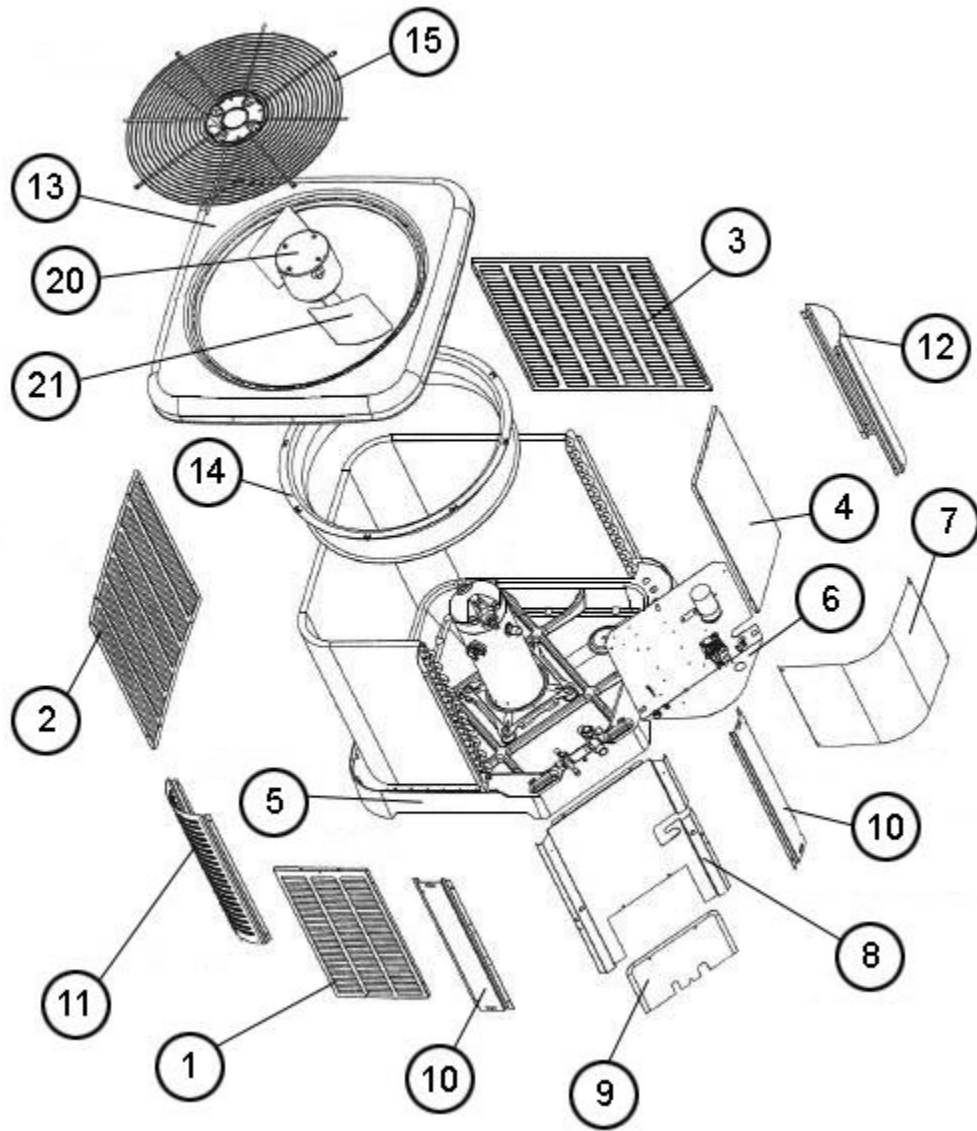
Parts List  
12-December-2017



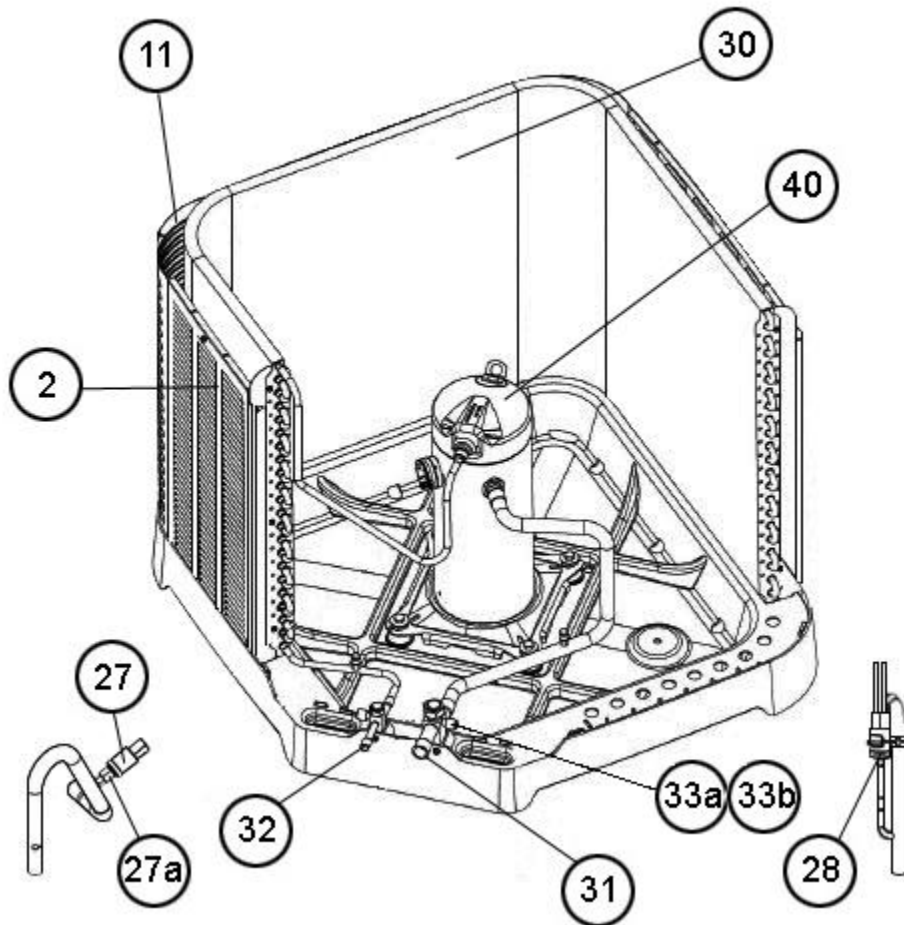
*This parts list is current as of the above revision date.  
See <http://www.rheempartslists.net/92-42800-RA20.pdf> for the current revision.*

**Condensing Units**

No.	Notes	MODEL COOLING CAPACITY VARIATION	RA20 24 AJVCB	RA20 36 AJVCB	RA20 48 AJVCB	RA20 60 AJVCB
<b>ELECTRICAL/FAN GROUP</b>						
20	Stk	Fan Motor	51-102870-05	51-102728-17	51-105035-01	51-105035-01
21	Stk	Fan Blade	70-102345-08	70-102345-08	70-102345-15	70-102345-15
22		Ground Lug	45-19000-05	45-19000-05	45-19000-05	45-19000-05
24a	Stk	Variable Speed Control Board - EcoNet	47-104848-01	47-104848-01	47-104848-01	47-104848-01
		Control - Identity EEPROM (before W5017)	47-102738-126	47-102738-127	47-102738-128	47-102738-129
		Control - Identity EEPROM (on or after W5017)	47-102738-159	47-102738-160	47-102738-161	47-102738-162
24b	Stk	EMI Filter Board	47-105222-01	47-105222-01	47-105222-01	47-105222-01
24c	Stk	Power Inverter Board	47-105221-02	47-105221-02	47-105221-03	47-105221-04
24d		Choke	46-105466-02	46-105466-02	46-105466-03	46-105466-03
24e		Terminal Block	45-23222-02	45-23222-02	45-23222-02	45-23222-02
24f		Locking Wing Push Mount Tie	64-25340-02	64-25340-02	64-25340-02	64-25340-02
24g		Universal Bushing	45-103252-02	45-103252-02	45-103252-02	45-103252-02
27	Stk	Low Pressure Transducer	47-103454-05	47-103454-05	47-103454-05	47-103454-05
27a		Valve Body - Low Pressure Control	61-18542-01	61-18542-01	61-18542-01	61-18542-01
28	Stk	High Pressure Control	47-103669-04	47-103669-04	47-103669-04	47-103669-04
		Discharge Sensor	47-102710-18	47-102710-18	47-102710-18	47-102710-18
		Sensor/Clip Assembly (Compressor Sump Sensor)	47-102710-12	47-102710-12	47-102710-22	47-102710-22
		Sensor/Clip Assembly - 2 Sensors (Coil Sensor)	47-102710-11	47-102710-11	47-102710-23	47-102710-23
		Ambient Sensor	47-102709-06	47-102709-06	47-102709-06	47-102709-06
		Wire Harness - Control Board	45-104991-01	45-104991-01	45-104991-01	45-104991-01
		Wire Harness - Filter to Inverter	45-104991-03	45-104991-03	45-104991-03	45-104991-03
		Wire Harness - Terminal Block to Filter	45-104991-04	45-104991-04	45-104991-04	45-104991-04



Exploded View



Valve Mounting, Compressor