



RRPL-B

Parts List
16-November-2016



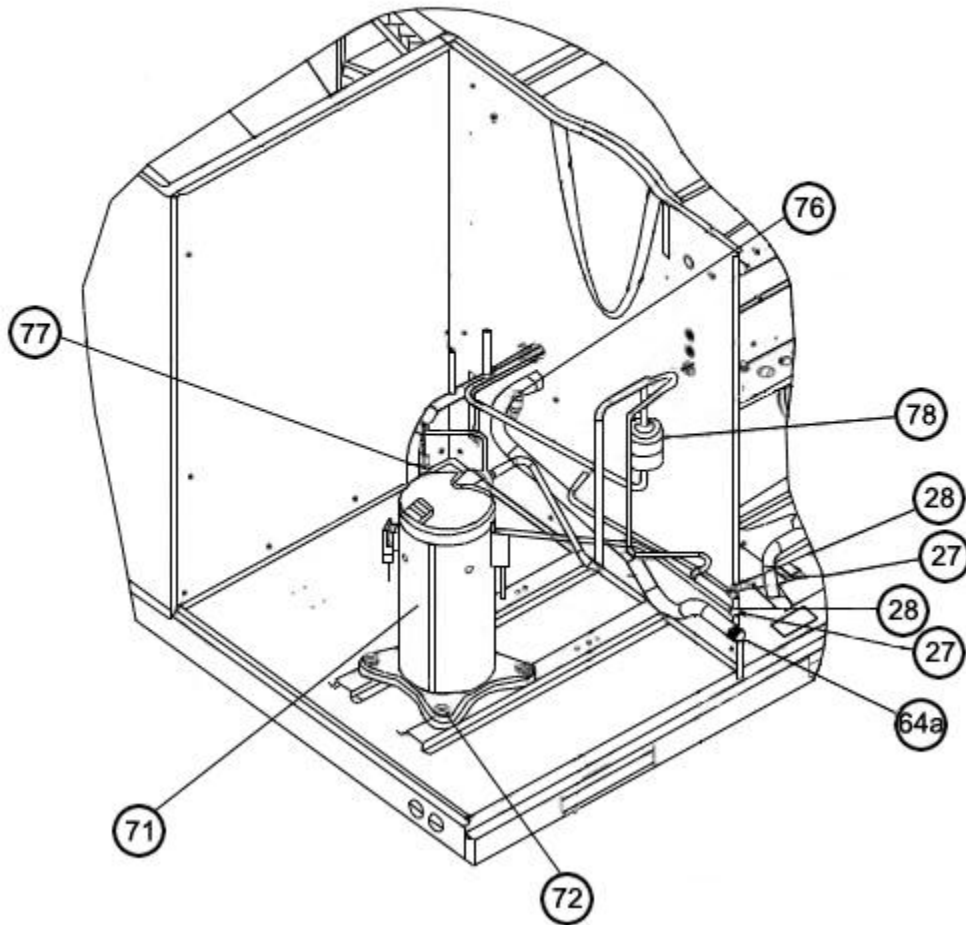
*This parts list is current as of the above revision date.
See <http://www.rheempartslists.net/92-42800-RRPL-B.pdf> for the current revision.*

Package Gas-Electric

No.	Notes	MODEL TECHNICAL VARIATION COOLING CAPACITY ELECTRICAL DESIGNATION	RRPL	RRPL	RRPL	RRPL	RRPL
			B 024 J	B 030 J	B 036 C	B 036 D	B 036 J
COIL GROUP							
CONDENSER COIL:							
61	Stk	Condenser Coil	AS-101997-03	AS-101997-03	AS-101993-03	AS-101993-03	AS-101993-03
		Distributor - (Two way - 3/8 in. to 3/8 in.)	83-17467-02	83-17467-02	83-17467-02	83-17467-02	83-17467-02
		Access Valve Body (2)	61-18542-01	61-18542-01	61-18542-01	61-18542-01	61-18542-01
		Access Valve Core (2)	61-18551-01	61-18551-01	61-18551-01	61-18551-01	61-18551-01
78	Stk	Filter Drier - Liquid Line	83-22755-05	83-22755-05	83-22755-05	83-22755-05	83-22755-05
EVAPORATOR COIL:							
62	Stk	Evaporator Coil w/Drain Pan	AS-102660-04	AS-102660-04	AS-102660-03	AS-102660-03	AS-102660-03
62	Stk	Evaporator Coil w/Drain Pan (Tin Plated)	AS-104668-04	AS-104668-04	AS-104668-03	AS-104668-03	AS-104668-03
63		Drain Pan Grommet	56-23601-01	56-23601-01	56-23601-01	56-23601-01	56-23601-01
64	Stk	Drain Pan - Before F4507	AS-58607-32	AS-58607-32	AS-58607-32	N/A	AS-58607-32
64	Stk	Drain Pan - After F4507	68-23602-02	68-23602-02	68-23602-02	68-23602-02	68-23602-02
64a		Drain Trap (Attached to Drain Pan)	68-23603-01	68-23603-01	68-23603-01	68-23603-01	68-23603-01
65		Auxiliary Drain Pipe	AE-58611-01	AE-58611-01	AE-58611-01	AE-58611-01	AE-58611-01
66	Stk	Flowcheck Distributor/Piston Assembly	61-102106-12	61-102106-12	61-102106-14	61-102106-14	61-102106-14
67	Stk	TXV	61-102211-01	61-102211-02	61-102211-02	61-102211-02	61-102211-02
68		Condensate Shield	AE-101751-01	AE-101751-01	AE-101751-01	AE-101751-01	AE-101751-01
68a		Condensate Barrier	AE-100544-01	AE-100544-01	AE-100544-01	AE-100544-01	AE-100544-01

No.	Notes	MODEL TECHNICAL VARIATION COOLING CAPACITY ELECTRICAL DESIGNATION	RRPL	RRPL	RRPL	RRPL	RRPL
			B 042 C	B 042 J	B 048 C	B 048 D	B 048 J
COIL GROUP							
CONDENSER COIL:							
61	Stk	Condenser Coil	AS-101994-03	AS-101994-03	AS-101996-01	AS-101996-01	AS-101996-01
		Distributor - (Two way - 3/8 in. to 3/8 in.)	N/A	N/A	83-17467-02	83-17467-02	83-17467-02
		Access Valve Body (2)	61-18542-01	61-18542-01	61-18542-01	61-18542-01	61-18542-01
		Access Valve Core (2)	61-18551-01	61-18551-01	61-18551-01	61-18551-01	61-18551-01
78	Stk	Filter Drier - Liquid Line	83-22755-05	83-22755-05	83-22755-05	83-22755-05	83-22755-05
EVAPORATOR COIL:							
62	Stk	Evaporator Coil w/Drain Pan	AS-102660-02	AS-102660-02	AS-102660-01	AS-102660-01	AS-102660-01
62	Stk	Evaporator Coil w/Drain Pan (Tin Plated)	AS-104668-02	AS-104668-02	AS-104668-01	AS-104668-01	AS-104668-01
63		Drain Pan Grommet	56-23601-01	56-23601-01	56-23601-01	56-23601-01	56-23601-01
64	Stk	Drain Pan - Before F4507	AS-58607-32	AS-58607-32	AS-58607-32	N/A	AS-58607-32
64	Stk	Drain Pan - After F4507	68-23602-02	68-23602-02	68-23602-02	68-23602-02	68-23602-02
64a		Drain Trap (Attached to Drain Pan)	68-23603-01	68-23603-01	68-23603-01	68-23603-01	68-23603-01
65		Auxiliary Drain Pipe	AE-58611-01	AE-58611-01	AE-58611-01	AE-58611-01	AE-58611-01
66	Stk	Flowcheck Distributor/Piston Assembly	61-102108-14	61-102108-14	61-102108-17	61-102108-17	61-102108-17
67	Stk	TXV	61-102211-03	61-102211-03	61-102211-04	61-102211-04	61-102211-04
68		Condensate Shield	AE-101751-02	AE-101751-02	AE-101751-02	AE-101751-02	AE-101751-02
68a		Condensate Barrier	AE-100544-02	AE-100544-02	AE-100544-02	AE-100544-02	AE-100544-02

No.	Notes	MODEL TECHNICAL VARIATION COOLING CAPACITY ELECTRICAL DESIGNATION	RRPL	RRPL	RRPL		
			B 060 C	B 060 D	B 060 J		
COIL GROUP							
CONDENSER COIL:							
61	Stk	Condenser Coil	AS-101996-01	AS-101996-01	AS-101996-01		
		Distributor - (Two way - 3/8 in. to 3/8 in.)	83-17467-02	83-17467-02	83-17467-02		
		Access Valve Body (2)	61-18542-01	61-18542-01	61-18542-01		
		Access Valve Core (2)	61-18551-01	61-18551-01	61-18551-01		
76	Stk	High Pressure Control	47-102290-01	47-102290-01	47-102290-01		
77	Stk,4	Low Pressure Control - See Note 4	47-101529-09	47-101529-09	47-101529-09		
78	Stk	Filter Drier - Liquid Line	83-22755-05	83-22755-05	83-22755-05		
EVAPORATOR COIL:							
62	Stk	Evaporator Coil w/Drain Pan	AS-102660-01	AS-102660-01	AS-102660-01		
62	Stk	Evaporator Coil w/Drain Pan (Tin Plated)	AS-104668-01	AS-104668-01	AS-104668-01		
63		Drain Pan Grommet	56-23601-01	56-23601-01	56-23601-01		
64	Stk	Drain Pan - Before F4507	AS-58607-32	N/A	AS-58607-32		
64	Stk	Drain Pan - After F4507	68-23602-02	68-23602-02	68-23602-02		
64a		Drain Trap (Attached to Drain Pan)	68-23603-01	68-23603-01	68-23603-01		
65		Auxiliary Drain Pipe	AE-58611-01	AE-58611-01	AE-58611-01		
66	Stk	Flowcheck Distributor/Piston Assembly	61-102108-17	61-102108-17	61-102108-17		
67	Stk	TXV	61-102211-05	61-102211-05	61-102211-05		
68		Condensate Shield	AE-101751-02	AE-101751-02	AE-101751-02		
68a		Condensate Barrier	AE-100544-02	AE-100544-02	AE-100544-02		



Compressor and Refrigeration Components