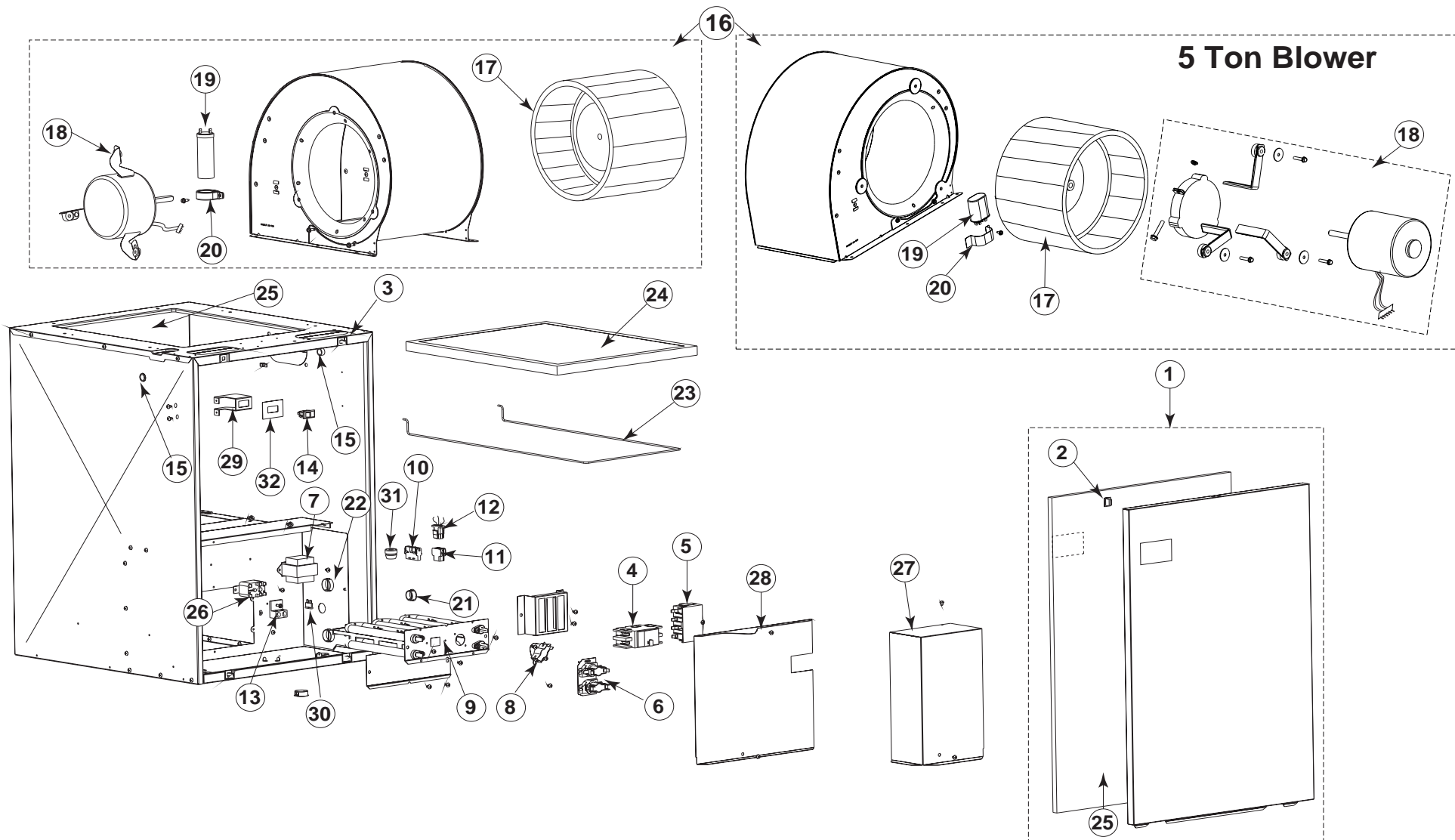


**REPLACEMENT PARTS LIST**

**902985 Nominal 5 Ton Blower**

**E2E(H,B) Series**

**Models -010, -012, -015, -017, -020, -023**



Item No.	Part No.	Description	240v Single Phase						5 Ton†
			010	012	015	017	020	023	
1	917260	Panel Door, White (Specify Brand) - includes insulation	1	1	1	1	1	1	
	917261	Panel Door, Grey (Specify Brand) - includes insulation	1	1	1	1	1	1	
2	668420	Receptacle, Latch	2	2	2	2	2	2	
3	668905	Strike, Latch	4	4	4	4	4	4	
4	632249	Circuit Breaker, 60A, 2 Pole	1	2	2	2	2	2	
5	913874	Single Circuit Adaptor Kit (standard on 012 models, optional on 015-023 models)	n/a	1					
6	621679	Sequencer, 2 Stage, 4-Pole	1	1	1	1	1	1	
7	621814	Transformer, 30 VA	1	1	1	1	1	1	
8	626458	Limit, 2-Pole	1	1	1	1	2	2	
	626459	Limit, 1-Pole			1	1			
9	902818	Element Assembly 5.0kw @ 240v			1 btm*				
	902820	Element Assembly 5.4kw @ 240v				1 btm*			
	902821	Element Assembly 10.0kw @ 240v	1 top*		1 top*		2	1 btm*	
	902823	Element Assembly 10.8kw @ 240v				1 top*			
	902824	Element Assembly 11.6kw @ 240v		1 top*				1 top*	
10	632275	Connector, Cap / 6-pin inline	1	1	1	1	1	1	
11	631728	Connector, Cap / 6-pin matrix	1	1	1	1	1	1	
12	389810	Thermostat Plug Assembly, E(-)EH	1	1	1	1	1	1	
	389820	Thermostat Plug Assembly, E(-)EB							
13	632235	Lug, Ground	1	1	1	1	1	1	
14	632338	Switch, SPDT (ON/AUTO): <b>EH Models only</b>	1	1	1	1	1	1	
15	631781	Bushing	2	2	2	2	2	2	
16	903074	Blower, 2 Speed (includes items 17-20)	1	1	1	1	1	1	
	902985	Blower, Multi Speed/240v (includes items 17-20) optional in EH and EB models, standard in 5 ton units							1
	902993	Blower, 4-Speed (includes items 17 - 20): optional in E2EH models, standard in the E2EB models	1	1	1	1	1	1	
17	667037	Wheel, Blower (10 x 8)	1	1	1	1	1	1	
	667258	Wheel, Blower (11 x 8)							1
18	903076	Motor, 1/5 HP, 2-Speed	1	1	1	1	1	1	
	903075	Motor, 1/3 HP, 4-Speed							
	903096	Motor, 3/4 HP, (4 Speed ) with mounting band and legs							
19	621434	Capacitor, 7.5 MFD 370v	1	1	1	1	1	1	
	621377	Capacitor, 20MF/370V							1
20	606228	Strap, Capacitor	1	1	1	1	1	1	
	249090	Strap, Capacitor							1
21	632307	Hole Plug (1/2"): EB Units use 3 each	2	2	2	2	2	2	
22	632308	Hole Plug (3/4")	4	4	4	4	4	4	
23	669053	Filter Retainer	1	1	1	1	1	1	
24	668934	Filter	1	1	1	1	1	1	
25	902991	Insulation Kit: optional in E2EH models, standard in E2EB models	1	1	1	1	1	1	
26	620537	Blower Relay: used in E(-)EB models only	1	1	1	1	1	1	
27	D00740	Right Control Door	1	1	1	1	1	1	
28	D00721	Left Control Door, 10kW	1						
	D00722	Left Control Door, 12-23 kW		1	1	1	1	1	
29	264920	Switch, Bracket: <b>EH Models only</b>	1	1	1	1	1	1	
30	632261	Fuse, 3-Amp	1	1	1	1	1	1	
31	631758	Bushing, Strain Relief: <b>EH Models only</b>	1	1	1	1	1	1	
32	689588	Gasket, Decorative, Black: <b>EH Models only</b>	1	1	1	1	1	1	

† 5 Ton Blower Units

\*top = top element in specified unit in the position pictured; btm = bottom element in specified unit in the position pictured

