

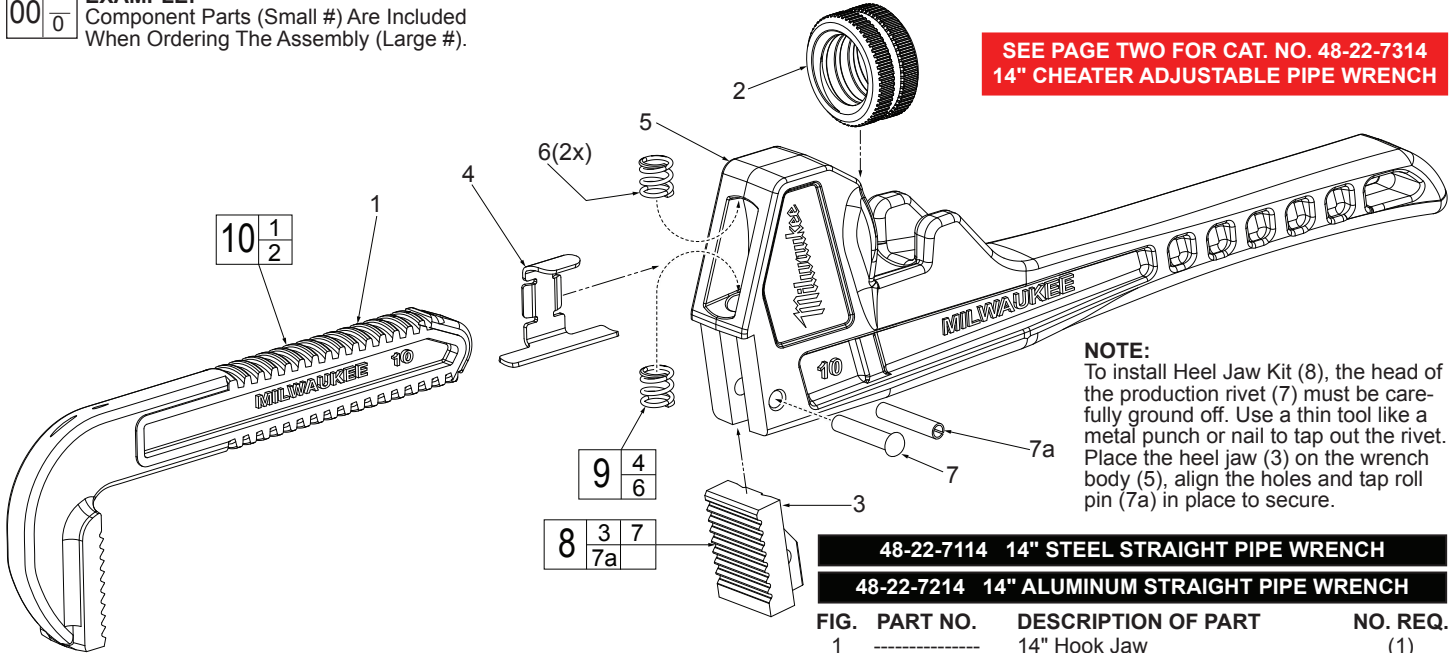


SERVICE PARTS LIST

BULLETIN NO.
54-49-3155

SPECIFY CATALOG NO. AND SERIAL NO. WHEN ORDERING PARTS	REVISED BULLETIN	DATE
STRAIGHT PIPE WRENCHES (Steel and Aluminum)		Oct. 2016
CATALOG NO. 48-22-7110, 48-22-7210 10" Wrenches 48-22-7112, 48-22-7212 12" Wrenches 48-22-7114, 48-22-7214 14" Wrenches 48-22-7118, 48-22-7218 18" Wrenches 48-22-7224 24" Wrench		

EXAMPLE:
Component Parts (Small #) Are Included
When Ordering The Assembly (Large #).



**SEE PAGE TWO FOR CAT. NO. 48-22-7314
14" CHEATER ADJUSTABLE PIPE WRENCH**

NOTE:
To install Heel Jaw Kit (8), the head of the production rivet (7) must be carefully ground off. Use a thin tool like a metal punch or nail to tap out the rivet. Place the heel jaw (3) on the wrench body (5), align the holes and tap roll pin (7a) in place to secure.

48-22-7110 10" STEEL STRAIGHT PIPE WRENCH

48-22-7210 10" ALUMINUM STRAIGHT PIPE WRENCH

FIG.	PART NO.	DESCRIPTION OF PART	NO. REQ.
1	-----	10" Hook Jaw	(1)
2	-----	10" Adjustment Nut	(1)
3	-----	10" Heel Jaw	(1)
4	-----	Spring Plate Bracket	(1)
5	-----	10" Straight Wrench Body	(1)
6	-----	Coil Spring	(2)
7	-----	Rivet	(1)
7a	-----	Roll Pin	(1)
8	43-90-2001	10" Heel Jaw with Rivet & Roll Pin Kit	(1)
9	40-50-3230	10" Spring and Bracket Kit	(1)
10	43-90-0191	10" Hook Jaw with Adjustment Nut Kit	(1)

48-22-7112 12" STEEL STRAIGHT PIPE WRENCH

48-22-7212 12" ALUMINUM STRAIGHT PIPE WRENCH

FIG.	PART NO.	DESCRIPTION OF PART	NO. REQ.
1	-----	12" Hook Jaw	(1)
2	-----	12" Adjustment Nut	(1)
3	-----	12" Heel Jaw	(1)
4	-----	Spring Plate Bracket	(1)
5	-----	12" Straight Wrench Body	(1)
6	-----	Coil Spring	(2)
7	-----	Rivet	(1)
7a	-----	Roll Pin	(1)
8	43-90-2001	12" Heel Jaw with Rivet & Roll Pin Kit	(1)
9	40-50-3231	12" Spring and Bracket Kit	(1)
10	43-90-0192	12" Hook Jaw with Adjustment Nut Kit	(1)

48-22-7114 14" STEEL STRAIGHT PIPE WRENCH

48-22-7214 14" ALUMINUM STRAIGHT PIPE WRENCH

FIG.	PART NO.	DESCRIPTION OF PART	NO. REQ.
1	-----	14" Hook Jaw	(1)
2	-----	14" Adjustment Nut	(1)
3	-----	14" Heel Jaw	(1)
4	-----	Spring Plate Bracket	(1)
5	-----	14" Straight Wrench Body	(1)
6	-----	Coil Spring	(2)
7	-----	Rivet	(1)
7a	-----	Roll Pin	(1)
8	43-90-2001	14" Heel Jaw with Rivet & Roll Pin Kit	(1)
9	40-50-3232	14" Spring and Bracket Kit	(1)
10	43-90-0193	14" Hook Jaw with Adjustment Nut Kit	(1)

48-22-7118 18" STEEL STRAIGHT PIPE WRENCH

48-22-7218 18" ALUMINUM STRAIGHT PIPE WRENCH

FIG.	PART NO.	DESCRIPTION OF PART	NO. REQ.
1	-----	18" Hook Jaw	(1)
2	-----	18" Adjustment Nut	(1)
3	-----	18" Heel Jaw	(1)
4	-----	Spring Plate Bracket	(1)
5	-----	18" Straight Wrench Body	(1)
6	-----	Coil Spring	(2)
7	-----	Rivet	(1)
7a	-----	Roll Pin	(1)
8	43-90-2002	18" Heel Jaw with Rivet & Roll Pin Kit	(1)
9	40-50-3233	18" Spring and Bracket Kit	(1)
10	43-90-0194	18" Hook Jaw with Adjustment Nut Kit	(1)

48-22-7224 24" ALUMINUM STRAIGHT PIPE WRENCH

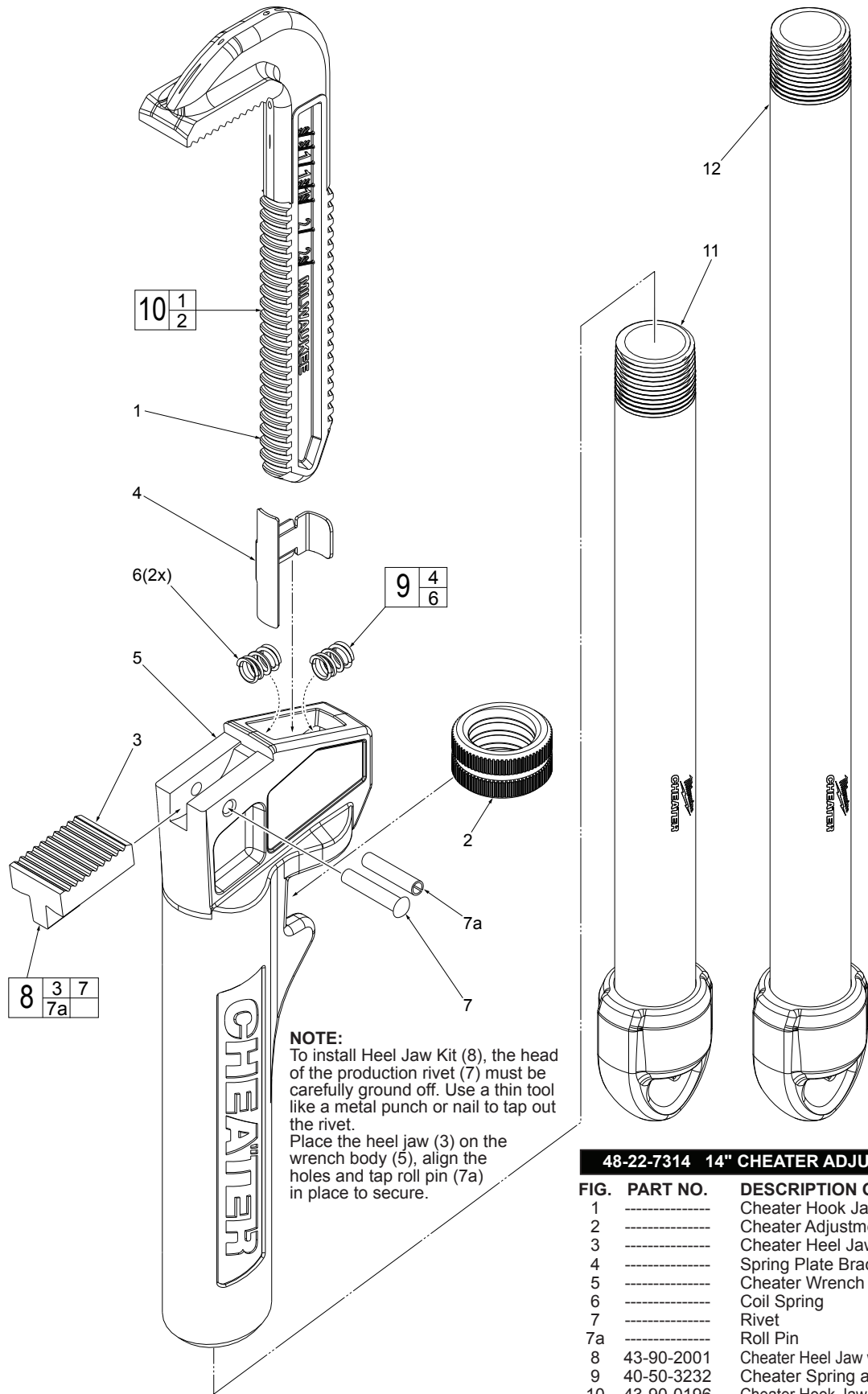
FIG.	PART NO.	DESCRIPTION OF PART	NO. REQ.
1	-----	24" Hook Jaw	(1)
2	-----	24" Adjustment Nut	(1)
3	-----	24" Heel Jaw	(1)
4	-----	Spring Plate Bracket	(1)
5	-----	24" Straight Wrench Body	(1)
6	-----	Coil Spring	(2)
7	-----	Rivet	(1)
7a	-----	Roll Pin	(1)
8	43-90-2003	24" Heel Jaw with Rivet & Roll Pin Kit	(1)
9	40-50-3234	24" Spring and Bracket Kit	(1)
10	43-90-0195	24" Hook Jaw with Adjustment Nut Kit	(1)



SERVICE PARTS

BULLETIN NO.
54-49-3155

SPECIFY CATALOG NO. AND SERIAL NO. WHEN ORDERING PARTS		REVISED BULLETIN	DATE
14" CHEATER ADJUSTABLE PIPE WRENCH			
CATALOG NO.	48-22-7314		



NOTE:
To install Heel Jaw Kit (8), the head of the production rivet (7) must be carefully ground off. Use a thin tool like a metal punch or nail to tap out the rivet.
Place the heel jaw (3) on the wrench body (5), align the holes and tap roll pin (7a) in place to secure.

48-22-7314 14" CHEATER ADJUSTABLE PIPE WRENCH

FIG.	PART NO.	DESCRIPTION OF PART	NO. REQ.
1	-----	Cheater Hook Jaw	(1)
2	-----	Cheater Adjustment Nut	(1)
3	-----	Cheater Heel Jaw	(1)
4	-----	Spring Plate Bracket	(1)
5	-----	Cheater Wrench Body	(1)
6	-----	Coil Spring	(2)
7	-----	Rivet	(1)
7a	-----	Roll Pin	(1)
8	43-90-2001	Cheater Heel Jaw with Rivet & Roll Pin Kit	(1)
9	40-50-3232	Cheater Spring and Bracket Kit	(1)
10	43-90-0196	Cheater Hook Jaw with Adjustment Nut Kit	(1)
11	43-62-0641	Short Handle Assembly	(1)
12	43-62-0643	Long Handle Assembly	(1)