



SERVICE PARTS LIST

BULLETIN NO.
54-04-2405

SPECIFY CATALOG NO. AND SERIAL NO. WHEN ORDERING PARTS			REVISED BULLETIN	DATE
AC/DC 12 Volt Battery Charger				June 2009
CATALOG NO.	2510-20	SERIAL NUMBER	WIRING INSTRUCTION	
		C02A		

00 / 0

EXAMPLE:

Component Parts (Small #)
Are Included When Ordering
The Assembly (Large #).

FIG.	PART NO.	DESCRIPTION OF PART	NO. REQ.
1	-----	Housing Bottom	(1)
2	-----	Housing Top	(1)
4	-----	Light Pipe	(2)
5	-----	PCB Assembly	(1)
6	-----	Terminal Board	(1)
7	-----	8-16 x 1" Slit. Plastite T-20 Screw	(4)
8	22-64-1190	AC/DC Power Cord	(1)
9	12-20-2405	Service Nameplate	(1)
10	-----	Charger Label	(1)

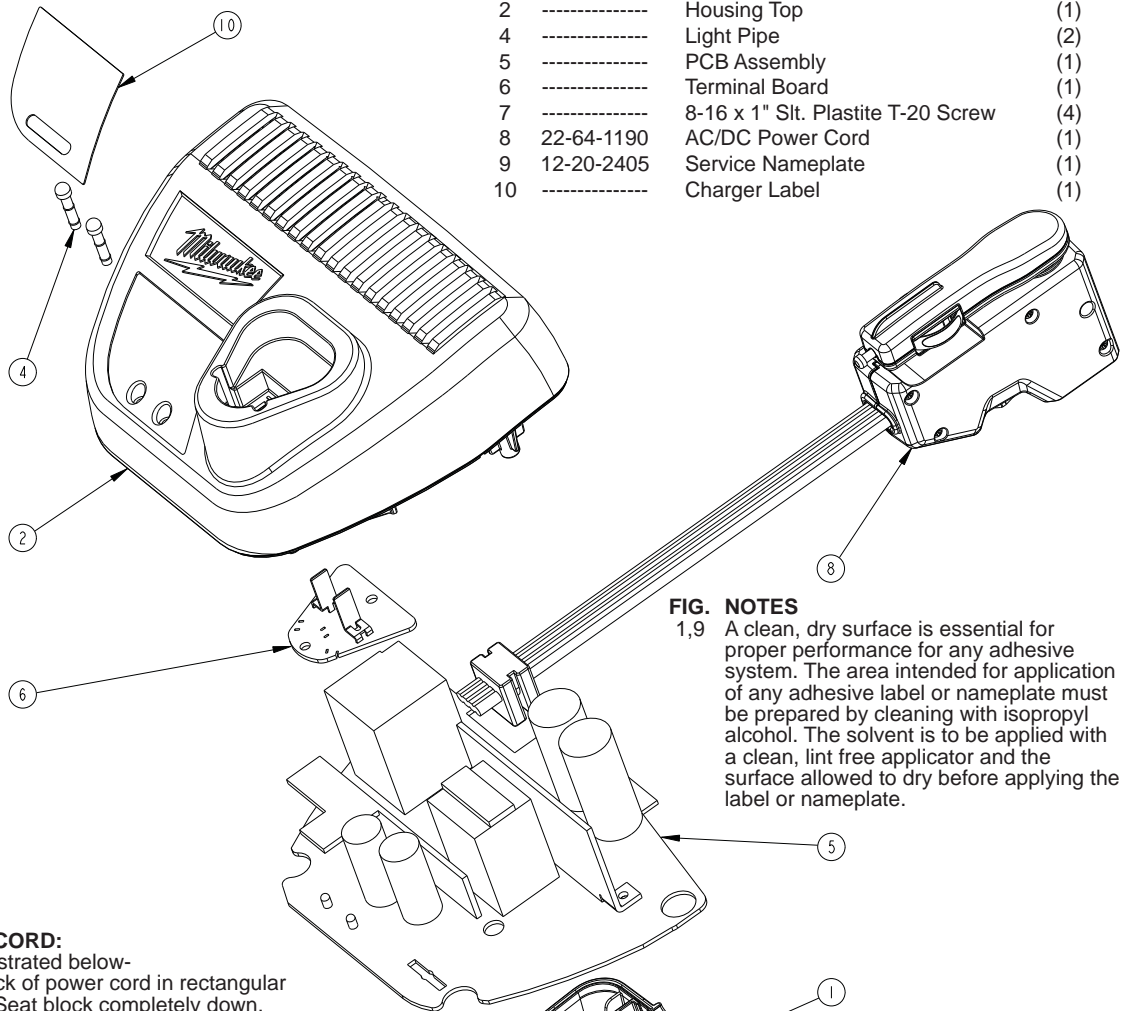


FIG. NOTES

1,9 A clean, dry surface is essential for proper performance for any adhesive system. The area intended for application of any adhesive label or nameplate must be prepared by cleaning with isopropyl alcohol. The solvent is to be applied with a clean, lint free applicator and the surface allowed to dry before applying the label or nameplate.

REPLACING AC/DC POWER CORD:

Route and connect wires as illustrated below-

- Place molded strain relief block of power cord in rectangular cavity [A] in housing bottom. Seat block completely down.
- Attach connector block from the two short power cord wires to the pin location on circuit board marked '120 VAC 60Hz' [B].
- Attach long sleeved wire with larger terminal connector to terminal on circuit board marked '+12V Input' [C].
- Attach long sleeved wire with smaller terminal connector to terminal marked 'Gnd Input' [D] on circuit board.

