



SERVICE PARTS LIST

BULLETIN NO.
54-26-2775

SPECIFY CATALOG NO. AND SERIAL NO. WHEN ORDERING PARTS		REVISED BULLETIN	DATE
M18™ FUEL™ 1/2" Square Impact Wrench (Baseline)			Feb. 2019
CATALOG NO.	2755B-20	STARTING SERIAL	G79A
			WIRING INSTRUCTION SEE PAGE 2

EXAMPLE:
00 | 0 | Component Parts (Small #) Are Included
When Ordering The Assembly (Large #).

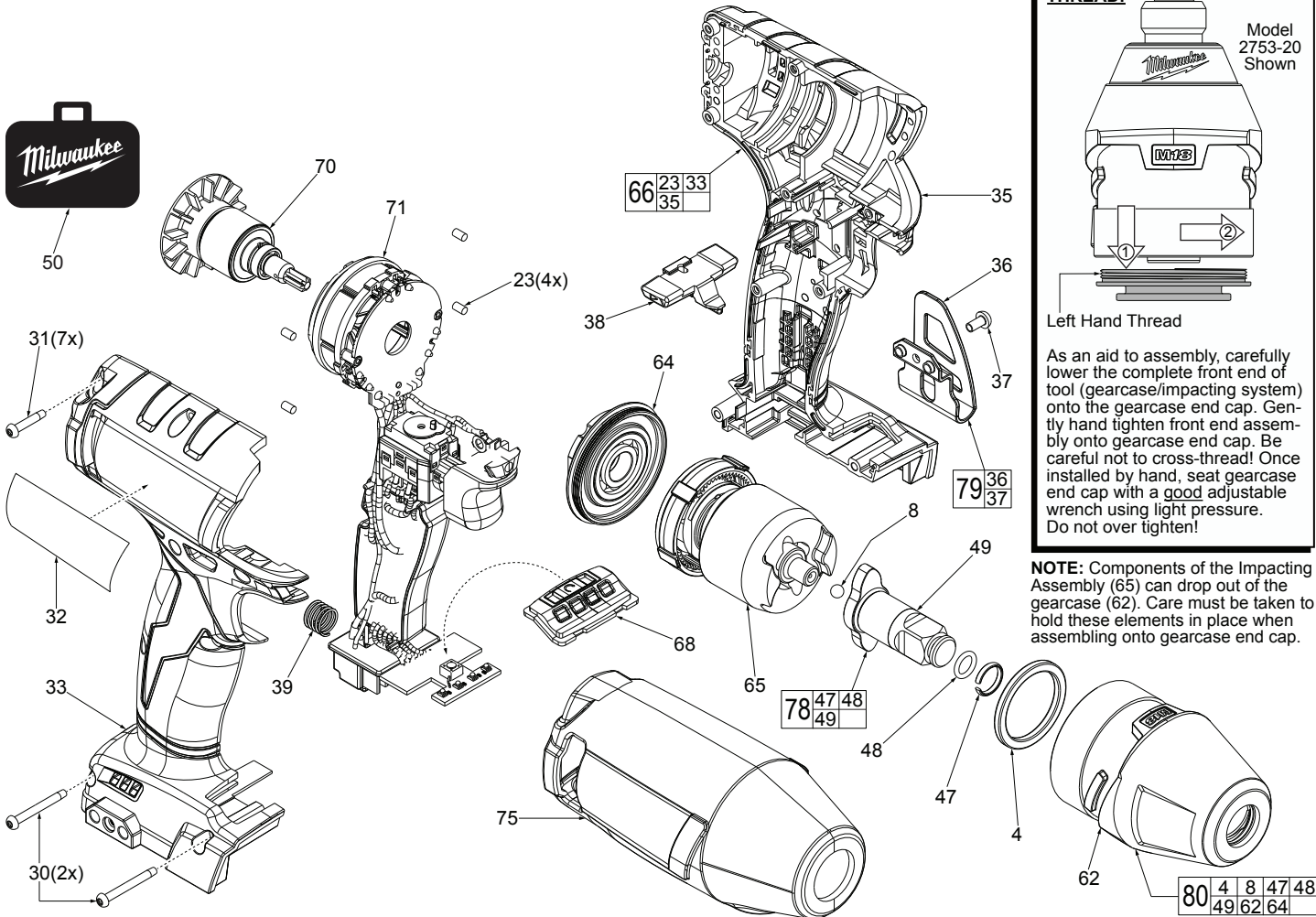


FIG.	PART NO.	DESCRIPTION OF PART	NO. REQ.
4	45-88-2653	Plastic Washer	(1)
8	02-02-1300	5.0mm Steel Ball	(1)
23	45-30-2653	Rubber Slug	(4)
30	06-82-0013	M3 x 38mm Pan Hd. ST TP T-10 Screw	(2)
31	06-82-7326	M3 x 16mm Pan Hd. ST TP T-10 Screw	(7)
32	12-20-0046	Service Nameplate	(1)
33	-----	Housing Halve - Right	(1)
35	-----	Housing Halve - Left	(1)
36	-----	Belt Clip	(1)
37	06-82-0130	6-32 x 5/16" Pan Hd. T-15 Screw	(1)
38	45-24-0013	Forward / Reverse Shuttle	(1)
39	40-50-1090	Spring	(1)
47	44-90-4530	Friction Ring	(1)
48	34-40-0900	O-Ring	(1)
49	-----	1/2" Square Anvil	(1)
50	42-55-2754	Blow Molded Carrying Case	(1)
62	28-50-0012	Gearcase with Bushing	(1)
64	44-66-0028	Gearcase End Cap with Ball Bearing	(1)
65	14-46-0016	Impacting Assembly	(1)
66	31-44-0033	Housing Assembly	(1)
68	45-24-0044	Speed Selector Assembly	(1)
70	16-07-2754	Rotor Assembly	(1)
71	14-20-0018	Electronics Assembly	(1)
75	49-12-0012	Rubber Boot (Optional, Accessory)	(1)
78	42-06-0024	1/2" Square Anvil Assembly	(1)
79	42-70-0059	Belt Clip Assembly	(1)
80	14-30-0016	Gearcase / Anvil Assembly	(1)

FIG.	LUBRICATION (Type 'J' Grease, No. 49-08-4220):
62	Coat inside of bushing inside front gearcase (62) with grease.
65	Lightly coat the I.D. of the ring gear and the center of the planet gears of impacting assembly (65) with grease.
70	Coat pinion of rotor assembly (70) with grease.

Rotor Assembly

Stator Assembly with Hall PCBA

Watch for pinched wires here. Tuck leads down in cavity behind switch.

Battery Connector Block Assembly

Compression Spring

High Voltage Protection Wire. Place terminal over screw boss and route down in cavity behind forward/reverse shuttle.

Route LED wires down in cavity behind forward/reverse shuttle.

LED Assembly

On-Off Switch

Main PCBA

Speed PCBA

Speed Selector Assembly

