

## Dartmouth® Undercounter Lavatory

### FEATURES

- 18-3/4" x 13-3/4"
- ADA compliant
- Front or rear overflow
- Mounting assembly complete with installation template and mounting screw set for wood countertops
- THU410 is required for marble/granite type countertop installation and must be purchased separately

### MODELS

- LT641  
(#01, #03, #11, #12, #51)

### COLORS/FINISHES

- #01 Cotton
- #03 Bone
- #11 Colonial White
- #12 Sedona Beige
- #51 Ebony

### CODES/STANDARDS

- Meets and exceeds ASME A112.19.2/CSA B45.1
- Certifications: IAPMO(cUPC), State of Massachusetts, City of Los Angeles, and others
- Meets ADA guidelines and ANSI A117.1 requirements when countertop is installed 864mm (34") from finished floor and lavatory is installed 205mm (8-1/8") minimum from front edge.



### PRODUCT SPECIFICATION

The undercounter lavatory shall be made of vitreous china. Lavatory shall be 18-3/4" in length and 13-3/4" in width. Product shall be with overflow and lavatory shall include mounting assembly. Lavatory shall be TOTO Model LT641\_\_\_\_\_.



# LT641

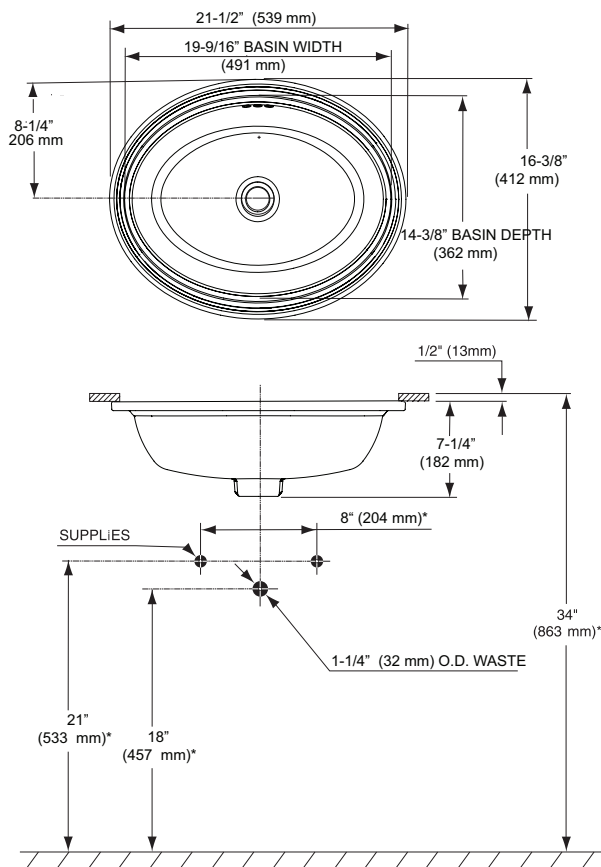
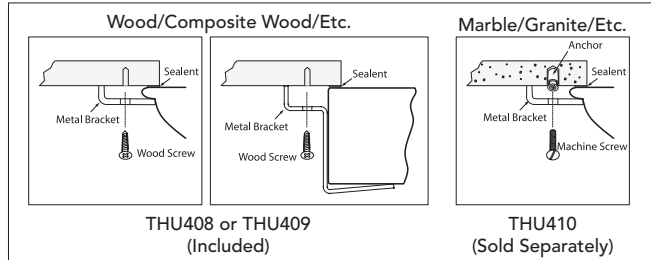
## Dartmouth® Undercounter Lavatory

### SPECIFICATIONS

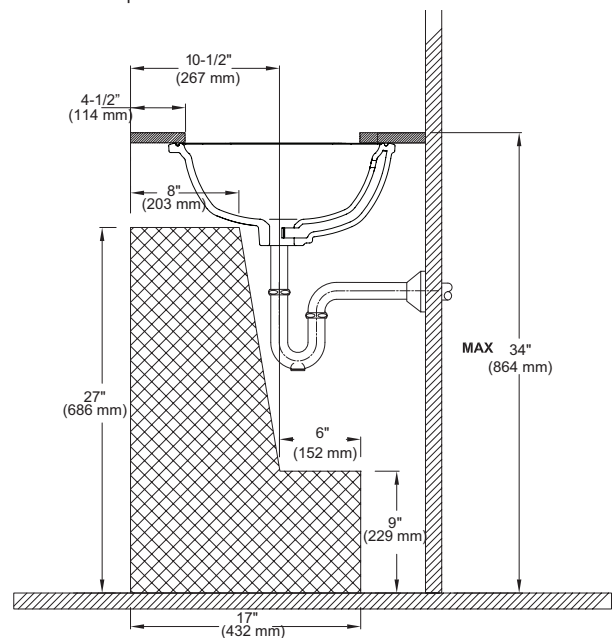
- Waste 1-1/4" O.D.
- Size 21-1/4"W x 16-1/4"D
- Basin 18-3/4"W x 13-3/4"D
- Warranty One Year Limited Warranty
- Material Vitreous china
- Shipping Weight 21 lbs.
- Shipping Dimensions 22-1/4"W x 18-3/4"D x 9-3/4"H

### INSTALLATION NOTES

#### Mounting Hardware



#### ADA Compliance Check



**TOTO®**

*These dimensions and specifications are subject to change without notice*