

TOTO®

UT104E(V)

0.5GPF Low Consumption Washout Urinal

FEATURES

- 0.5GPF
- Compact urinal with concealed integral trap
- Washout flush action with 3/4" top or back spud inlet

MODELS

- UT104E
Urinal with 3/4" top spud inlet
- UT104EV
Urinal with 3/4" back spud inlet

ADDITIONAL ITEMS

- THU3010
Stainless Steel Urinal Drain Cover

FLUSH VALVES			
EcoPower®		Manual	
TEU1LA12#CP	0.5GPF	TMU1LN12#CP	0.5GPF
TEU2LA11#SS	0.5GPF		
TEU3LA11#SS	0.5GPF		

COLORS/FINISHES

- Standard
#01 Cotton

PRODUCT SPECIFICATION

The wall-mounted, ADA compliant, low consumption washout urinal shall be 0.5GPF/1.9LPF when paired with a 0.5GPF flushometer valve and 1.0GPF/3.8LPF when paired with 1.0GPF/3.8LPF flushometer valve. Urinal specified shall be model UT104E_____.



CODES/STANDARDS

- Meets and exceeds ASME A112.19.2/CSA B45.1,
- Certifications: IAPMO(cUPC), State of Massachusetts, City of Los Angeles
- Code compliance: UPC, IPC, NSPC, NPC Canada, and others
- Legislative compliance: California AB715, California Green Building Code
- ADA compliant



UT104E(V)

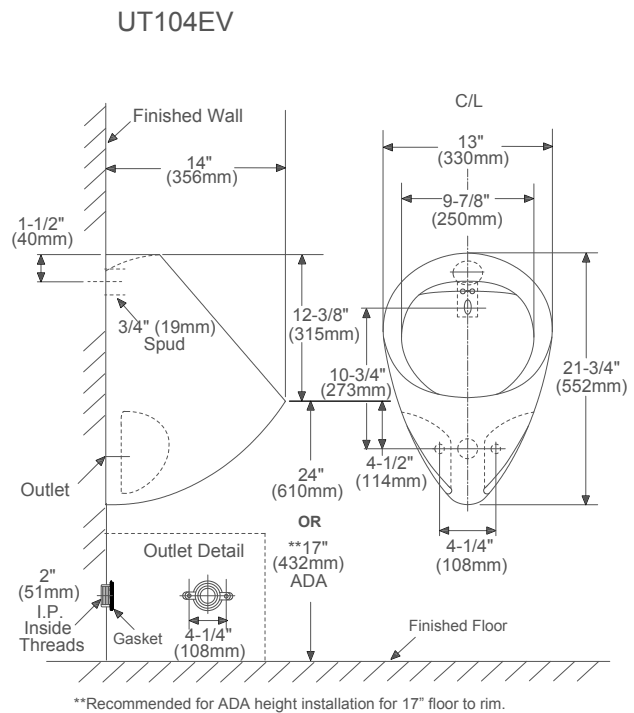
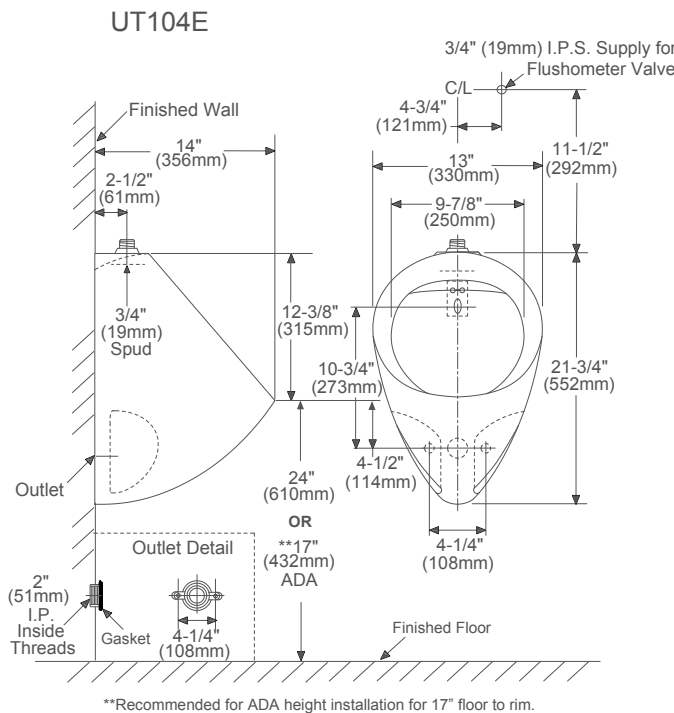
0.5GPF Low Consumption Washout Urinal

SPECIFICATIONS

- Water Use 0.5GPF/1.9LPF
- Flush System Washout flush action
- Warranty One Year Limited Warranty
- Material Vitreous china
- Min. Water Pressure 15 psi (flowing)
- Height (Urinal Only) 21-3/4"
- Width 13"
- Rim 14"
- Shipping Weight UT104E(V) - 34.5lbs
- Shipping Dimensions UT104E(V)
24" L x 13-3/4" W x 15-1/8" H

INSTALLATION NOTES

Adjust angle stop accordingly to prevent overflow.
Confirm with local codes and standards for floor drain requirement.



TOTO

These dimensions and specifications are subject to change without notice