

# MOEN®

There is more than one version of this model.  
Page down to identify the version you have.

## DESCRIPTION

- Metal construction with chrome finish
- Includes showerhead, arm, flange and diverter spout

## OPERATION

- Lever style handle with temperature red/blue indicator on the escutcheon
- Handle operates counterclockwise through a 270° arc with off at 6 o'clock and maximum hot at the 9 o'clock position. Shut off in clockwise direction
- Adjustable temperature limit stop to control maximum hot water temperature
- Pressure balancing mechanism maintains selected discharge temperature to  $\pm 3.6^\circ\text{F}$  ( $\pm 2^\circ\text{C}$ )
- 6 function showerhead

## FLOW

- EP suffix models are limited to 2.0 gpm (7.6 L/min) max for products manufactured prior to June 30, 2018. EP suffix models manufactured after June 30, 2018 are limited to 1.75 gpm (6.7 L/min) max.

## CARTRIDGE

- 1222 cartridge design
- Nonmetallic/nonferrous and stainless steel materials
- Accommodates back to back installations

## STANDARDS

- Third party certified to meet ASME A112.18.1/CSA B125.1 and all applicable requirements referenced therein
- EP suffix models are third party certified to WaterSense®
- ADA ♿ for lever handle

## WARRANTY

- Lifetime limited warranty against leaks, drips and finish defects to the original homeowner
- 10 year limited warranty when used in a multifamily installation
- 5 year limited warranty when used in a commercial installation

Visit [www.moen.com/support](http://www.moen.com/support) for complete details and limitations

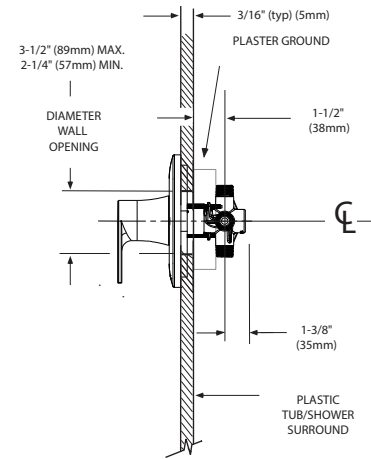
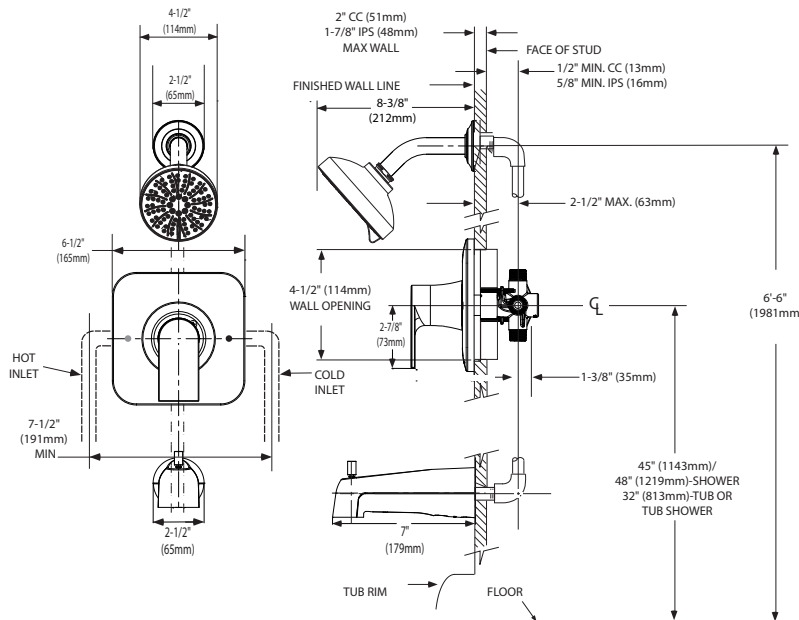
# Specifications



## Genta™ LX POSI-TEMP® Single-Handle Tub/Shower Trim Kit

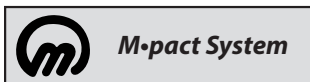
**Models:** T2471 series - valve trim only  
T2472EP series - shower trim only  
T2473EP series - tub/shower trim only

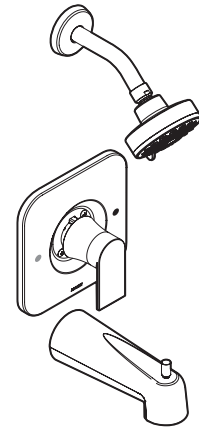
**Valves:** 62300 series  
2500 series



## CRITICAL DIMENSIONS

(DO NOT SCALE)





## Genta™ POSI-TEMP® Single-Handle Tub/Shower Trim Kit

**Models:** T2471 series - valve trim only  
 T2472EP series - shower trim only  
 T2473EP series - tub/shower trim only

**Valves:** 62300 series  
 2500 series



### DESCRIPTION

- Metal construction with chrome finish
- Includes showerhead, arm, flange and diverter spout

### OPERATION

- Lever style handle with temperature red/blue indicator on the escutcheon
- 3 function showerhead: full, wide and massage
- Handle operates counterclockwise through a 270° arc with off at 6 o'clock and maximum hot at the 9 o'clock position. Shut off in clockwise direction
- Adjustable temperature limit stop to control maximum hot water temperature
- Pressure balancing mechanism maintains selected discharge temperature to  $\pm 3.6^\circ\text{F}$  ( $\pm 2^\circ\text{C}$ )

### FLOW

- EP suffix models are limited to 2.0 gpm (7.6 L/min) max for products manufactured prior to June 30, 2018. EP suffix models manufactured after June 30, 2018 are limited to 1.75 gpm (6.7 L/min) max.

### CARTRIDGE

- 1222 cartridge design
- Nonmetallic/nonferrous and stainless steel materials
- Accommodates back to back installations

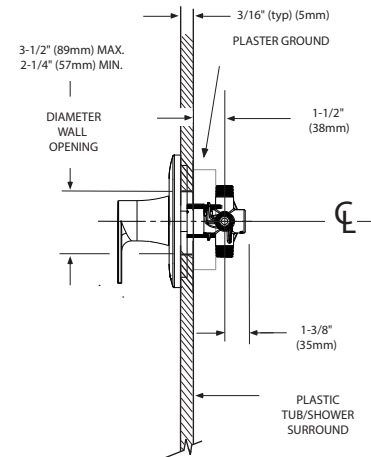
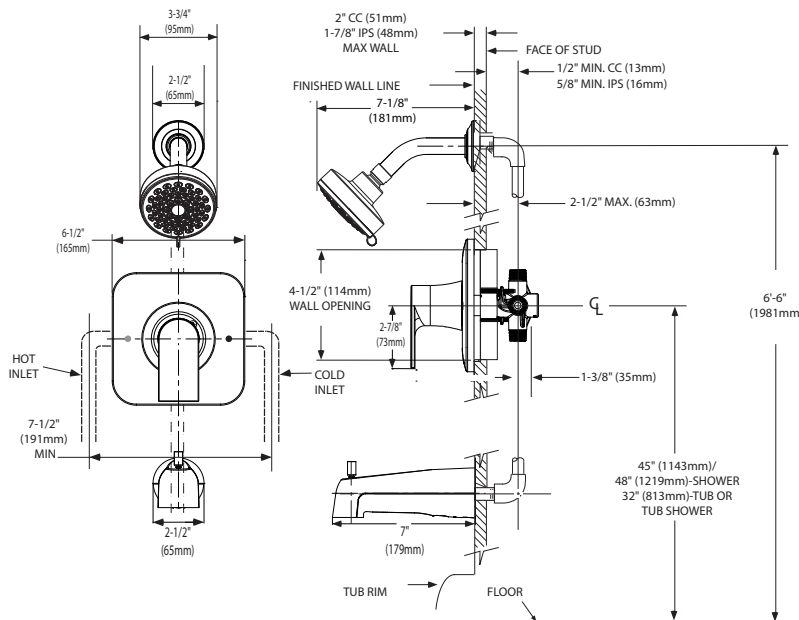
### STANDARDS

- Third party certified to meet ASME A112.18.1/CSA B125.1 and all applicable requirements referenced therein
- EP suffix models are third party certified to WaterSense®
- **ADA** ♿ for lever handle

### WARRANTY

- Lifetime limited warranty against leaks, drips and finish defects to the original homeowner
- 10 year limited warranty when used in a multifamily installation
- 5 year limited warranty when used in a commercial installation

Visit [www.moen.com/support](http://www.moen.com/support) for complete details and limitations



## CRITICAL DIMENSIONS

(DO NOT SCALE)

