

PRODUCT SPECIFICATIONS

Elkay Fireclay 36" x 18-13/16" x 9-5/8" Single Bowl Farmhouse Workstation Sink Kit, White. Sink is molded from fine fireclay with a durable porcelain glaze providing a finish that is non-porous and resists staining. Naturally sound deadening and Front Right drain placement.

| | |
|------------------------------|----------------------------|
| Installation Type: | Farmhouse |
| Material: | Fireclay |
| Special Features: | Workstation |
| Finish: | White (WH) |
| Number of Bowls: | 1 |
| Sink Dimensions: | 36" x 18-13/16" x 10-1/8" |
| Bowl 1 Dimensions: | 34-3/8" x 16-1/4" x 9-5/8" |
| Drain Size: | 3-1/2" (89mm) |
| Drain Location: | Front Right |
| Minimum Cabinet Size: | 39" |
| Mounting Hardware: | No |
| Template Included: | No |

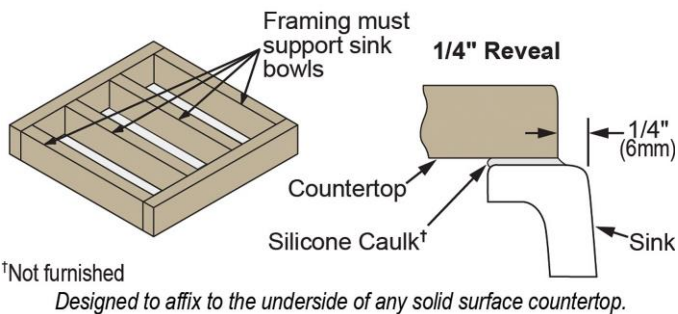
Due to the dimensional variation inherent in the fireclay manufacturing process, a cutout template is not available.

Special Note: Reserve Selection products available in store only. Sink is reversible offering the option of a traditional flat front or a decorative band feature.



White (WH)

Installation Profile:



†Not furnished
Designed to affix to the underside of any solid surface countertop.



Included with Product: SWUF13620 sink, one LKCB1218HW cutting board, one LKOBG3315SS bottom grid, one LK99FC drain, and a LKCLKIT cleaning kit.

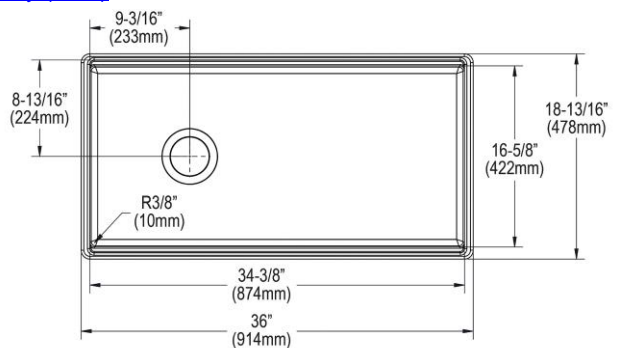
AMERICAN PRIDE. A LIFETIME TRADITION.
Like your family, the Elkay family has values and traditions that endure. For almost a century, Elkay has been a family-owned and operated company, providing thousands of jobs that support our families and communities.

Product Compliance: ASME A112.19.2/CSA B45.1
Accessory: ASME A112.18.2/CSA B125.2



Sinks are listed by IAPMO® as meeting the applicable requirements of the Uniform Plumbing Code®, International Plumbing Code®, and National Plumbing Code of Canada.

[Clean and Care Manual \(PDF\)](#)
[Installation Instructions \(PDF\)](#)
[Warranty \(PDF\)](#)



PART: _____ QTY: _____
PROJECT: _____
CONTACT: _____
DATE: _____
NOTES: _____
APPROVAL: _____

In keeping with our policy of continuing product improvement, Elkay reserves the right to change product specifications without notice. Please visit elkay.com for the most current version of Elkay product specification sheets. This specification describes an Elkay product with design, quality, and functional benefits to the user. When making a comparison of other producers' offerings, be certain these features are not overlooked.

OPTIONAL ACCESSORIES

| | |
|------------------------|----------|
| Drain: | LK99FCS |
| Faucet: | LKEC2037 |
| Soap Dispenser: | LKGT1054 |

In keeping with our policy of continuing product improvement, Elkay reserves the right to change product specifications without notice. Please visit elkay.com for the most current version of Elkay product specification sheets. This specification describes an Elkay product with design, quality, and functional benefits to the user. When making a comparison of other producers' offerings, be certain these features are not overlooked.