



# HILLSIDE™

## 30" APRON FRONT KITCHEN SINK



**D20102000.XXX**

### FEATURES

---

- Fine fire clay construction
- Reversible design with smooth or transitional apron
- Sink is finished on all four sides
- 3-1/2" center drain
- Sink rack and strainer included
- Requires an additional flange if using a garbage disposal (not included)

### DIMENSIONS

---

#### NOMINAL DIMENSIONS

30" x 18-1/16" x 10-1/8" (764 x 460 x 257 mm)

#### BOWL INSIDE DIMENSIONS

28-1/2" (724 mm) wide  
16-1/2" (419 mm) front to back  
8-1/2" (215 mm) depth

### COLORS/FINISHES

---

Canvas White (415), Oyster (410), Chenille Gray (425)

### COMPONENTS

---

7301775-402.0750A Sink Rack

7301839-201-0020A Drain with Strainer

### COMPLIANCE CERTIFICATIONS

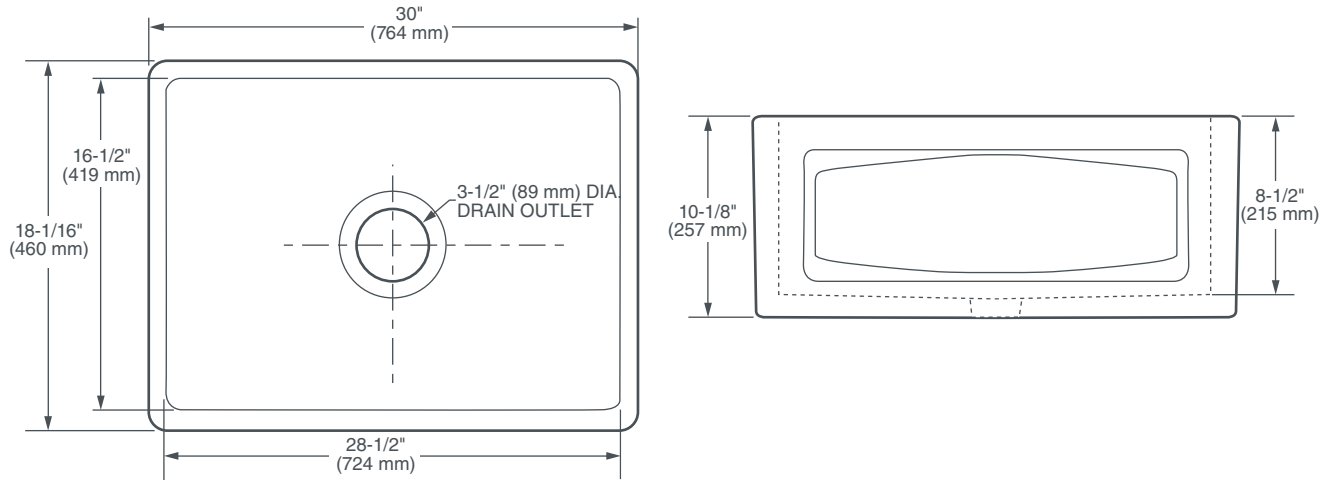
Meets or Exceeds ASME A112.19.2 / CSA B45.1

ROUGH-IN DIAGRAM SHOWN  
ON NEXT PAGE



# HILLSIDE™

## 30" APRON FRONT KITCHEN SINK



### NOTES:

Refer to installation instructions supplied with kitchen sink for undermount, countertop or above counter custom installations.

**Due to the fireclay process, dimensions may vary. Please use the actual sink that you will be installing in order to determine the cutout dimensions for your countertop.**

**CAUTION:** Sink is heavy! Installer must provide adequate reinforcement for all load-bearing supports in accordance with installation instructions supplied with kitchen sink.

Fittings not included with fixture and must be ordered separately.

### IMPORTANT:

Dimensions of fixtures are nominal and may vary within the range of tolerance established by ANSI standards.

These measurements are subject to change or cancellation. No responsibility is assumed for use of superseded or voided pages.

PART OF LIXIL