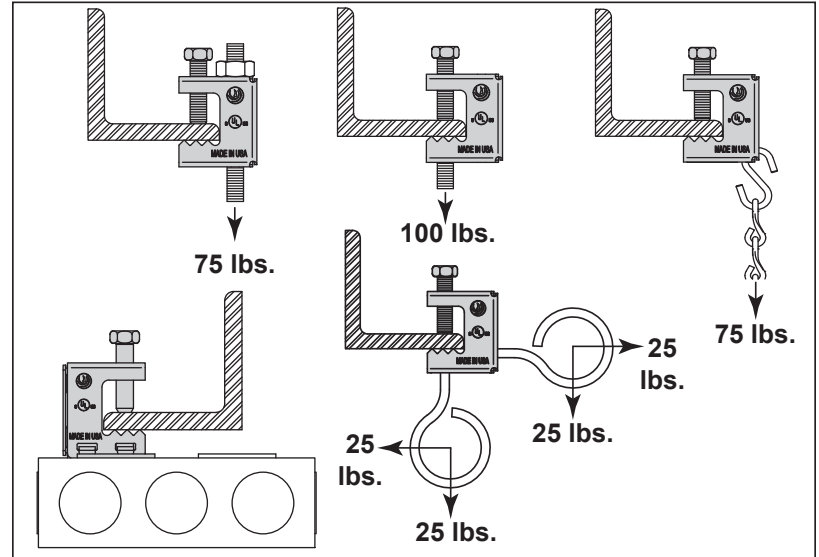
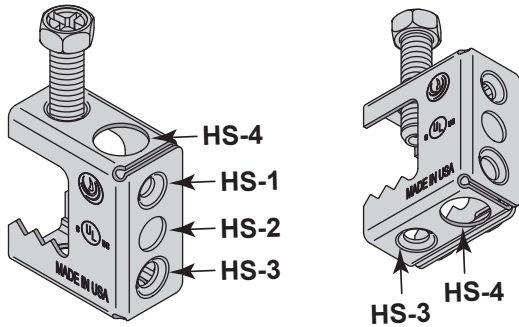


Available Finishes / Materials:

VG -- Phoenix Vanguard

Standard Finish: VG



- UL Listed for box support.
- For installation on 1/2" maximum beam flanges.
- Included combo head set screw allows Robertson, Phillips/Slotted and Hex drivers.
- Accepts "S" hooks, threaded rod and bridal rings.
- **Material:** Spring Steel
- **Finish:** Vanguard

Catalog No.	Max. Flange Thickness	HS-1	HS-2	HS-3	HS-4	Box Qty
BC01	1/2"	#10-24 Thread Form	9/32" Thru Hole	1/4-20 Thread Form	13/32" Thru Hole for 1/4" or 3/8" Rod	100

Material Specifications and Finishes

Spring Steel:

Cold Roll, ASTM A684 Grade 1055 Spring Steel

VG – Phoenix Vanguard

Phoenix Vanguard coating is a multi-step process that meets the 1000 hour salt spray test per ASTM B117 and DIN 50021. **Vanguard coating is WEEE, ELV and RoHS compliant.** VG Finish is approved for wet and dry applications. It is a chrome free three step coating system that combines an inorganic zinc-rich basecoat with an aluminum-rich organic topcoat.

Note: Specifications subject to change without notice.

Project:	Date:	Phone:
Submitted By:	Address:	
Comment		