



4675 W. 160th St.  
Cleveland, Ohio 44135  
Ph: (800) 321-9532  
Fax: (800) 321-9535  
www.dearbornbrass.com

**SUBMITTAL SPECIFICATION**

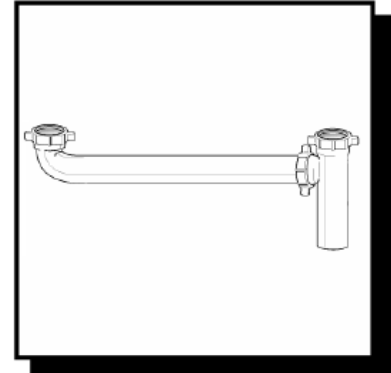
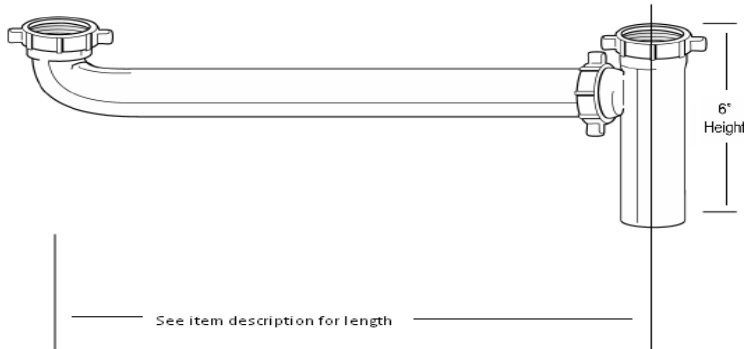
**1-½" PLASTIC TUBULAR  
SLIP JOINT END OUTLET WASTE**

**Engineering Specification:** Dearborn Brass 1-½" Plastic Tubular Slip Joint End Outlet Waste is designed for use in tubular drain applications. Options include Baffle Tee and 16", 21" or 11" - 17" telescopic waste arm lengths and True Blue Premium washers for superior sealing.

**Job Reference**

**DESCRIPTION**

- Made of polypropylene plastic
- Plastic Tubular Slip Joint End Outlet Waste
  - Waste Arm
  - Tailpiece Tee
  - (3) Slip Joint Nuts
  - (3) Washers



- Meets ASTM F 409
- IAPMO Listed



✓	Product No.	Description	Carton Quantity	Carton Weight (lbs)
	P9108A	1-½" x 16" Center to Center, Slip Joint w/Baffle Tee – White	25	13.6
	A9108A	1-½" x 16" Center to Center, Slip Joint w/Baffle Tee - Black	25	13.3
	P9108AB	1-½" x 16" Center to Center, Slip Joint w/Baffle Tee – White – Bagged	25	12.7
	A9108AB	1-½" x 16" Center to Center, Slip Joint w/Baffle Tee – Black – Bagged	25	13.6
	P9108B	1-½" x 21" Center to Center, Slip Joint w/Baffle Tee – White	25	21.5
	A9108B	1-½" x 21" Center to Center, Slip Joint w/Baffle Tee - Black	25	11.5
	P9108AT	1-½" x 11" – 17" Telescopic Waste Arm, Slip Joint w/Baffle Tee – White	25	18.8
	A9108AT	1-½" x 11" – 17" Telescopic Waste Arm, Slip Joint w/Baffle Tee – Black	25	12.2
	P9108ATB	1-½" x 11" – 17" Telescopic Waste Arm, Slip Joint w/Baffle Tee – White – Bagged	25	9.4
	A9108ATB	1-½" x 11" – 17" Telescopic Waste Arm, Slip Joint w/Baffle Tee – Black – Bagged	25	12.6
	P9108AWB	1-½" x 16" Center to Center, Slip Joint w/Baffle Tee and True Blue Premium Washers – White – Bagged	25	12.7
	A9108AWB	1-½" x 16" Center to Center, Slip Joint w/Baffle Tee and True Blue Premium Washers – Black – Bagged	25	13.6

Data is subject to manufacturing tolerances.