



Technical Specification

True Set™ On-Grade Commercial Cleanout

Oatey's True Set™ On-Grade commercial cleanout comes ready to install out of the carton with a cover protected under a concrete tight, impact resistant cover. The barrel assembly is adjustable up 1-1/8" above the poured floor to accommodate any finished floor surface (up to an additional 1" of height can be achieved by using the leveling ring TP5KIT or TP6KIT). All True Set™ cleanouts are available in gray PVC or black ABS plastic and come with a one-half inch FIP threaded trap primer knock-out. All cleanouts come with an installed, cleanout plug (rated to 5 psi per CSA B79) which can be used in place of a test ball up to 15 psi.



Listings:
ASME A112.6.3 & CSA B79
See chart on page 2



Cleanout Covers	All 5" and 6"
Cast Nickel Bronze	Medium Duty*
Cast Brass	Medium Duty*
Cast Chrome Plated Brass	Medium Duty*

*Safe live load between 2000 and 4999 pounds per ASME A112.21.1.

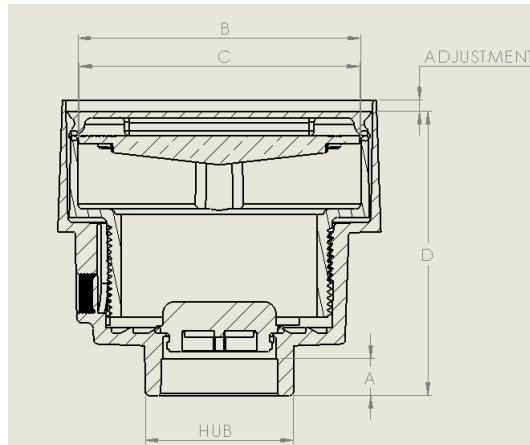
Cleanout Plug Maximum Pressure

	CSA B79	Maximum
2" Plug	5 PSI	15 PSI
3" Plug	5 PSI	15 PSI
4" Plug	5 PSI	15 PSI

PVC Base dimensions and materials meet ASTM D2665.
ABS Base dimensions and materials meet ASTM D2661.

All Dimensions in Inches

HUB Connection	2" Outside/ 3" Inside Fit 3" Outside/ 4" Inside Fit 4" Outside Fit
A: HUB Depth	2" Outside/ 3" Inside Fit: 0.75" 3" Outside/ 4" Inside Fit: 1.50" 4" Outside Fit: 1.750"
Adjustment	0" to 1 1/8" (recesses 1/2")
B: Overall Width	5" - 5.5 Inches 6" - 6.4 Inches
C: Ring/Strainer dia.	5" Round - 5.22" 6" Round - 6.15" 5" Square - 5.22" 6" Square - 6.15"
D: Overall Height	2 2/3" - 5.8" 3 3/4" - 6.5" 4" - 6.8"



BIM/Revit content exists for these drains through Autodesk. Please access by logging onto www.seek.autodesk.com. Once on site, verify your e-mail address and then search for Oatey.

Item Number Logic: TP243B - 2"/3" On Grade PVC Cleanout with 6" Round Brass Cover.

T	P	2	4	3	B
T- True-Set	P- PVC	2- 2"/3" Solvent	1- Flanged Drain	1- 5" Round	S- Stainless Steel
	A- ABS	3- 3"/4" Solvent	2- Flanged Cleanout	2- 5" Round w/ Ring	B- Brass
		4- 4" Solvent	3- On-grade Drain	3- 6" Round	N- Nickel Bronze
			4- On-grade Cleanout	4- 6" Round w/ Ring	C- Chrome
			5- SS Flange Drain	5 - 5" Square w/Ring	
			6- SS Flange Cleanout	6 - 6" Square w/Ring	

Oatey Co.
4700 West 160 th St.
Cleveland, OH 44135

Phone: 1-800-321-9532
Phone: 1-800-321-9535
Visit www.oatey.com for Update



Technical Specification

True Set™ On-Grade Commercial Cleanout

	Stamped SS Strainer		Die Cast Brass Strainer		Die Cast Nickel Strainer		Die Cast Chrome Plated Strainer	
	Round	Round w/ Ring	Round	Round w/ Ring	Round	Round w/ Ring	Round	Round w/ Ring
5" Strainer	PVC GP Base	TP231S	TP232B	TP235B	TP231N	TP232N	TP231C	TP232C
		TP331S	TP332B	TP335B	TP331N	TP332N	TP331C	TP332C
		TP431S	TP432B	TP435B	TP431N	TP432N	TP431C	TP432C
		TP231S	TP232B	TP235B	TP231N	TP232N	TP231C	TP232C
		TP331S	TP332B	TP335B	TP331N	TP332N	TP331C	TP332C
		TP431S	TP432B	TP435B	TP431N	TP432N	TP431C	TP432C
		TP211S	TP212B	TP215B	TP211N	TP212N	TP211C	TP212C
		TP311S	TP312B	TP315B	TP311N	TP312N	TP311C	TP312C
		TP411S	TP412B	TP415B	TP411N	TP412N	TP411C	TP412C
		TP211S	TP212B	TP215B	TP211N	TP212N	TP211C	TP212C
		TP311S	TP312B	TP315B	TP311N	TP312N	TP311C	TP312C
		TP411S	TP412B	TP415B	TP411N	TP412N	TP411C	TP412C
6" Strainer	PVC GP Base	TP233S	TP234B	TP236B	TP233N	TP234N	TP233C	TP234C
		TP333S	TP334B	TP336B	TP333N	TP334N	TP333C	TP334C
		TP433S	TP434B	TP436B	TP433N	TP434N	TP433C	TP434C
		TP233S	TP234B	TP236B	TP233N	TP234N	TP233C	TP234C
		TP333S	TP334B	TP336B	TP333N	TP334N	TP333C	TP334C
		TP433S	TP434B	TP436B	TP433N	TP434N	TP433C	TP434C
		TP213S	TP214B	TP216B	TP213N	TP214N	TP213C	TP214C
		TP313S	TP314B	TP316B	TP313N	TP314N	TP313C	TP314C
		TP413S	TP414B	TP416B	TP413N	TP414N	TP413C	TP414C
		TP213S	TP214B	TP216B	TP213N	TP214N	TP213C	TP214C
		TP313S	TP314B	TP316B	TP313N	TP314N	TP313C	TP314C
		TP413S	TP414B	TP416B	TP413N	TP414N	TP413C	TP414C
5" Clean-out	PVC GP Base	TP241B	TP242B	N/A	TP241N	TP242N	TP241C	TP242C
		TP341B	TP342B	N/A	TP341N	TP342N	TP341C	TP342C
		TP441B	TP442B	N/A	TP441N	TP442N	TP441C	TP442C
		TP241B	TP242B	N/A	TP241N	TP242N	TP241C	TP242C
		TP341B	TP342B	N/A	TP341N	TP342N	TP341C	TP342C
		TP441B	TP442B	N/A	TP441N	TP442N	TP441C	TP442C
		TP221B	TP222B	N/A	TP221N	TP222N	TP221C	TP222C
		TP321B	TP322B	N/A	TP321N	TP322N	TP321C	TP322C
		TP421B	TP422B	N/A	TP421N	TP422N	TP421C	TP422C
		TP221B	TP222B	N/A	TP221N	TP222N	TP221C	TP222C
		TP321B	TP322B	N/A	TP321N	TP322N	TP321C	TP322C
		TP421B	TP422B	N/A	TP421N	TP422N	TP421C	TP422C
6" Clean-out	PVC GP Base	TP243B	TP244B	N/A	TP243N	TP244N	TP243C	TP244C
		TP343B	TP344B	N/A	TP343N	TP344N	TP343C	TP344C
		TP443B	TP444B	N/A	TP443N	TP444N	TP443C	TP444C
		TP243B	TP244B	N/A	TP243N	TP244N	TP243C	TP244C
		TP343B	TP344B	N/A	TP343N	TP344N	TP343C	TP344C
		TP443B	TP444B	N/A	TP443N	TP444N	TP443C	TP444C
		TP223B	TP224B	N/A	TP223N	TP224N	TP223C	TP224C
		TP323B	TP324B	N/A	TP323N	TP324N	TP323C	TP324C
		TP423B	TP424B	N/A	TP423N	TP424N	TP423C	TP424C
		TP223B	TP224B	N/A	TP223N	TP224N	TP223C	TP224C
		TP323B	TP324B	N/A	TP323N	TP324N	TP323C	TP324C
		TP423B	TP424B	N/A	TP423N	TP424N	TP423C	TP424C



Technical Specification

True Set™ On-Grade Commercial Cleanout

Chemical Compatibility Chart for True Set Drains

Yes – Compatible with PVC up to 140 °F and ABS up to 160 °F

No – Not Compatible

Number – Compatible up to that temperature.

Chemical	PVC	ABS	Chemical	PVC	ABS
10% Ammonium Hydroxide	Yes	Yes	Kerosene	Yes	73F
Acetic Acid	Yes	No	Ketones	No	No
Acetone	No	No	Linseed Oil	Yes	73F
Aliphatic Solvents	No	No	Lubricating Oil	Yes	No
Ammonia (Concentrated)	No	Yes	Methylene chloride	No	No
Aromatic Solvents	No	No	Milk	Yes	Yes
Battery Acid	Yes	Yes	Mineral oil	Yes	73F
Beer	Yes	Yes	Motor/Engine oil	Yes	No
Bleach 5% Active	Yes	Yes	Nitric Acid 10%	Yes	73F
Bleach 12% Active	Yes	73 F	Nitric Acid 40%	Yes	No
Borax Solution	Yes	Yes	Nitric Acid 70%	73F	No
Brine	Yes	Yes	Phosphoric acid to 50%	Yes	73F
Calcium chloride	Yes	Yes	Phosphoric acid 85%	Yes	No
Carbon Tetrachloride	73F	No	Plating Solutions	Yes	No
Caustic Potash (50% KOH)	Yes	Yes	Potassium hydroxide	Yes	73F
Caustic Soda (40% NaOH)	Yes	Yes	Propylene glycol	Yes	Yes
Chlorinated Solvents	No	No	Silicone Oil	73F	No
Chlorinated Water	Yes	Yes	Silver Nitrate	Yes	Yes
Citric acid 10%	Yes	Yes	Soaps	Yes	73F
Crude Oil	Yes	No	Sodium chloride, sat.	Yes	Yes
Detergents	Yes	Yes	Sodium hydroxide Up to 70%	Yes	120F
Diesel Fuel	Yes	No	Sodium hypochlorite 15%	73F	120F
Ethanol to 95%	Yes	Yes	Stoddard's Solvents	No	No
Ethylene glycol	Yes	73F	Sulfuric acid Up to 30%	Yes	120F
Fatty Acids	Yes	Yes	Sulfuric acid 50%	Yes	73F
Fructose or High Fructose Corn Syrup	Yes	Yes	Sulfuric Acid (concentrated)	73F	No
Gasoline	No	Yes	Thread Cutting Oils	73F	No
Glycerol	Yes	Yes	Toluene	No	No
Hydraulic Fluid	73F	No	Turpentine	Yes	No
Hydrochloric acid 10%	Yes	73F	Urea/Urine	Yes	Yes
Hydrochloric acid 30%	Yes	No	Vegetable Oils	Yes	Yes
Hydrogen peroxide up to 95%	Yes	No	Vinegar	Yes	73F
Isopropyl alcohol	Yes	No	Water, Distilled/Soft/Hard	Yes	Yes