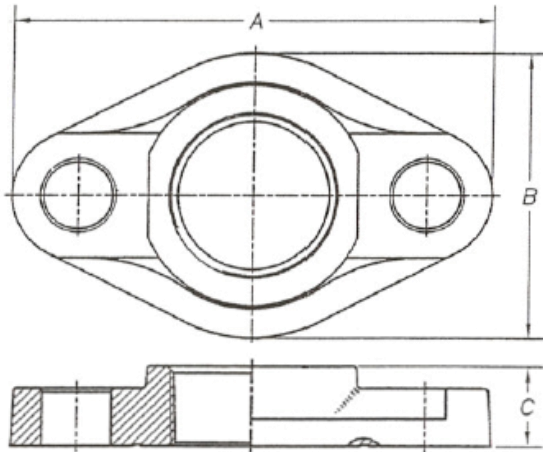


# 431LF Water Meter Flange • Spec Sheet



## FEATURES & BENEFITS

- Lead Free Bronze\*
- Oval
- Threaded & Sweat
- AB 1953 & NSF 61- Annex G Certified
- Class 125
- NBR Rubber Gaskets
- Sizes - 1-1/2" and 2"

## MATERIAL SPECIFICATIONS

Parts	Material
Body	Bronze C89844

## DIMENSIONS

Part #	Size	A	B	C
431T07LF	1-1/2"	5.52	3.35	0.93
431T08LF	2"	6.09	3.94	0.87

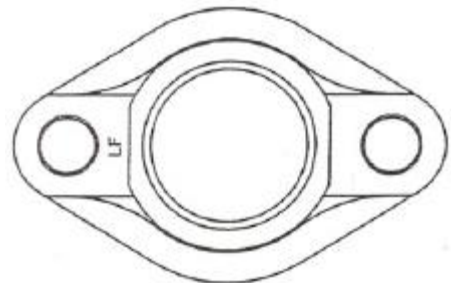
## Kits Available:

### •431SPLF Single Kits are Available

- Each Kit Includes: 1 Flanges, 1 Gaskets, 2 Nuts and 2 Bolts.  
431T07SPLF – 1-1/2"  
431T08SPLF – 2"

### •431PLF Double Kits are Available

- Each Kit Includes: 2 Flanges, 2 Gaskets, 4 Nuts and 4 Bolts.  
431T07PLF / 431C07PLF – 1-1/2"  
431T08PLF / 431C08PLF – 2"  
431T10PLF – 3"  
431T11PLF – 4"  
431T13PLF – 6"



\*This product complies with 0.25% weighted average lead content on wetted surfaces in accordance with the Safe Drinking Water Act (SDWA) / Federal Public Law No. 111-380.

