



SUBMITTAL DATA: LIVV09HP230V1A		9000 BTU/H Wall Mounted Heat Pump System
Job Name	Location	Date
Purchaser	Engineer	
Submitted To	For	
Unit Designation	Schedule No.	

<b>YAN1F6F</b>	<b>LIVV09HP230V1AH</b>	<b>LIVV09HP230V1AO</b>
----------------	------------------------	------------------------



XE71 (Optional)



**GENERAL FEATURES**

- AHRI Certificate: [205093060](#)
- High Efficiency DC Inverter Technology
- Compact and Quiet Design
- Wireless Remote with LCD Display
- Wired Controller Options
- Wi-Fi Included

Low Ambient Cooling down to 0°F (Range 0°F to 115°F)

Low Ambient Heating down to -4°F (Range -4°F to 75°F)

Coil (Indoor and Outdoor) Copper Tube / Aluminum Fin\*<sup>†</sup>

\* (Blue Fin) 500 Hrs Salt Spray Tested

**5 Year Limited Compressor & Parts Warranty (Residential Only)**

**SPECIFICATIONS**

**LIVV09HP230V1AH / LIVV09HP230V1AO**

System Type		<b>HEAT PUMP</b>	
<b>SYSTEM PERFORMANCE</b>			
Cooling	Rated Capacity @ 95°F	Btu/h	9100
	Min-Max Capacity	Btu/h	2457 - 9600
Heating	Rated Capacity @ 47°F	Btu/h	9500
	Min-Max Capacity	Btu/h	2457 - 11500
SEER / EER		17 / 10.25	
HSPF / COP		9 / 3.6	
Energy Star®		NO	
Cooling Temperature Range		°F	0 - 115
Heating Temperature Range		°F	-4 - 75
<b>INDOOR UNIT</b>		<b>LIVV09HP230V1AH</b>	
Fan Motor Output Power		W	20
Fan Motor FLA		amps	0.22
Air Flow (Min - Max)		CFM	182 - 294
Sound Pressure Level (Cooling / Heating)		dB(A)	26 - 39 / 29 - 41
Dehumidification		pt/hr	1.69
Condensate Drain Size (OD)		in	0.625
Unit Dimension (WxHxD)		in	31 1/8 x 10 3/4 x 7 7/8
Package Dimension (WxHxD)		in	34 x 14 x 11
Weight (Net / Gross)		lbs	19.8 / 24.3
<b>OUTDOOR UNIT</b>		<b>LIVV09HP230V1AO</b>	
Compressor Type		GREE G-10 / 1 STAGE INVERTER	
Compressor RLA		amps	6.6
Fan Motor Output Power		W	30
Fan Motor RLA		amps	0.37
Sound Pressure Level (Cooling / Heating)		dB(A)	50
Unit Dimension (WxHxD)		in	30 5/8 x 21 1/4 x 10 1/8
Package Dimension (WxHxD)		in	33 x 23 x 14
Weight (Net / Gross)		lbs	58.4 / 63.9
Refrigerant Charge - R410A		oz	24
Coil Type		Aluminum Fin-Copper Tube / Acrylic Resin Protection	
<b>REFRIGERANT PIPING</b>			
Line Set Size (Liquid - Gas)		in	1/4 - 3/8
Pre-Charge Lengh		ft	25
Pipe Length (Min - Max)		ft	10 - 49
Max. Pipe Elevation		ft	33
<b>ELECTRICAL</b>			
Power Supply (Voltage Operating Range)		208-230V / 1Ph / 60Hz	
Rated Current (Cooling / Heating)		amps	6.3 / 6.2
MCA / MOCP		amps	10 / 15
Main Power Wire Size		AWG	Size Per Local Code
Interconnecting Wire Size		AWG	14 / 4
<b>LIMITED WARRANTY</b>		<b>5 Years Parts and Compressor - Residential</b>	

**Features & Function Summary****LIVV09HP230V1A****SYSTEM FEATURES**

Inverter Type	G10
Ultra Low Frequency Torque Control	Yes
Power Factor Correction	Yes
Compressor Type	High Eff. Rotary
Refrigerant Type	R410A
Basepan With Electric Heater	YES
Compressor With Electric Heater	YES
Outdoor Fin Coating (Color: Blue)	Acrylic-Resin/Anti-Corrosive
Intelligent Defrosting	YES
Force Defrosting	YES
Intelligent Preheating	YES
Low Voltage Startup	YES
Memory/Power Failure Recovery	YES
Self Diagnosis	YES
Wired Controller Interface (XE71)	YES
WiFi Included	YES
Indoor Fan Type	Crossflow
Multi Fan Speeds	4 Speeds
Indoor Unit Display	YES
Auxiliary Electrical Heater	NO
Ventilation (Outdoor Air)	NO

**REMOTE CONTROLLER FUNCTIONS**

Auto Mode	YES
Auto Fan	YES
Manual Horizontal Swing	YES
Auto Swing (Vertical Auto Swing)	YES
Clock on Remote Controller	YES
Dry Mode	YES
Dry Anti-Mildew (X-Fan) Mode	YES
Energy Saving Mode	YES
Dirty Filter Alert	NO
I Feel Function	YES
Lock on Remote Controller	YES
Quiet Mode	NO
Room Temperature Display	YES
Sleep Mode	YES
Timer Mode	YES
Turbo Mode	YES
Display On/Off Control	YES
Freeze Guard Mode (46 °F)	YES
Display On/Off Control	YES

**EXTENDED RATINGS**

**LIVV09HP230V1A**

**COOLING PERFORMANCE (BtuH)\***

Outdoor Ambient Temperature (DB)	Indoor Entering Air Temperatures					
	68°F DB		73°F DB		80°F DB	
	57°F FWB		61°F FWB		67°F FWB	
	TC	SHC	TC	SHC	TC	SHC
0°F	3094	2243	3822	2771	4550	3299
5°F	3549	2591	4277	3122	5005	3654
17°F	4004	2943	4732	3478	5460	4013
23°F	4186	3098	4914	3636	5642	4175
32°F	4368	3254	5096	3797	5824	4339
41°F	4914	3686	5642	4232	6370	4778
50°F	5460	4122	6188	4672	6916	5222
57°F	5824	4426	6552	4980	7280	5533
67°F	6097	4664	6825	5221	7553	5778
75°F	7644	5886	8372	6446	9100	7007
86°F	8463	6559	9191	7123	9919	7687
95°F	7644	5962	8372	6530	9100	7098
104°F	6734	5286	7462	5858	8190	6429
113°F	6188	4889	6916	5464	7644	6039
122°F	5278	4196	6006	4775	6734	5354

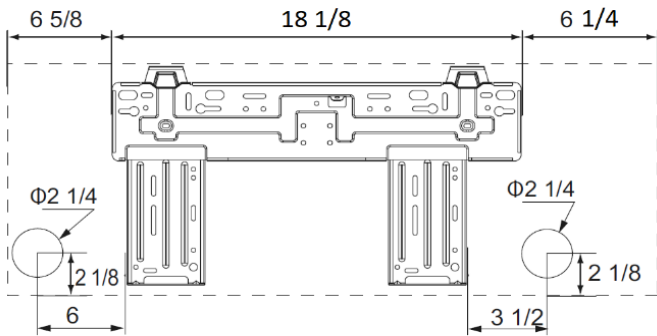
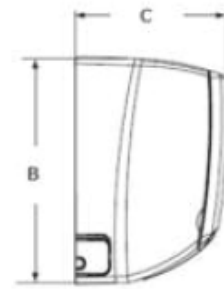
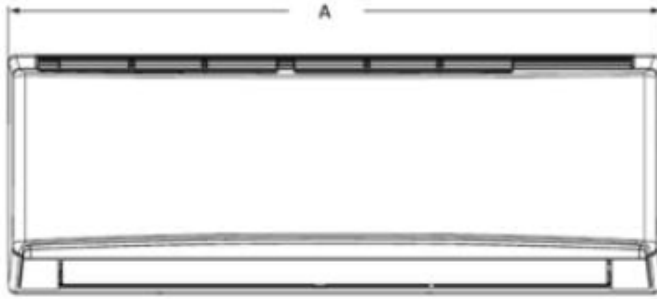
**HEATING PERFORMANCE (BtuH)\***

Outdoor Ambient Temperature (DB)	Indoor Entering Air Temperatures								
	68°F DB			70°F DB			80°F DB		
	57°F FWB			60°F FWB			67°F FWB		
	TC	Power Input (KW)	COP	TC	Power Input (KW)	COP	TC	Power Input (KW)	COP
-5°F	4370	620	2.1	4560	632	2.1	4750	645	2.2
0°F	5035	632	2.3	5225	645	2.4	5415	658	2.4
5°F	5320	645	2.4	5510	658	2.5	5700	672	2.5
10°F	5510	658	2.5	5700	672	2.5	5890	685	2.5
17°F	6143	672	2.7	6333	686	2.7	6523	699	2.7
19°F	6460	686	2.8	6650	700	2.8	6840	714	2.8
24°F	7410	700	3.1	7600	714	3.1	7790	728	3.1
32°F	8170	714	3.4	8360	728	3.4	8550	743	3.4
41°F	8835	728	3.6	9025	743	3.6	9215	758	3.6
43°F	9120	743	3.6	9310	759	3.6	9500	774	3.6
47°F	9310	759	3.6	9500	774	3.6	9690	789	3.6
53°F	9405	781	3.5	9595	797	3.5	9785	813	3.5
59°F	9500	805	3.5	9690	821	3.5	9880	838	3.5
64°F	9785	829	3.5	9975	846	3.5	10165	863	3.5
70°F	10070	854	3.5	10260	871	3.5	10450	889	3.5
75°F	10355	879	3.5	10545	897	3.4	10735	915	3.4
78°F	10735	906	3.5	10925	924	3.5	11115	943	3.5

**\* Maximum Output Values - Not at AHRI Test Conditions**

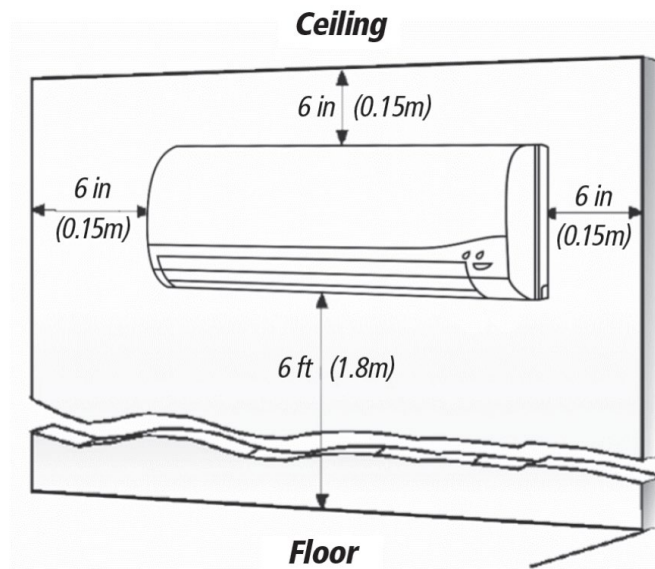
TC- Total Capacity ( BtuH)

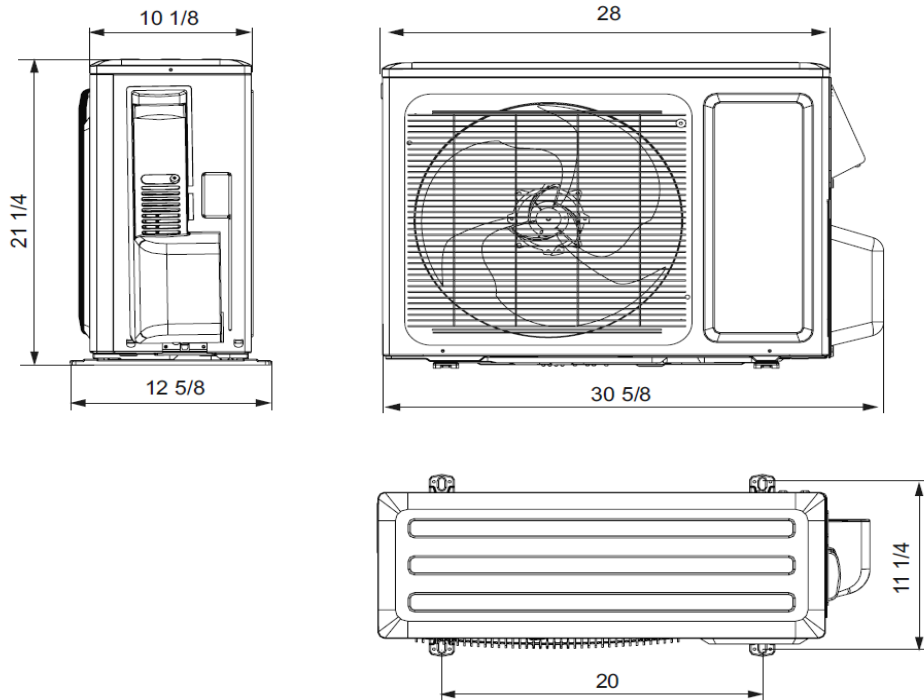
COP- Coefficient of Performance



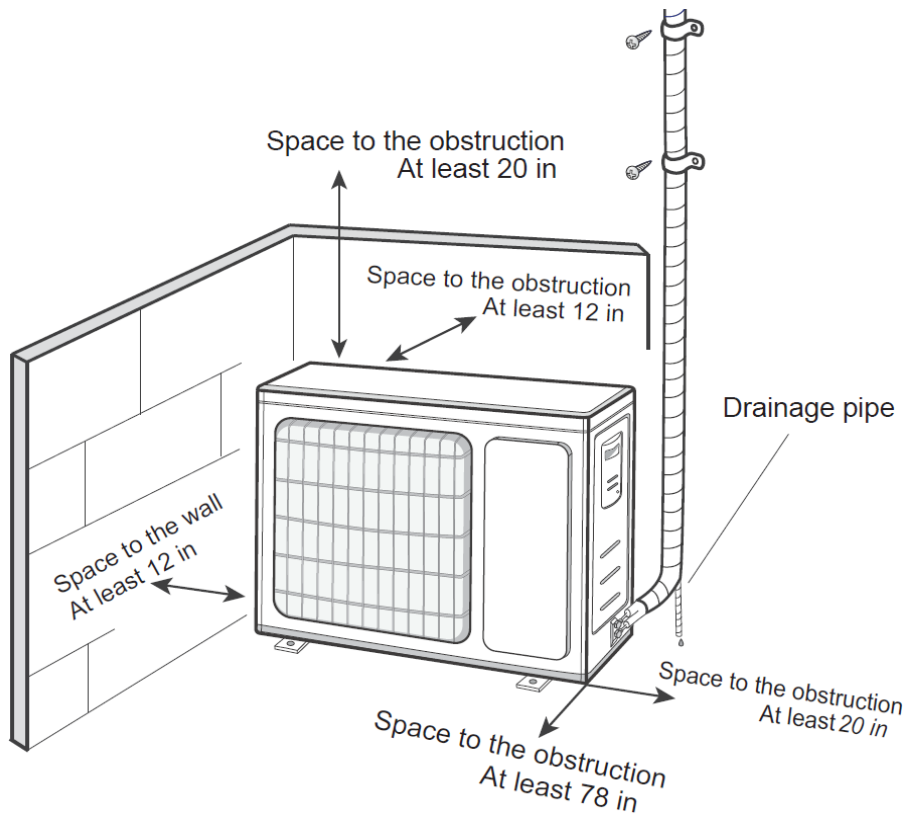
Dimensions	
A	31 1/8
B	10 3/4
C	7 7/8

Unit = Inch





Unit = Inch



Specifications are subject to change without notice. Manufacturer reserves the right to discontinue or modify specifications or designs without notice or without incurring obligations. All Rights reserved.