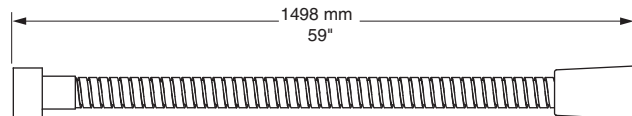
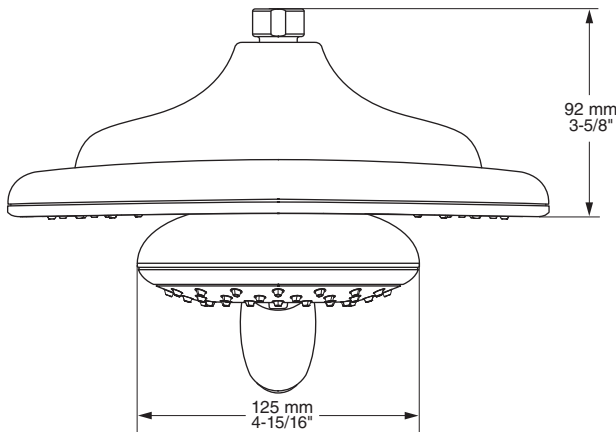
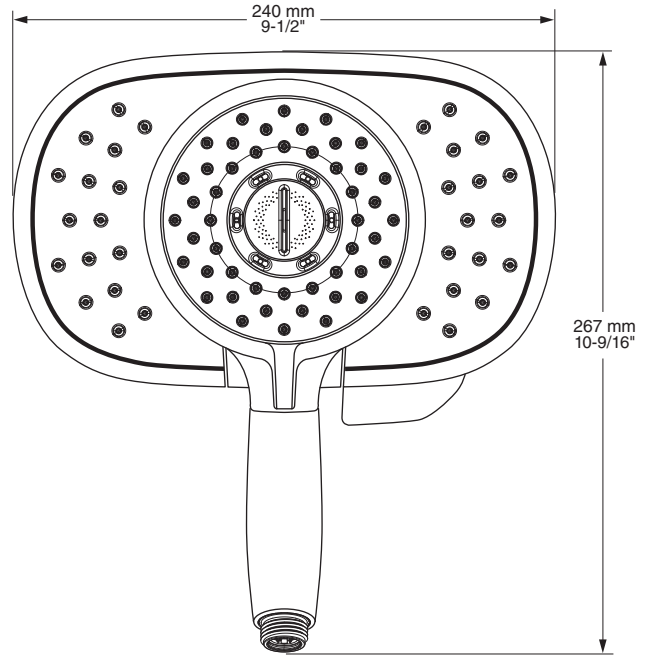
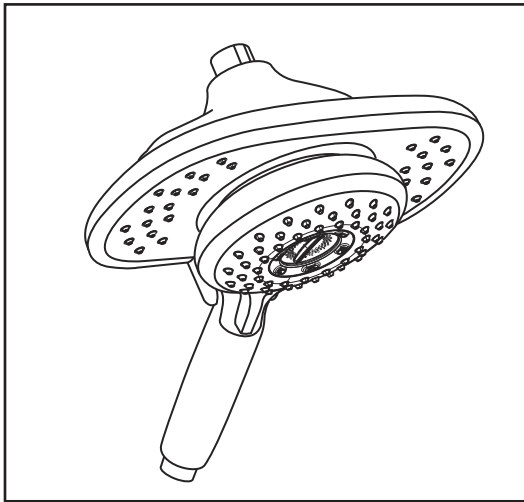


MODEL NUMBER:

□ 9035.254 Spectra+ Duo™ 4-Function 2-in-1 Showerhead



GENERAL DESCRIPTION:

2-in-1 Showerhead adjusts from Drench to Sensitive to Powerwash® to Massage. Permanent built-in compensating flow control device. 2.5gpm/9.5 L/min. maximum flow rate.

PRODUCT FEATURES:

Pressure Compensating Flow Control Device:

Provides consistent flow over a wide pressure range.

Variety of Spray Functions: Allows the user to select the spray functions best suited to their needs.

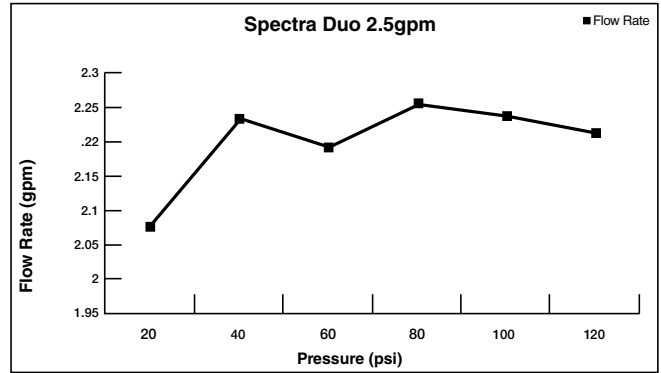
SUGGESTED SPECIFICATION

2-in-1 Showerhead shall have 4 spray functions. 2-in-1 shall have a pressure compensating flow control device and check valve to prevent cross flow of hot and cold water. Fitting shall be American Standard Model # 9035.254.____.


CODES AND STANDARDS

These products meet or exceed the following codes and standards:

ASME A112.18.1
CSA B125.1



Product Number	Description	Finish Options			
		Polished Chrome	Brushed Nickel	Polished Nickel (PVD)	Legacy Bronze
		002	295	013	278
9035.254	Spectra+ Duo™ 4-Function 2-in-1 Showerhead.				

Showerhead Accessories	
Product Number	Description
1660.240	Standard Shower Arm and Flange 
1660.241	Modern Shower Arm and Flange 