



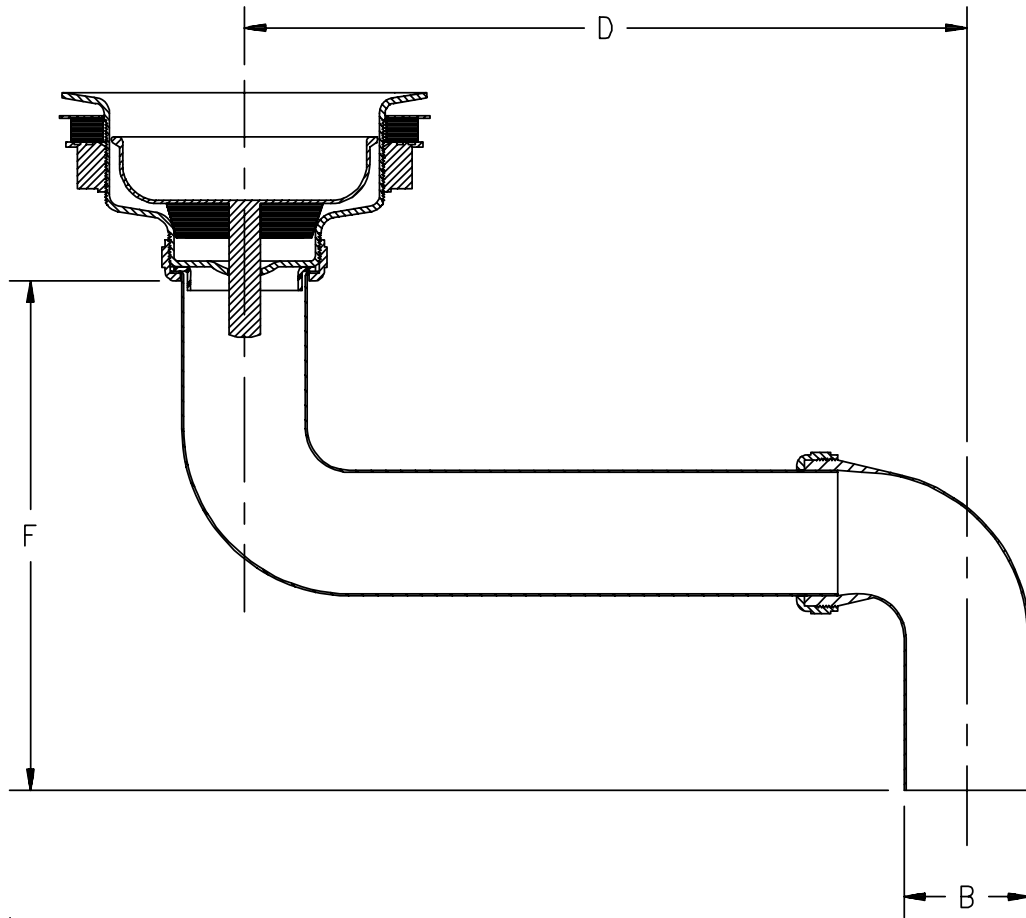
OFFSET SINK STRAINERS ADA COMPLIANT

Z8747-PC TO Z8750A-PC

TAG _____



Engineering Specification: Zurn Z8747-PC to Z8750A-PC – Cast brass body with up to 11[279] offset for wheelchair use of most 6[152] or 7[178] sinks. Fits most 1 1/2[38] direct connect sink strainers. Includes brass nuts and chrome plated brass, 17 gauge tailpiece.



Note: All dimensions are for reference only. Do not use for pre-plumbing

PRODUCT NUMBER	B OUTLET	STRAINERS	DIMENSIONS		MASTER CARTON	WEIGHT CARTON
			D	F		
Z8747-PC	1 1/2[38]	NONE - OFFSET ONLY	12 3/4[324]	6 1/4[159]	10	12
Z8748-PC	1 1/2[38]	BRASS - Z8740-PC	12 3/4[324]	6 1/4[159]	10	22
Z8749-SS	1 1/2[38]	STAINLESS - Z8741-SS	12 3/4[324]	6 1/4[159]	10	22
Z8750-PC	1 1/2[38]	BRASS FLAT GRID - Z8737-PC	12 3/4[324]	6 1/4[159]	10	22
Z8750A-PC	1 1/2[38]	BRASS FLAT GRID - Z8739-PC	12 3/4[324]	6 1/4[159]	10	22

ZURN INDUSTRIES, LLC ♦ COMMERCIAL BRASS OPERATION ♦ 2640 SOUTH WORK STREET ♦ FALCONER NY 14733

Phone: 1-800-997-3876 ♦ Fax: 1-919-775-3541 ♦ www.zurn.com

In Canada: ZURN INDUSTRIES LIMITED ♦ 3544 Nashua Drive ♦ Mississauga, Ontario L4V1L2 ♦ Phone: 905/405-8272 Fax: 905/405-1292