

# Z6950-XL-IM-S

Aqua-FIT® Battery Powered Faucet with Integral Mixer



Patented and Patent Pending

## Flow Control Options

- E\* 1.5 gpm/ 5.7 Lpm Vandal-Resistant Aerator
- F 0.5 gpm/1.9 Lpm Vandal-Resistant Non-Aerated
- J\* 1.5 gpm/ 5.7 Lpm Vandal-Resistant Laminar Flow
- K\* 1.0 gpm/ 3.8 Lpm Vandal-Resistant Laminar Flow
- L \* 1.0 gpm/ 3.8 Lpm Vandal-Resistant Aerator
- M 0.35 gpm/1.3 Lpm Vandal-Resistant Non-Aerated
- N 0.5 gpm/ 1.9 Lpm Vandal-Resistant Laminar Flow

## Power Supply Choices (Sold Separately)

- ACA 6 VDC Plug-In Power Converter
- HW6 Hardwired Power Converter

## Optional Power Supply Accessories

- CWB Connector Wire for Hardwire Install
- MJ Mini Junction Box

**NOTE: For Hardwire applications furnish P6000-HW6 power converter. Order P6000-HW6 power converter separately.**  
The P6000-HW6 and P6000-MJ will power up to 8 sensor faucets.

Architectural/Engineering Approval

The information contained in this document is subject to change without notice.  
Please contact Zurn for most up to date information.

ZURN INDUSTRIES, LLC. ♦ COMMERCIAL BRASS OPERATION  
5900 ELWIN BUCHANAN DRIVE ♦ SANFORD NC 27330  
PHONE: 1-800-997-3876 ♦ FAX: 919-775-3541  
WWW.ZURN.COM  
IN CANADA: ZURN INDUSTRIES LIMITED  
7900 GOREWAY DRIVE UNIT 10 ♦ BRAMPTON, ONTARIO L6T5W6  
PHONE: 905-405-8272 FAX: 905-405-1292

Aqua-FIT® is a trademark of Zurn Industries, LLC.

## Engineering Specification

ADA compliant, battery powered, chrome plated sensor faucet for retrofit and new construction.

- Customizable Settings
  - Time-out
  - Line Purge
  - Sensor Range
  - Metering Mode
- Occupant Detection
  - Infrared convergence-type proximity sensor
  - Thirty Second Time out feature
- Spout module
  - Chrome Plated Cast Brass
- Dual Solenoid Operated
- Integral Above Deck Mixing
- Also Includes
  - In-line filter
  - 4 "AA" lithium batteries
  - Inlet for a 1/2"[13] ball riser

## Accessories

- 5S 5 sec. Timeout
- 10S 10 sec. Timeout
- 15S 15 sec. Timeout
- 60S 60 sec. Timeout
- CP4 Cover Plate 4"[102] Centers
- CP8 Cover Plate 8"[203] Centers
- LP12 Line Purge 2 min/12 hr
- LP24 Line Purge 2 min/24 hr
- LP48 Line Purge 2 min/48 hr
- SH Supply Hoses for Mixing Valve
- \_\_\_\_\_ Other

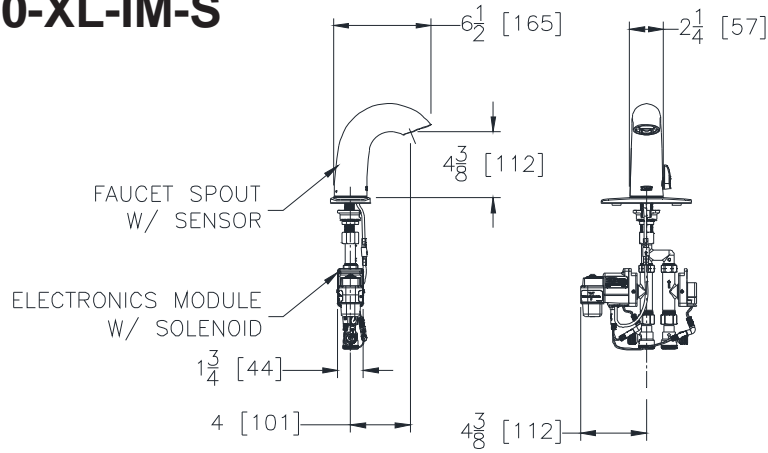


\* This product should be used with a WaterSense labeled counterpart with a compatible flush volume to ensure that the entire system meets the requirements for water efficiency and performance.

*Zurn Lead Free products (-XL) is the line of durable, high quality brass faucets and fixtures that are designed and manufactured to comply with Section 1417 of the Safe Drinking Water Act (SDWA) which mandates the weighted average lead content of no more than 0.25% of the wetted surface.*

# TYPICAL Z6950-XL-IM-S

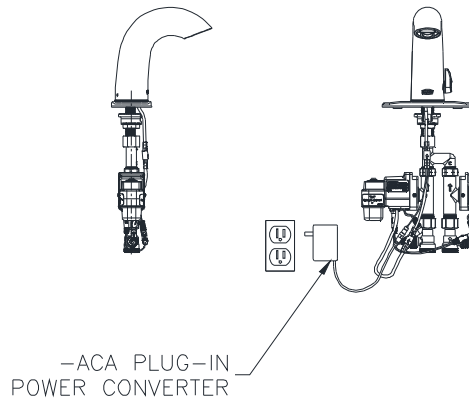
AquaSense Battery  
Powered Faucet



NOTE: Recommended through hole diameter to properly mount the spout/shank is 1-1/8" to 1-1/4".

# TYPICAL Z6950-XL-IM-S-ACA

AquaSense Plug-In  
Powered Faucet



# TYPICAL Z6950-XL-IM-S-CWB

AquaSense Hardwire  
Powered Faucet

Optional:

\* Optional -MJ mini junction box for connecting up to 8 faucets

NOTE: MUST USE EITHER ZURN P6000-HW6 HARDWIRE POWER CONVERTER OR ZURN P6000-ACA PLUG-IN POWER CONVERTER TO ENSURE PROPER OPERATION. USING A POWER CONVERTER OTHER THAN ZURN MAY RESULT IN OPERATION MALFUNCTION OR UNIT FAILURE.

