

For Commercial, Residential and Institutional Applications

Job Name _____

Contractor _____

Job Location _____

Approval _____

Engineer _____

Contractor's P.O. No. _____

Approval _____

Representative _____

Series IWTG-Gas

Air Test Assembly Gauges

Dial Sizes: 2" (50mm)

Series IWTG-Gas Air Test Assembly Gauges are used in commercial, residential, and institutional HVAC applications. The gauges have $\frac{3}{4}$ " (20mm) FPT chrome-plated brass manifolds, steel cases, Kostil Polymer windows, $\frac{3}{4}$ " (20mm) FPT x Schrader type air valves with caps connections, and copper alloy Bourdon tube pressure elements. Accuracy is ASME, Type B. The Series IWTG gauges are available in various pressure rating scales.

Features

- Black enamel steel case
- Kostil polymer window
- $\frac{3}{4}$ " (20mm) FPT chrome-plated brass manifolds
- $\frac{3}{4}$ " (20mm) FPT x Schrader type air valves with caps connections
- Copper alloy Bourdon sensing element
- Tin alloy welding
- ASME Type "B" accuracy

Standards

ISO 9002 quality standard
ASME B40.100

Temperature

Working Temperature: 14°F to 176°F (-10°C to 80°C)



IWTG-GAS

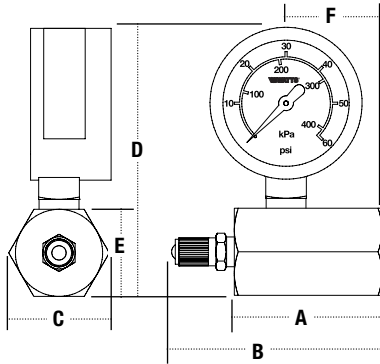
WATTS®

Watts product specifications in U.S. customary units and metric are approximate and are provided for reference only. For precise measurements, please contact Watts Technical Service. Watts reserves the right to change or modify product design, construction, specifications, or materials without prior notice and without incurring any obligation to make such changes and modifications on Watts products previously or subsequently sold.

Materials

Case: steel - black enamel
 Window: Kostil polymer
 Manifolds: FPT chrome-plated brass
 Sensing Element: copper alloy Bourdon tube
 Welding: tin alloy

Dimensions – Weights



MODEL	SCALE		SIZE (DN)	DIMENSIONS								WEIGHT					
				A		B		C		D		E		F		lbs.	kgs.
				in.	mm	in.	mm	in.	mm	in.	mm	in.	mm	in.	mm		
IWTG-Gas 2	0 – 15psi	103 kPa	3/4" (20mm) FPT	2	64	2 7/8	72	1 3/8	35	3 5/8	92	1 3/16	30	1 5/16	33	.82	.37
IWTG-Gas 2	0 – 30psi	207 kPa	3/4" (20mm) FPT	2	64	2 7/8	72	1 3/8	35	3 5/8	92	1 3/16	30	1 5/16	33	.82	.37
IWTG-Gas 2	0 – 60psi	413 kPa	3/4" (20mm) FPT	2	64	2 7/8	72	1 3/8	35	3 5/8	92	1 3/16	30	1 5/16	33	.82	.37
IWTG-Gas 2	0 – 100psi	689 kPa	3/4" (20mm) FPT	2	64	2 7/8	72	1 3/8	35	3 5/8	92	1 3/16	30	1 5/16	33	.82	.37



Water Safety & Flow Control Products



USA: 815 Chestnut St., No. Andover, MA 01845-6098; www.watts.com

Canada: 5435 North Service Rd., Burlington, ONT. L7L 5H7; www.wattscanada.ca