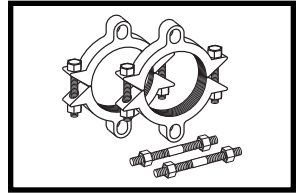


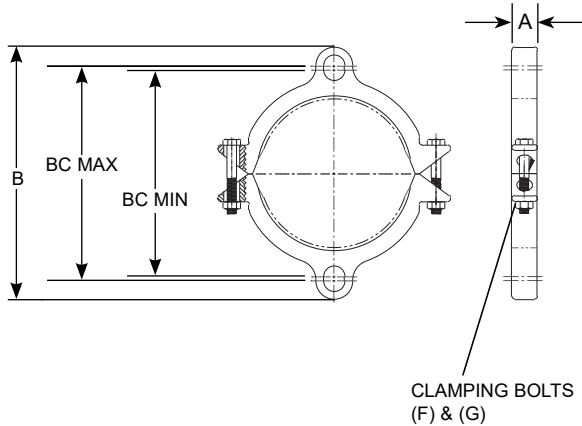
SUBMITTAL INFORMATION



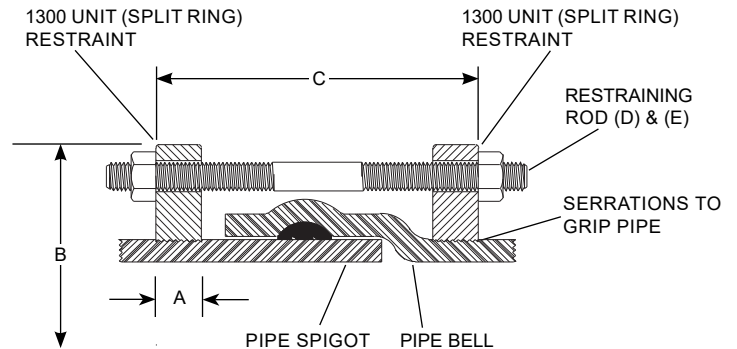
Uni-Flange® Restraint - (UFR1390-C-x-I style)

SERIES 1390-C RESTRAINT DEVICE FOR C900 PVC AND DUCTILE IRON PIPE BELL JOINTS
CAST SIZES 4" - 12"

1300 SPLIT RESTRAINT



1390 ASSEMBLY



NOM PIPE SIZE	PVC PIPE WITH DI PIPE OD STYLE 1390-C		A	B APPROX	C MAX	RESTRAINING RODS		CLAMPING BOLTS		BC MIN	BC MAX	APPROX. WEIGHT (LBS.)	✓ SUBMITTED ITEMS
	OD	CATALOG No.				No. D	SIZE E	No. F	SIZE G				
4"	4.80	UFR1390-C-4-I	1-1/8"	9-1/8"	15"	2	3/4" x 17"	4	5/8" x 3-1/2"	7.12"	7.50"	14.1	
6"	6.90	UFR1390-C-6-I	1-1/8"	11-1/8"	15"	2	3/4" x 17"	4	5/8" x 3-1/2"	9.14"	9.50"	18.2	
8"	9.05	UFR1390-C-8-I	1-1/4"	14-5/8"	15"	2	3/4" x 17"	4	3/4" x 4"	11.36"	13.00"	27.2	
10"	11.10	UFR1390-C-10-I	1-3/8"	16-5/8"	22"	4	3/4" x 24"	4	7/8" x 5"	13.19"	15.00"	54.3	
12"	13.20	UFR1390-C-12-I	1-3/8"	19-1/4"	22"	4	3/4" x 24"	4	7/8" x 5"	16.13"	17.62"	56.7	

FEATURES

- 4" - 12" sizes: Cast ductile iron per ASTM A536 grade 65-45-12
- Black e-coat epoxy coating
- 360° contact and support of the pipe wall
- Restraining Rods (included) - High strength, low alloy steel per ANSI / AWWA C111 / A21.11
- Side Clamping Bolts and Nuts - Grade 5, zinc-plated
- Rated at full rated pressure of any class of PVC pipe, minimum 2:1 safety factor
- Ductile iron pipe shall have the following pressure ratings: 4" through 8" = 250 psi
10" and 12" = 200 psi

The Ford Meter Box Company considers the information in this submittal form to be correct at the time of publication. Item and option availability, including specifications, are subject to change without notice. Please verify that your product information is current.



The Ford Meter Box Company, Inc.

P.O. Box 443, Wabash, Indiana U.S.A. 46992-0443

Phone: 260-563-3171 / Fax: 800-826-3487

Overseas Fax: 260-563-0167

www.fordmeterbox.com



06/17/19

Submitted By: