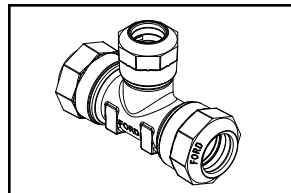
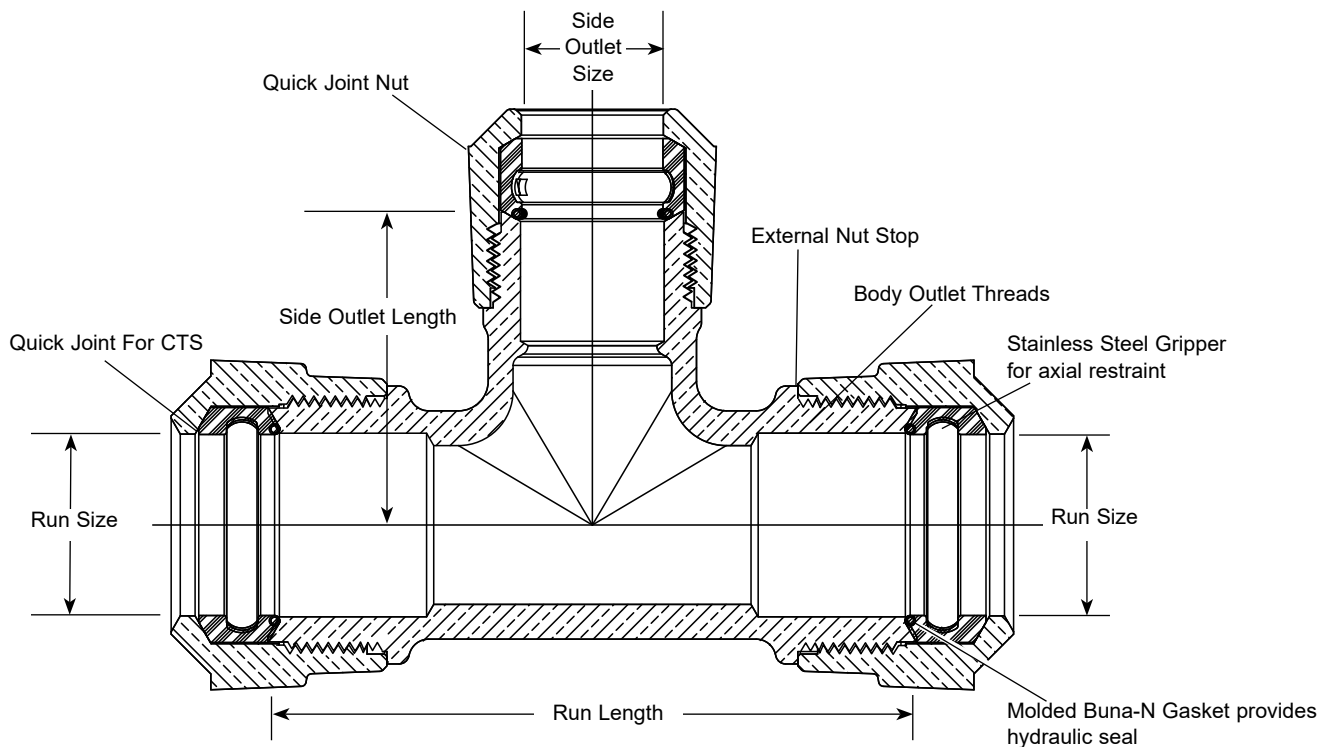


# SUBMITTAL INFORMATION

## Quick Joint Tee - (T444-xxx-Q-NL style)



QUICK JOINT FOR CTS TO QUICK JOINT FOR CTS BY QUICK JOINT FOR CTS



| BOTH ENDS (RUN SIZE) | SIDE OUTLET SIZE | RUN LENGTH | SIDE OUTLET LENGTH | APPROX Wt. LBS. | PART NUMBER   | ✓ SUBMITTED ITEM(S) |
|----------------------|------------------|------------|--------------------|-----------------|---------------|---------------------|
| 3/4"                 | 3/4"             | 3-5/16"    | 1-5/8"             | 1.5             | T444-333-Q-NL |                     |
| 3/4"                 | 1"               | 3-5/8"     | 1-15/16"           | 1.8             | T444-334-Q-NL |                     |
| 1"                   | 3/4"             | 4-3/32"    | 1-31/32"           | 2.5             | T444-443-Q-NL |                     |
| 1"                   | 1"               | 4-1/16"    | 2-1/16"            | 2.5             | T444-444-Q-NL |                     |
| 2"                   | 1"               | 5-1/64"    | 2-7/16"            | 4.9             | T444-774-Q-NL |                     |
| 2"                   | 2"               | 7-3/8"     | 3-11/16"           | 8.7             | T444-777-Q-NL |                     |

**Note:** Ford recommends using insert stiffeners with plastic pipe or tubing.

### FEATURES

- All brass that comes in contact with potable water conforms to AWWA Standard C800 (ASTM B584, UNS C89833)
- The product has the letters "NL" cast into the main body for lead-free identification
- Certified to NSF/ANSI Standard 61 and NSF/ANSI Standard 372 where applicable
- Brass components that do not come in contact with potable water conform to AWWA Standard C800 (ASTM B62 and ASTM B584, UNS C83600, 85-5-5-5)

The Ford Meter Box Company considers the information in this submittal form to be correct at the time of publication. Item and option availability, including specifications, are subject to change without notice. Please verify that your product information is current.



**The Ford Meter Box Company, Inc.**

P.O. Box 443, Wabash, Indiana U.S.A. 46992-0443

Phone: 260-563-3171 / Fax: 800-826-3487

Overseas Fax: 260-563-0167

www.fordmeterbox.com

06/26/18

Submitted By: