

General Duty Safety Switch

Type VBII, 200 Amp, 240 Volts, Type 1 (Indoor)

Standards and Ratings

- UL Listed under file #E4776
- Meets UL98 for switches and UL50 for enclosures
- Meets NEMA Standard KS-1 for enclosed switches
- Meets NEC wire bending space requirements
- Rated 10,000 AIC with Class H fuses or 100,000 AIC with Class R or T fuses
- Suitable for use as service entrance equipment

Features

- Quick-make and break switching action
- Double break visible blade design
- Highly visible ON/OFF indication
- Rugged installer friendly enclosure design
- Modular design allows quick and easy replacement of parts
- Single cover interlock

General Information

Catalog Number	Description	Shipping Weight (lbs.)
GF224N 1	2 Pole, 3 Wire, Fusible	47
GF324N	3 Pole, 4 Wire, Fusible	49
GNF324	3 Pole, 3 Wire, Non-Fusible	46

Horsepower Ratings ²

Catalog Number	1 Phase, 3 Wire, 240V AC		3 Phase, 3 Wire, 240V AC		250V DC
	Std	Max	Std	Max	
GF224N	15	—	25	60	40
GF324N	15	—	25	60	40
GNF324	—	15	—	60	40

Accessories

Catalog Number	Description
HG61234	Equipment Ground Lug Kit
HN64	Neutral Kit
HR64	Class R Fuse Clip Kit (3 fuse clips per kit) (GF324N, GF224N)
HT24	Class T Fuse Clip Kit (1-Pole per kit) (GF224N, GF324N)

Replacement Parts

Catalog Number	Description
HFB64	Fusible Line Side Replacement Base (GF224N, GF324N)
HBB64	Fusible Load Side Replacement Base (GF224N, GF324N)
HNB64	Non-Fusible Replacement Base (GNF324)
GH24	Replacement Handle/Handle Guard
HM64	Replacement Mechanism
HL64	Replacement Lugs (3 lugs per kit)

Mechanical Lug Wire Ranges (60/75°C, Cu/Al)

Description	Wire Range
Line, Load, Neutral	#6 AWG - 300 Kcmil
Neutral Ground	#14-1/0 AWG
Ground Lug Kit	#14-4 AWG

¹ These switches are UL Listed for application on grounded B phase systems.

² Dual horsepower ratings: Std - applies when non-time delay fuses are installed.
Max - applies when time-delay fuses are installed.

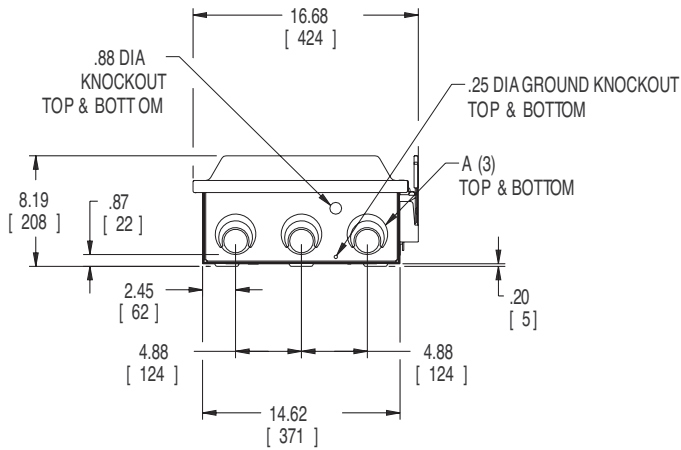
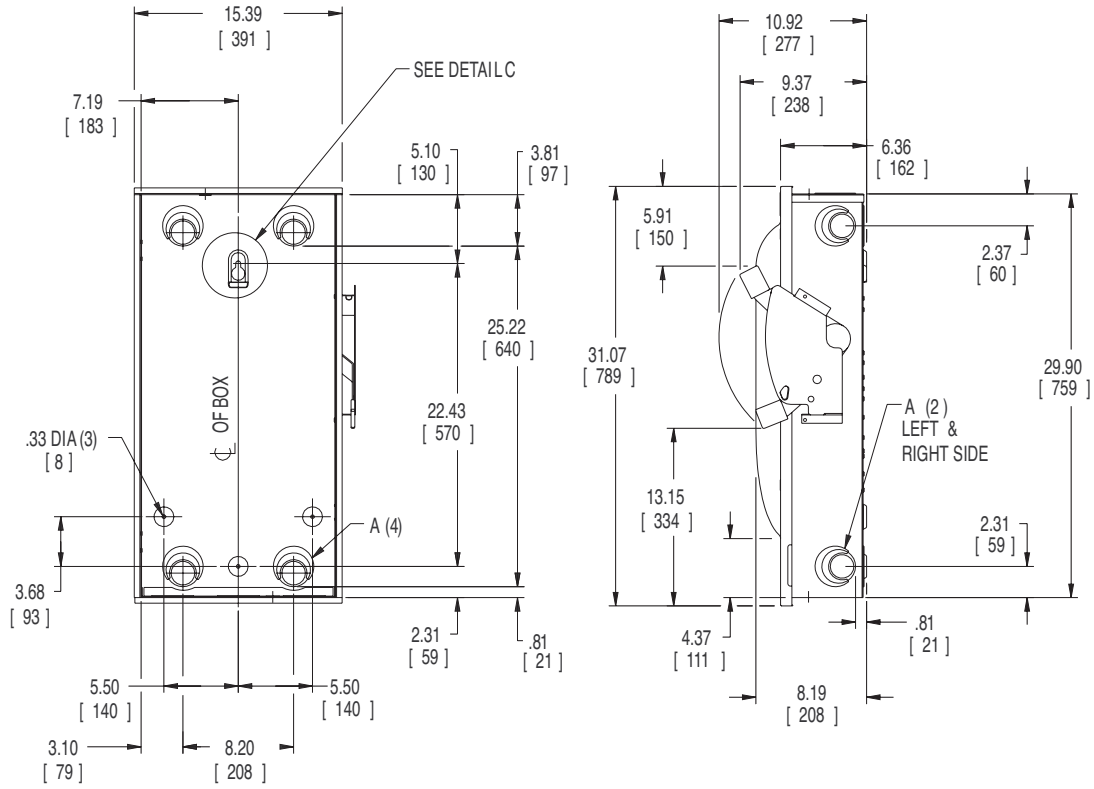
Product Specification Sheet GD200.1

Answers for industry.

SIEMENS

Product Specification Sheet #GD200.1 (page 2 of 2)

Dimension Drawing



Dimensions shown in inches and millimeters ().
Dimension shown accurate to $\pm \frac{1}{8}$ inch.

KNOCKOUT CODE	CONDUIT SIZE			
	1.25	1.50	2.00	2.50
A (Tangential)				

	LINE SIDE WIRE BEND	LOAD SIDE WIRE BEND
Fused	7.87 (200)	10.34 (263)
Non-Fused	7.87 (200)	15.84 (402)

Enclosure: Cold Rolled Steel
.054 Thick (17 Gauge)
Finish: ANSI Grey #61 Paint