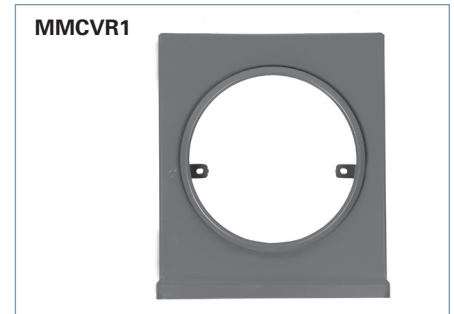
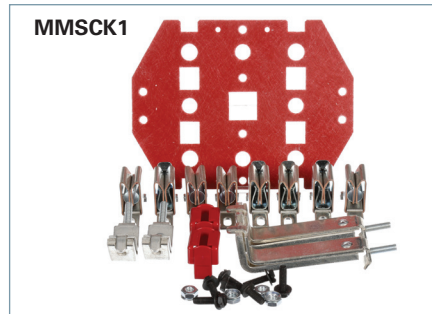
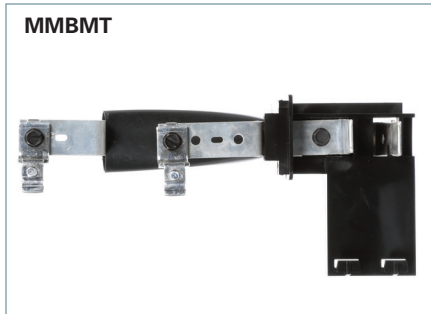


Meter Centers

OBSOLETE Modular Metering Replacement Parts Kits

Selection

2
METER
CENTERS



- All kits come with appropriate hardware and instruction sheet for safe installation
- Packages are stocked in specified Quantities and cannot be substituted or changed

Part Number	Description	Contents
Breaker Covers		
GMBC1 ^{①②}	Group Metering Breaker Cover - 125Amp Positions	One Top and bottom black plastic breaker cover piece, 1 gasket, and a locking clip
GMBC2 ^{①②}	Group Metering Breaker Cover - 200Amp Positions	Top and bottom black plastic breaker cover pieces, gasket, and locking clip
Meter Covers		
MMCVR1 ^①	Modular Metering Covers 125A Ring Style	1 Ringstyle meter cover welded with support brackets and painted
MMCVR1R ^①	Modular Metering Covers 125A Ringless	1 Ringless style meter cover welded with support brackets and painted
MMCVR2 ^①	Modular Metering Covers 200A Ring Style	1 Ringstyle meter cover welded with support brackets and painted
MMCVR2R ^①	Modular Metering Covers 200A Ringless	1 Ringless style meter cover welded with support brackets and painted
MMCVRLW	Modular Metering Bottom Cover (neutral access cover)	Smallest (bottom) cover on meter stack and screw included
MMCVRSCR	Modular Metering Cover Screws	Bag of 10 screws
PAKMCVRR ^②	Tenant cover for Ring Style Uni-Pak Meter Center	1 Ringstyle meter cover welded with support brackets and painted
PAKMCVRL ^②	Tenant cover for RingLess Uni-Pak Meter Center	1 Ringless style meter cover welded with support brackets and painted



Meter Socket/Breaker Mounting

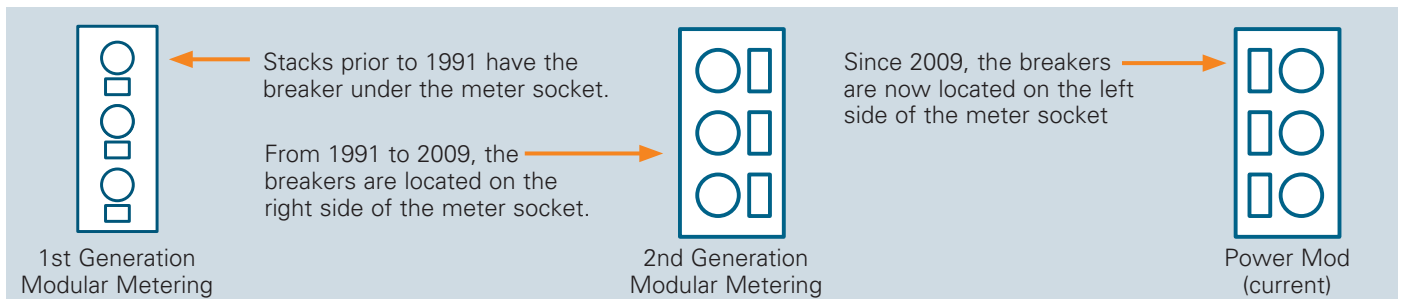
MIMBMT1 ^①	Modular Metering Breaker Mounting S/A 125A	Breaker Mounting assembly includes provision for 125 or 200A breaker
MIMBMT2 ^①	Modular Metering Breaker Mounting S/A 200A	
MMSC1 ^{①②}	Modular Metering Meter Socket Assembly 125A	Meter Socket assembly includes jaws, straps, and hardware – see picture above
MMSC2 ^{①②}	Modular Metering Meter Socket Assembly 200A	
MMSRPK ^③	Replacement parts for 125A pre-1991 modular metering (see tip below)	1 red plastic base, 4 jaws and connecting line straps

Loose Parts Kits^①

MMPK11	Modular Metering Loose Parts Kit 125A 1 PHASE	All loose screw bags, labels, instruction sheet and aluminum sealing ring (No SBJ)
MMPK13	Modular Metering Loose Parts Kit 125A 3 PHASE	
MMPK21	Modular Metering Loose Parts Kit 200A 1 PHASE	
MMPK23	Modular Metering Loose Parts Kit 200A 3 PHASE	

- ① Fits modular metering made from 1992-2009 and PAK devices from 1992-2003.
- ② Fits PAK devices from 2004-2011
- ③ Fits 125A modular metering made from 1980-1991 ONLY. No other replacement parts available.

Tips



Multi-family
Metering