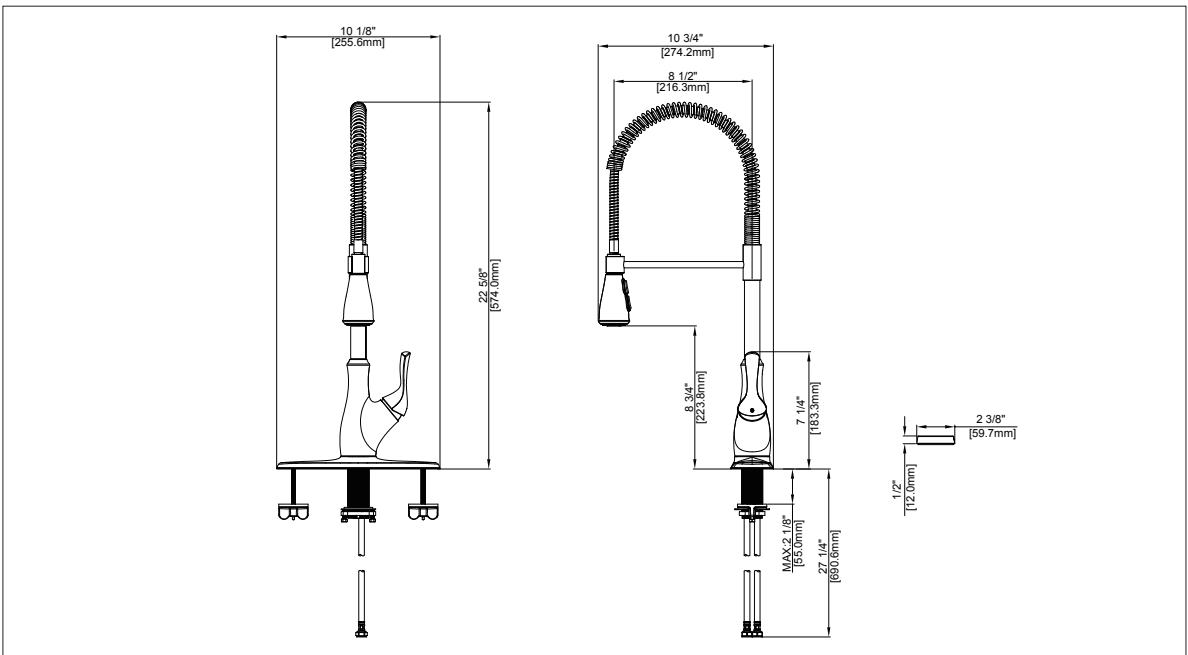
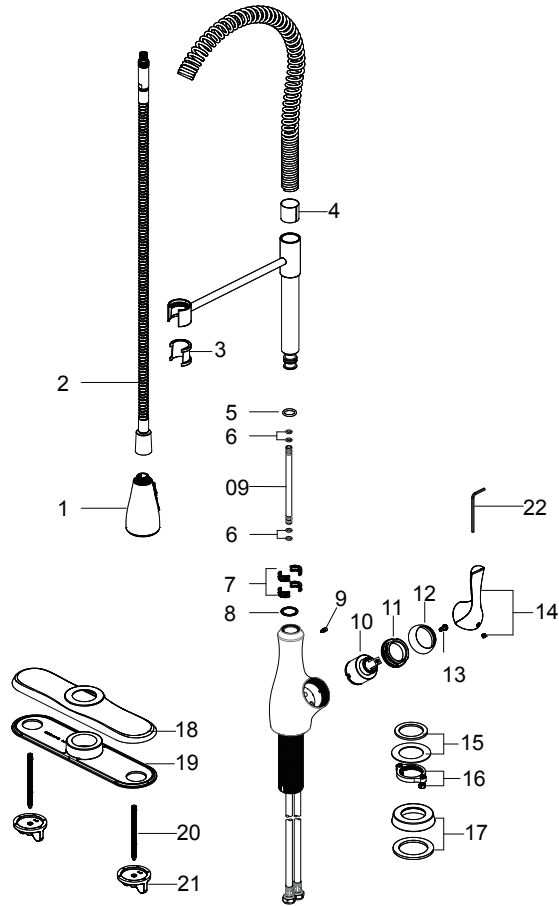


Single Handle Industrial Kitchen Faucet

No.	Name	Part No.
1	Spray head / Cabezal de rociado	RP38241 *
2	Hose / Manguera	RP70618
3	Inverter / Invertidor	RP64201
4	Washer / Arandela	RP64242
5	O-ring / Aro tórico	RP60008
6	O-ring / Aro tórico	RP60123
7	Washer / Arandela	RP64050
8	Washer / Arandela	RP64150
9	Screw / Tornillo	RP50145
10	Cartridge / Cartucho	RP20044
11	Bonnet / Bonete	RP70533
12	Cap / Tapa	RP80028 *
13	Screw / Tornillo	RP50015
14	Handle / Llave	RP13571 *
15	Rubber washer & Metal Washer / Arandela de goma y Arandela metálica	RP64241
16	Nut & Screw / Tuerca y Tornillo	RP56123
17	Flange / Brida	RP80463 *
18	Escutcheon / Placa protectora	RP80461 *
19	Gasket / Junta	RP80462
20	Bolt / Perno	RP50071
21	Mounting Nut / Tuerca de montaje	RP56109
22	Hex Allen Wrench / Hex Llave Allen	RP70221

* Specify Finish
* Especifique el Acabado



Product Spec Sheet