



4675 W. 160th St.
Cleveland, Ohio 44135
Ph: (800) 321-9532
Fax: (800) 321-9535
www.dearbornbrass.com

SUBMITTAL SPECIFICATION

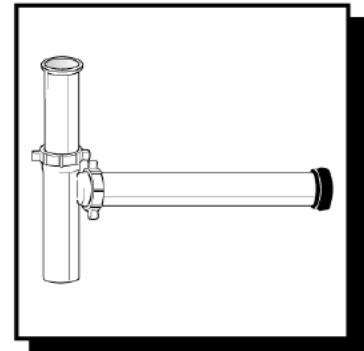
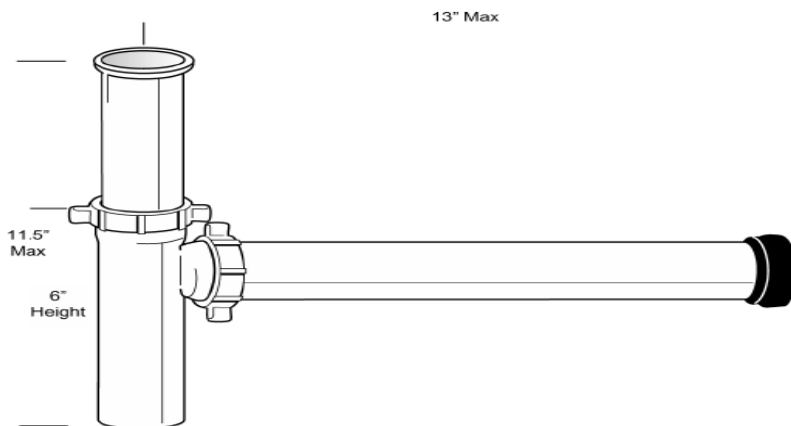
1-½" PLASTIC TUBULAR DISPOSER KITS

Engineering Specification: Dearborn Brass 1-½" Plastic Disposer Kits are designed for use in tubular drain applications. Options include Premium True Blue Premium Washers for superior sealing. Available in white or black polypropylene plastic.

Job Reference

DESCRIPTION

- Made of polypropylene plastic
- Plastic Tubular Disposer Kits
 - Outlet Tee
 - (2) Flange Tailpieces
 - Discharge Gasket
 - (2) Slip Joint Nuts
 - (2) Washers



- Meets ASTM F 409
- IAPMO Listed



✓	Product No.	Description	Carton Quantity	Carton Weight (lbs)
	P9100	1-½" Disposer Kit for In-Sink-Erator – White	25	14.6
	A9100	1-½" Disposer Kit for In-Sink-Erator – Black	25	16.0
	P9100B	1-½" Disposer Kit for In-Sink-Erator – White, Bagged	25	11.1
	A9100B	1-½" Disposer Kit for In-Sink-Erator – Black, Bagged	25	18.0
	P9100T	1-½" Telescopic Disposer Kit for In-Sink-Erator or GE – White	25	20.0
	A9100T	1-½" Telescopic Disposer Kit for In-Sink-Erator or GE – Black	25	17.0
	P9100TB	1-½" Telescopic Disposer Kit for In-Sink-Erator or GE – White, Bagged	25	13.2
	A9100TB	1-½" Telescopic Disposer Kit for In-Sink-Erator or GE – Black, Bagged	25	12.2
	P9100GE	1-½" x 15" Disposer Kit for GE – White	25	19.7
	P9100GEB	1-½" x 15" Disposer Kit for GE – White, Bagged	25	14.3
	A9100GEB	1-½" x 15" Disposer Kit for GE – Black, Bagged	25	12.1
	P9103	1-½" x 13" Master Disposer Kit – White	25	23.5
	P9100WB	1-½" Disposer Kit for In-Sink-Erator with True Blue Premium Washers – White, Bagged	25	11.1
	A9100WB	1-½" Disposer Kit for In-Sink-Erator with True Blue Premium Washers – Black, Bagged	25	18.0

Data is subject to manufacturing tolerances.

