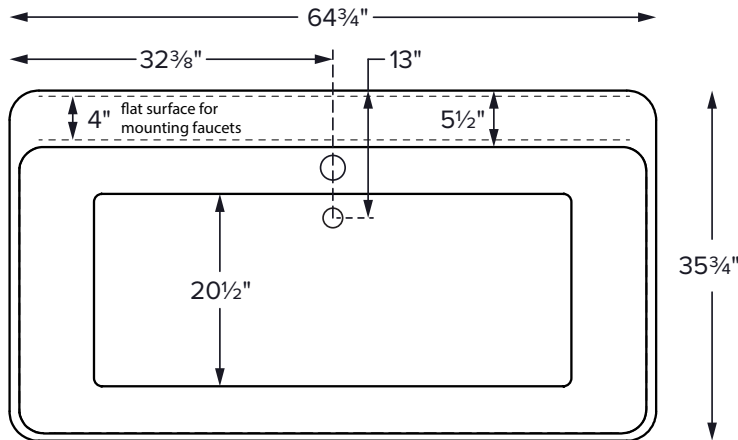




Quinn

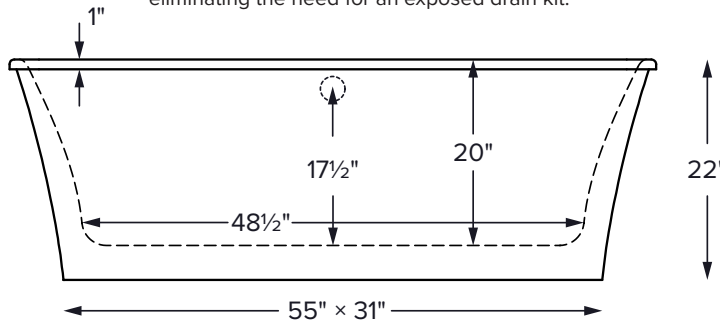


64.75" x 35.75" x 22"		
FREESTANDING 75 gal to overflow		
Acrylic CXL™		DoloMatte™
120 lbs / 54 kg	<SOAKER>	135 lbs / 61 kg
Filling this tub to the maximum may require an above average size or dedicated water heater.		



Features a 4"-wide flat deck surface on the drain side for mounting faucetry. The drain and overflow assembly is concealed between the walls of the tub, eliminating the need for an exposed drain kit.

NOTE: Tub includes an access panel (standard), for drain installation. Depending on how the tub is positioned, the panel may be visible.



ELECTRICAL COMPONENTS & SPECIFICATIONS

Hydrotherapy Package	Components Included	110V GFCI
Air Massage	heated blower	1-15 amp

Electrical requirements may change with the addition of optional therapy components. See specific [option details](#) or [installation information](#).
CSA Certified C/US; ANSI Z124.1 and ANSI 112.19.7

IMPORTANT ORDERING & INSTALLATION INFORMATION:

- Before ordering or installing, please consider future access to equipment.
- This tub comes equipped with an access panel to facilitate installation of valves and the waste and overflow.
- Air baths require job site preparations for remote mounting the blower.
- Hydrotherapy equipment may ship loose for remote installation depending on tub model. See package content on the following page for details.
- MTI will eliminate the access panel upon request. Installation will be more difficult.
- Radiance placed on floor locations will affect placement of air jets.
- All tubs are in accordance with CSA B45.5/IAPMO Z124 standard and compliant with ASTM C 1028-07 coefficient of friction. Dolomatte meets ANSI A137.1/A326.3 coefficient of friction and AS HB198:2014 pendulum slip resistance testing.

• Before discarding tub crate, check for accessories that may be packaged inside.
• All product measurements are ±1/2".
• Specifications and configurations are subject to change without notice.
• Measurements herein supersede all others published prior to publication date below.



Quinn
64.75" x 35.75" x 22"

Hydrotherapy Packages	Package Contents	Acrylic CXL™		DoloMatte™	
		Part #	MSRP	Part #	MSRP
Soaker	Soaking bath - no jets; includes a pre-leveled foam base.	COBS551	\$4,100	COBS551DM	\$4,900
Air Massage	20 air jets, heated air blower, pre-leveled foam base. Blower and control boxes must be remote located.	COBAST551	\$7,750	COBAST551DM	\$8,550

Color Options
Pricing is MSRP. Part codes listed in parentheses.
Standard Colors - White (CWH), Biscuit (CBS)
Premium Options
Radiance - integrated tub shell heating system (RAD100) \$1,595
Chromatherapy - underwater LED lighting (LE) \$800
Stereo H₂O - Standard System - includes 4 integrated audio transducers with leads to connect to an external audio source (STEREOH202) \$1,575 Bluetooth System - integrated Bluetooth system allows you to directly connect to an applicable device (STEREOBT) \$1,390 (BTREMOTE) \$600
Drain Kits
Other finishes also available
Quick Drain Kit - (WOQ) \$460
Lift & Turn
Chrome (WOC) \$185 Brushed Nickel (WOBN) \$305
Toe-Tap with Slim-Line Integrated Overflow
Chrome (SLOT) \$500 Brushed Nickel (SLOTBN) \$530 Polished Nickel (SLOTPN) \$555 White (SLOTW) \$430
Toe-Tap with Rectangular Overflow
Chrome (WOTRC) \$470 Brushed Nickel (WOTRBN) \$430 White (WOTRW) \$525
Toe-Tap with Round Overflow
Chrome (WOTTC) \$380 Brushed Nickel (WOTTBN) \$385 Polished Nickel (WOTTPN) \$385
Cable Driven
Chrome (WOC) \$410 Brushed Nickel (WOCDBN) \$490 Polished Nickel (WOCDPN) \$540 Oil-Rubbed Bronze (WOCDOB) \$550

Standard Options and Accessories
Pricing is MSRP. Part codes listed in parentheses.
Quick Ship - reduces lead time - please call for availability (QSPRI) \$430
Textured Bottom (TXTBTM) no charge
Virtual Spout - high-flow integrated tub filler (FPMJ) \$450
Decorative Towel Bar Chrome (CHTOWEL) \$545 Brushed Nickel (BNTOWEL) \$545
Grab Bars - 9" Curved, set of 2 Acrylic - color-matched with tub standard colors only (GB) \$330 Metal - Chrome (GBMC), Brushed Nickel (GBMBN) \$360
Pillows - from \$180 See pillows pricing and specs online
Teak Tub Tray - Slatted (TK-TRAY1) \$500 or Solid (TK-TRAY2) \$570
Teak Bath Mat (TKMAT3018) custom sizes also available \$815

For complete options information and specifications, visit mtibaths.com.



Inside view of tub

