

58 Log Lighter Gas Valve • Spec Sheet

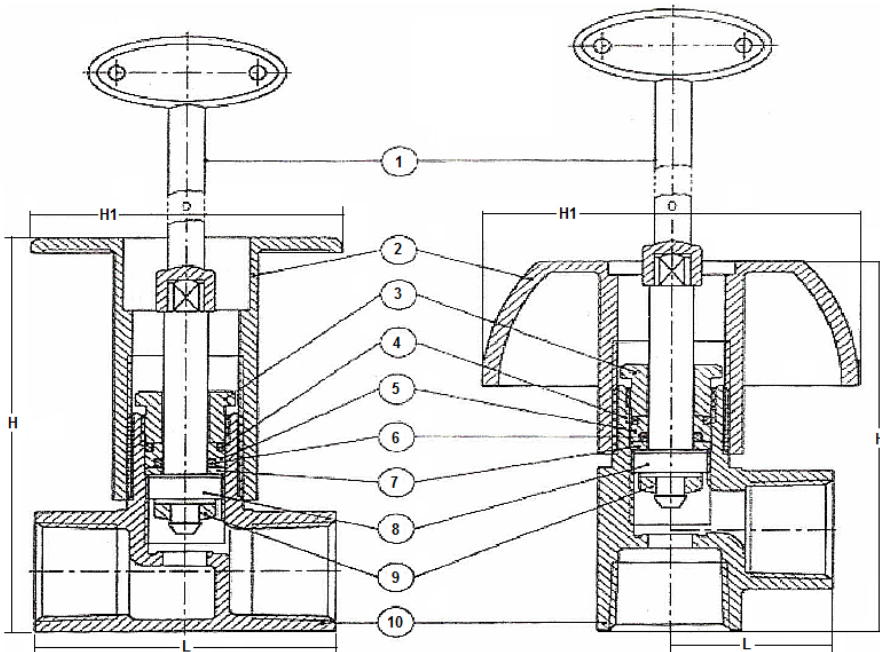


FEATURES & BENEFITS

- ISO-9002
- Log Lighter Valve
- Complete Kit: Valve, Escutcheon, 3" Key
- CSA Approved
- ANSI Z21.15
- Chrome-Plated or Polished Brass
- FIP 1/2"
- Straight - **58-STR03**
- Angle - **58-ANG03d**

DIMENSIONS

Size	Part #	L	H	H1
1/2"	58-STR03	2.09	3.35	2.17
3/4"	58-ANG-04	1.14	3.07	2.62



MATERIAL SPECIFICATIONS

No.	Part	Material
1	T-Handle	Zinc (Z30 A)
2	Cover	Zinc (Z30 A)
3	Packing Nut	Brass (ASTM B16 C36000)
4	O-Ring	Rubber NBR (SAE No 1052)
5	O-Ring House	PTFE (M-392)
6	O-Ring	Rubber NBR (SAE No 1052)
7	Washer	Stainless Steel (304/306)
8	Stem	Brass (ASTM B16 C36000)
9	Seat Packing	PTFE (M-392)
10	Body	Brass (ASTM B584 C85710)

MATCO-NORCA
 Global sourcing. National compliance. Local service.

CALIFORNIA 5593 Fresca Dr., La Palma CA 90623 • Toll Free: 866-532-8306 • Fax: 866-532-8307
TEXAS 1150 Silber Rd., Houston TX 77055 • Toll Free: 800-935-5456 • Fax: 713-680-2999
NEW YORK PO Box 27, Rt. 22, Brewster NY 10509 • Toll Free: 800-431-2082 • Fax: 845-278-9056
 WEB: www.matco-norca.com EMAIL: mail@matco-norca.com