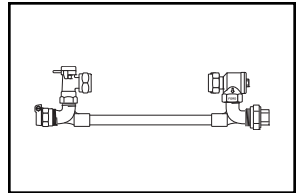


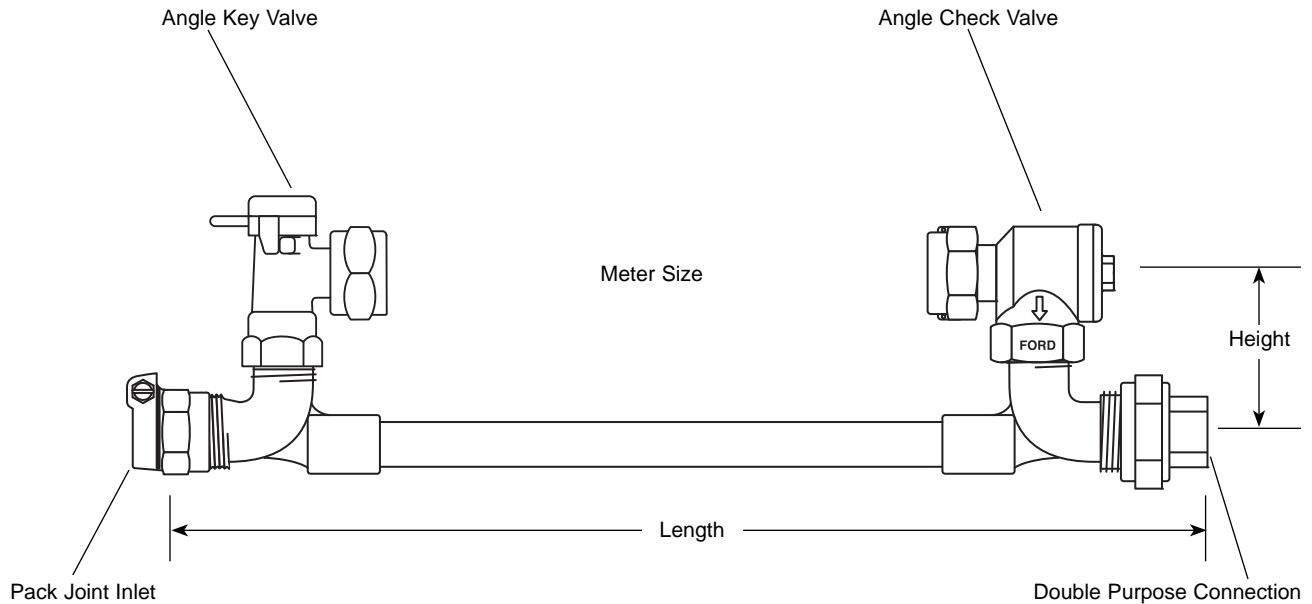
# SUBMITTAL INFORMATION

## Linesetter - (LSVH41-xxxW-NL style)



ANGLE KEY VALVE BY ANGLE CHECK VALVE

PACK JOINT INLET AND DOUBLE PURPOSE OUTLET



### Linesetter Part Number

METER SIZE	LENGTH	HEIGHT	APPROX. WT. LBS.	CATALOG NUMBER	✓ SUBMITTED ITEM(S)
5/8"	15-3/4"	3"	5.0	LSVH41-133W-NL	
5/8" X 3/4"	15-3/4"	3"	5.2	LSVH41-233W-NL	
1"	20-3/8"	3-1/2"	8.9	LSVH41-444W-NL	

**Note:** Ford recommends using insert stiffeners with plastic pipe or tubing.

### FEATURES

- All brass that comes in contact with potable water conforms to AWWA Standard C800 (ASTM B584, UNS C89833)
- The product has the letters "NL" cast into the main body for lead-free identification
- Brass components that do not come in contact with potable water conform to AWWA Standard C800 (ASTM B62 and ASTM B584, UNS C83600, 85-5-5-5)
- All Ford Setters are assembled with lead-free solder
- Linesetters for 1" meters shall include brace eyes
- Double purpose union swivels will accommodate male iron pipe threads of flare copper

The Ford Meter Box Company considers the information in this submittal form to be correct at the time of publication. Item and option availability, including specifications, are subject to change without notice. Please verify that your product information is current.



**The Ford Meter Box Company, Inc.**

P.O. Box 443, Wabash, Indiana U.S.A. 46992-0443

Phone: 260-563-3171 / Fax: 800-826-3487

Overseas Fax: 260-563-0167

www.fordmeterbox.com

02/24/16

Submitted By: